

# Connectivity & mobility

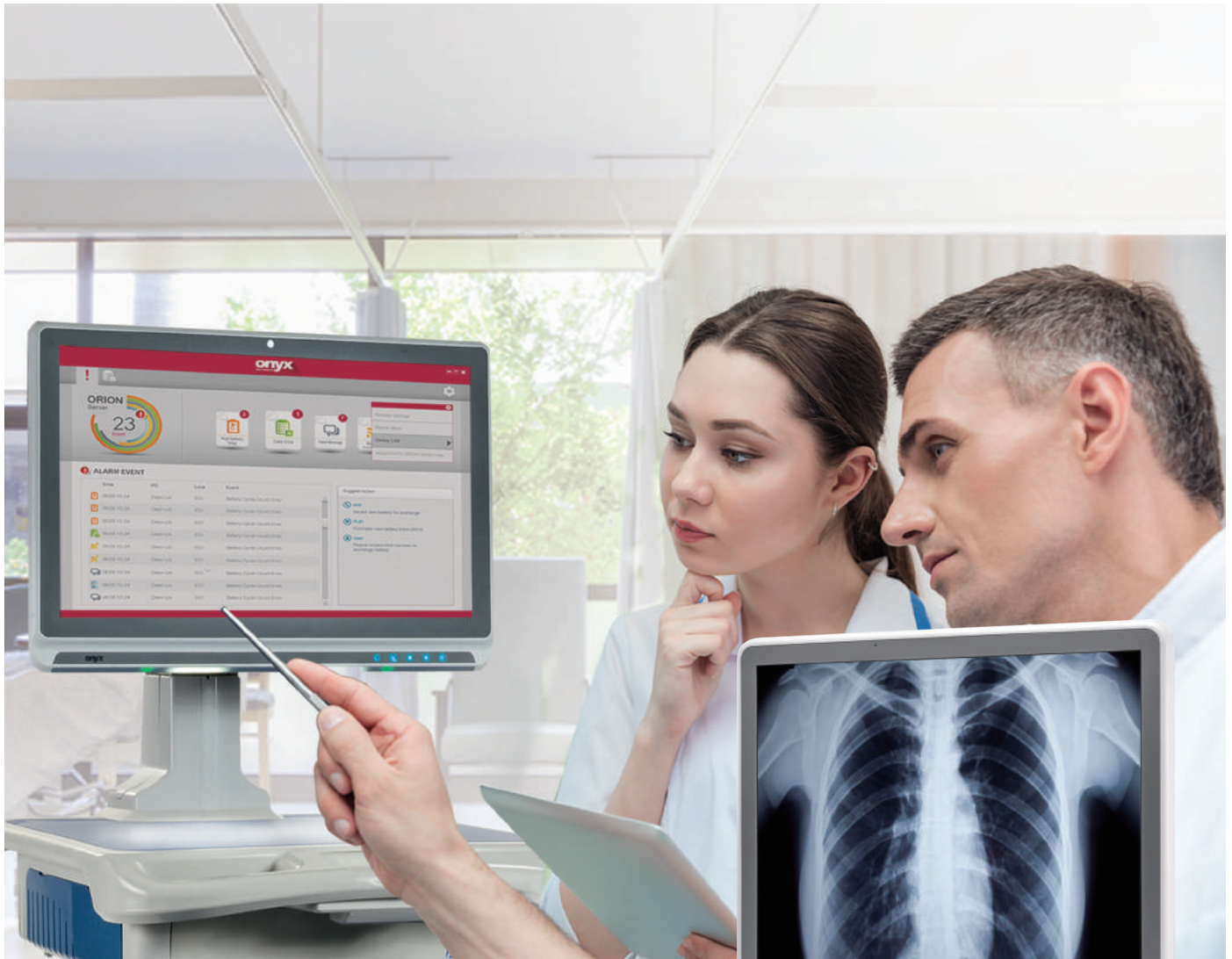


MedLINC

2019  
Product Catalogue  
[www.onyx-healthcare.com](http://www.onyx-healthcare.com)

# Mobile Cart Computing Solution

Onyx has developed an all in one panel computer that provides 24/7 non-stop service and offers true mobility. Venus, the medical portable computer, features dual hot swaptable batteries system and universal mounting slots. The battery system allow users to replace one of the batteries without turning the computer off .Also, the dual batteries design supply a very long running time and short charging time. Lightweight design with Magnesium alloy rear cover provides high strength and great heat dissipation, and it has mounting slots that will fit any medical cart. Small features that come with the unit such as RFID, reading light bar, and smart card scanner come in handy for the operator.



- » » Highest level of medical safety protection, EMC4.0 / Safety3.1
- » » Built-in dual battery to provide Max 260Wh power for standing 18 hours operating.
- » » Support running as 24/7 by swapping batteries.
- » » With magnesium alloy rear cover provides high strength , light weight ,and great heat dissipation.
- » » ORION, Hospital IT Management Software Padeage.
- » » Hi-speed recharge, flexible mounting type



## + No pending for charging

Swappable batteries are small and light enough to be changed with one hand while also providing long-lasting, nonstop power.



## + Cleanability with Hospital Solvents

Venus Series was designed for using in hospital environment. The Front IP65 waterproof and non-gap design was made it more easy to be clean with hospital solvent, and fit almost all the cleaning strategies.



## + Easy to management remotely (ORION)

ORION, a hospital IT management software package. Remotely monitor battery status including charging cycles, temperature, capacity, and usage statistics, or set custom reminders.



## + TPM

A Trusted Platform Module increase privacy and security utilizing hardware-encryption with files to ensure sensitive information remains safe and secure.



## + External output

24W DC output connector supplies power to additional medical devices



## + Lightweight design

Magnesium alloy construction and 300g batteries ensure the unit is sturdy, yet easy to carry, position and handle.



## Successful Story

The Venus-Mobile Cart Computer was chosen for use by our nursing staff at the Taiwan Chiang Kai-shek Memory Hospital. The swappable battery saves my time so I can spend more time taking care of more patients. I no longer need to push around a heavy cart from room to room or always look for a socket to charge the battery. I love the lightweight battery and cableless design of Venus which makes the cart lighter and gives me the mobility to move effortlessly and work efficiently. I recommend the Venus series as a practical and useful medical computer for nurses and hospitals.

Hospital : Chiang Kai-shek Memory Hospital  
 Nurse : Lucy Wu  
 Location : Taiwan  
 Benefit : \* Extremely  
           \* No idle time, Better Efficiency  
           \* Perfect battery SW

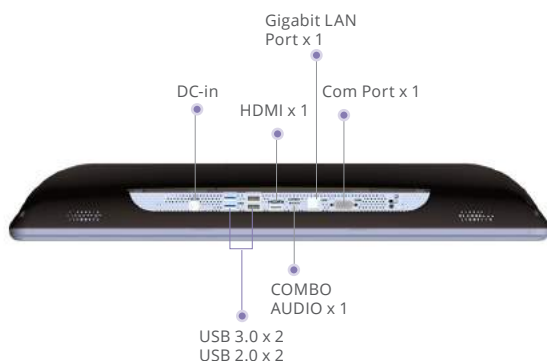
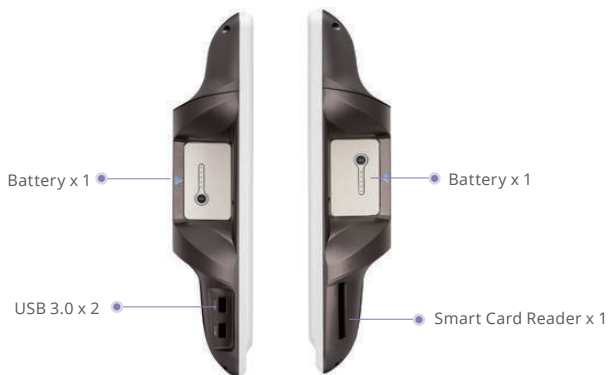
*Venus*  
 Mobile Cart Computer



## Mobile Cart Computer

# Venus-243

24" 24/7 Self-Power Medical Cart Computer



## Features

- Highest level of medical safety protection , EMC4.0/ Safety 3.1
- Cleanability with Hospital Solvents (front IP65)
- Hot swappable design, support 24/7 run time
- Intel® Skylake Dual-Core i5
- Support remote monitor/control/update (ORION compatible)
- Lightweight design
- HDMI 1.4
- Win10 64 bit compatible

## Specifications

### Main Specifications

Processor	Intel® Skylake Dual-Core i5
System Memory	DDR4 up to 32GB
OS Support	Microsoft® Windows 7 (32/64bit) Microsoft® Windows 8.1 (64bit) Microsoft® Windows 10 (64bit) Ubuntu 14.04 LTS IGEL (thin client solution)
Graphics	Intel® HD Graphics 520
Storage	SSD up to 512GB (optional)
Wireless Communication	802.11 ac/a/b/g/n + BT (optional)
Touch	PCT
Speaker	2W x2
Security	TPM 2.0 (Trusted Platform Module), Smart Card Reader, RFID ISO 15693/14443A (optional)

### Display

Display Size	23.8" VA panel
Resolution	1920 x 1080
Max. Colors	16.7M
Contrast Ratio	3000:1
Luminance (cd/m2)	250

### I/O

USB	Rear I/O: USB 3.0 x 2, USB 2.0 x 2 Side I/O : USB 3.0 x 2
Video Out	HDMI 1.4 x1
COM	COM port x1
Audio	Combo audio port x1
Security	Kensington slot
Ethernet	Gigabit LAN x1
DC-in	24V DC-in x1

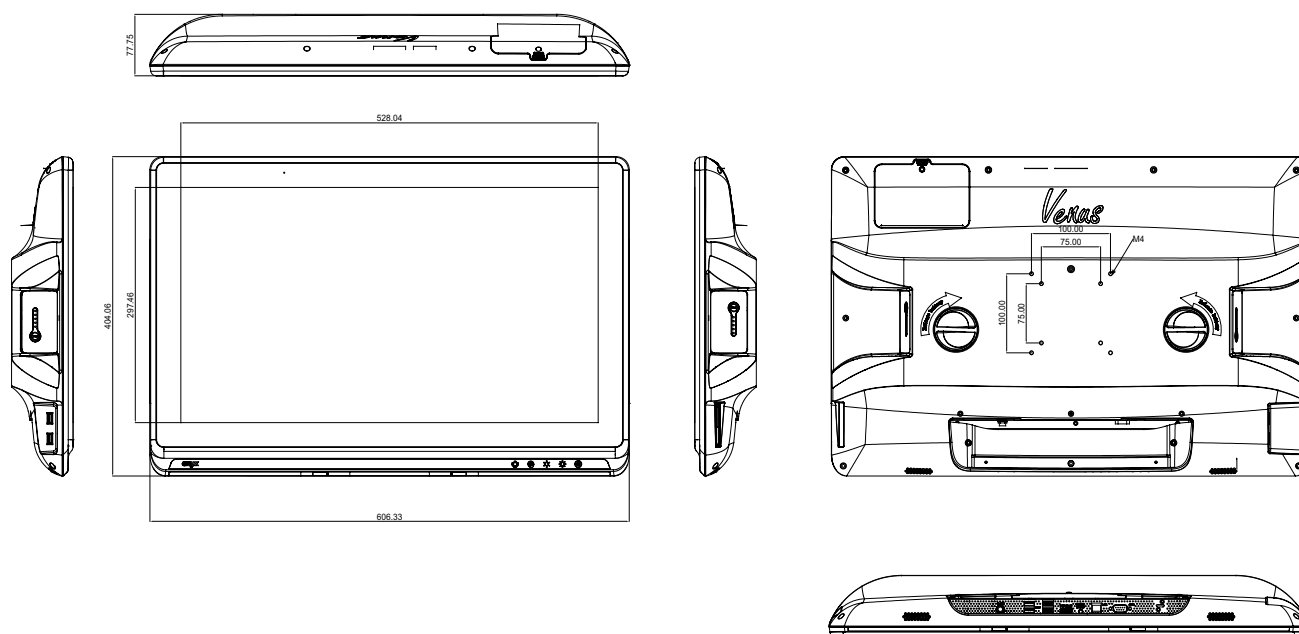
### Mechanical and Environmental

VESA	75/100 mm VESA mount
Operating Temperature	0°C ~ 40°C(32°F ~ 104°F)
Storage Temperature	-20°C ~ 60°C(-4°F ~ 140°F)
Storage Humidity	10%~95%@35°C, non-condensing
Dimension	528(L) x 78(W) x 404(H) mm
Net Weight without Battery	8kg (17.6 lbs)
Net Weight with XL Battery	9kg (19.84lbs)
Packing Size	745(L) x 255(W) x 558(H) mm
Gross Weight	11.5kg (24.3 lbs)
Certifications	CE: EN 60601-1-2:2015(V4.0), EN 60601-1:2006/ A1:2013(V3.1) FCC: Part 18 Class B UL: ANSI/AAMI ES60601-1:2012 (V3.1) cUL: CAN/CSA-C22.2 No. 60601-1:2014 (V3.1)

ALL PRODUCT, PRODUCT SPECIFICATIONS AND DATA ARE SUBJECT TO CHANGE WITHOUT NOTICE TO IMPROVE RELIABILITY, FUNCTION OR DESIGN OR OTHERWISE.

## 24" 24/7 Self-Power Cart Computer

Dimension / Unit: mm



### Ordering Information

- » VENUS-243ST-A5-1010  
Cart Computer.i5.24".Fanless.PCT.4G RAM.SCR.TPM. XL Battery x2

### Optional Accessories

- » 1255301501  
Medical Adaptor. 100-240V/1.0-2.5A 24V/6.25A 150W
- » 968C128G3H  
128G 2.5" SSD
- » OPM-S02R-A1  
RFID Reader Kit
- » OPM-C10W-A0  
WLAN dual band module kits. INTEL 802.11ac/a/b/g/n+BT
- » OPM-C07W-A2  
WLAN dual band module kits. Atheros 802.11a/b/g/n + BT 4.0
- » UP-L62-A1-1010  
6-Slot Charger + 24V/250W adaptor
- » UP-P22-A2-1010  
2-Slot Charger + 24V Medical adaptor

## Mobile Cart Computer

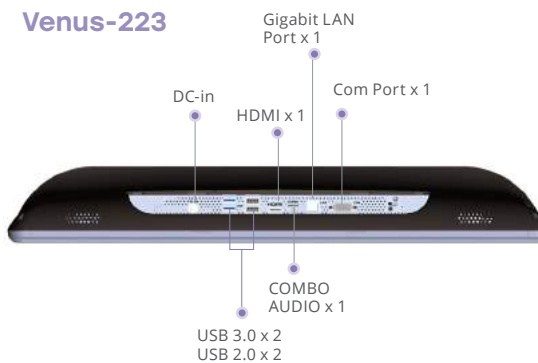
# Venus-223 / Venus-222

22" 24/7 Self-Power Medical Cart Computer

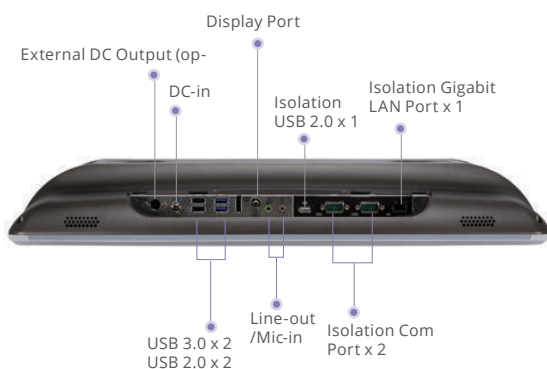


Battery x 1  
USB 3.0 x 2  
Smart Card Reader x 1

### Venus-223



### Venus-222



## Features

- Highest level of medical safety protection
- Cleanability with hospital solvents (front IP65)
- Hot swappable design, support 24/7 run time
- Intel® Skylake Dual-Core i5 / Quad-Core J1900
- Support remote monitor/control/update (ORION compatible)
- Lightweight design
- Front reading light bar

## Specifications

### Main Specifications

	Venus-223	Venus-222
Processor	Intel® Skylake Dual-Core i5	Intel® Quad-Core J1900
System Memory	DDR4 up to 32GB	DDR3L up to 8G
OS Support	Microsoft® Windows 7 (32bit/64bit) Microsoft® Windows 8.1 (64bit) Microsoft® Windows 10 (64bit) Ubuntu 14.04 LTS IGEL (thin client solution)	Microsoft® Windows 7 (32bit/64bit) Microsoft® Windows 8.1 (32bit/64bit) Microsoft® Windows 10 (32bit / 64 bit) IGEL (thin client solution)
Graphics	Intel® HD Graphics 520	Intel® HD Graphics
Storage	SSD up to 512GB (optional)	
Wireless Communication	802.11 ac/a/b/g/n + BT 4.0 (optional)	
Camera	2MP/5MP camera (optional)	
Touch	PCT (optional), R-TS	
Speaker	2W x2	
Security	TPM 2.0	TPM 1.2
	Smart Card Reader, RFID ISO 15693/14443A (optional)	
Auto Brightness	Light sensor	

### Display

Display Size	21.5" VA panel
Resolution	1920 x 1080
Max. Colors	16.7M
Contrast Ratio	3000:1
Luminance (cd/m2)	250

### I/O

USB	Rear I/O : USB 3.0 x2, USB 2.0 x2 Side I/O : USB 3.0 x2	Rear I/O : USB 3.0 x2, USB 2.0 x2, Isolated USB x1 Side I/O : USB 3.0 x2
Video Out	HDMI 1.4 x1	DP x1
COM	COM port x1	Isolated COM port x2
Audio	Combo audio port x1	Mic-in x1, Audio-out x1
Security	Kensington slot	N/A
Ethernet	Gigabit LAN x1	
DC-in	24V DC-in x1	

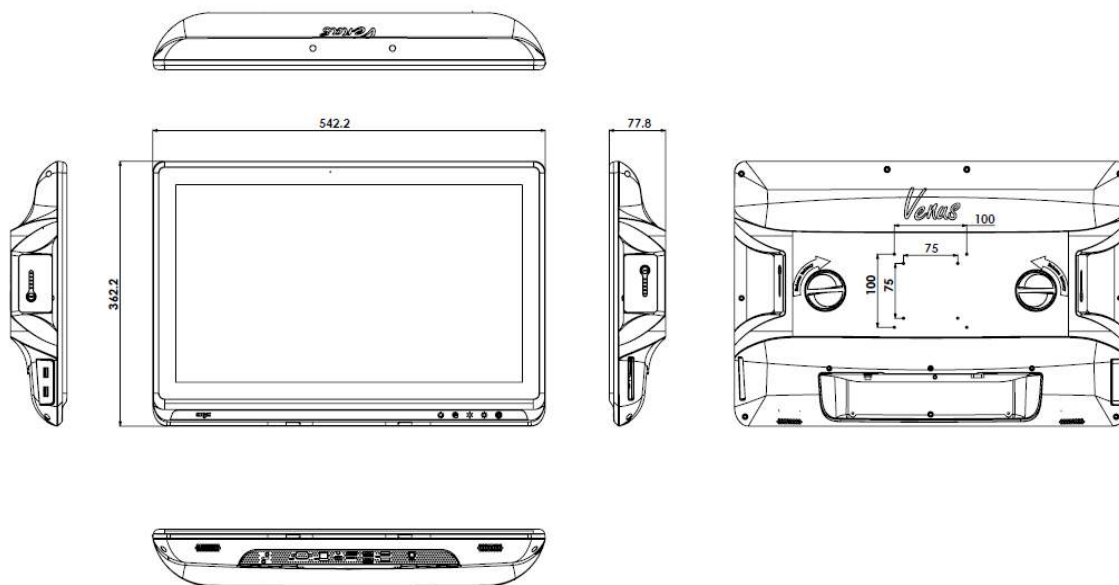
### Mechanical and Environmental

VESA	75/100 mm VESA mount
Operating Temperature	0°C ~ 40°C(32°F ~ 104°F)
Storage Temperature	-20°C ~ 60°C(-4°F ~ 140°F)
Storage Humidity	10%~95%@35°C, non-condensing
Dimension	542(L) x 78(W) x 362(H) mm
Net Weight	7kg (15.4 lbs)
Packing Size	680(L) x 270(W) x 530(H) mm
Gross Weight	10.5kg (23.15 lbs)
Certifications	CE: EN 60601-1-2:2015(V4.0), EN 60601-1:2006/ A1:2013(V3.1) FCC: Part 18 Class B UL: ANSI/AAMI ES60601-1:2012 (V3.1) cUL: CAN/CSA-C22.2 No. 60601-1:2014 (V3.1)

ALL PRODUCT, PRODUCT SPECIFICATIONS AND DATA ARE SUBJECT TO CHANGE WITHOUT NOTICE TO IMPROVE RELIABILITY, FUNCTION OR DESIGN OR OTHERWISE.

## 22" 24/7 Self-Power Cart Computer

## Dimension / Unit: mm



## Ordering Information

- » VENUS-223ST-A5-1010  
Cart Computer. i5 22". Fanless. PCT. 4G RAM. SCR. TPM. XL Battery x2
- » VENUS-222ET-A1-1010  
Cart Computer. J1900. 22". Fanless. R-TS. 4GB RAM. SCR. TPM. Battery x2

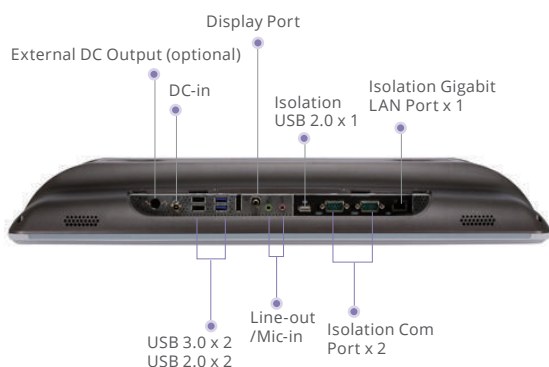
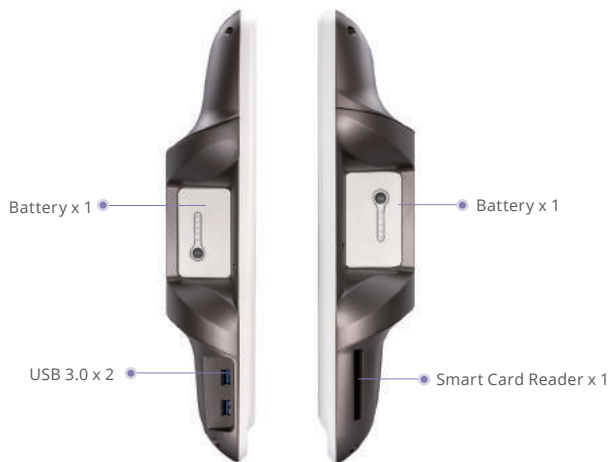
## Optional Accessories

- |  |   |
|--|---|
| <ul style="list-style-type: none"> <li>» 1255301501<br/>Medical Adaptor. 100-240V/1.0-2.5A 24V/6.25A 150W</li> <li>» 968C128G3H<br/>128G 2.5" SSD</li> <li>» OPM-S02R-A0<br/>RFID Reader Kit</li> <li>» OPM-C10W-A0<br/>WLAN dual band module kits. INTEL 802.11ac/a/b/g/n+BT</li> <li>» OPM-C07W-A2<br/>WLAN dual band module kits. Atheros 802.11a/b/g/n + BT 4.0</li> </ul> | <ul style="list-style-type: none"> <li>» UP-L62-A1-1010<br/>6-Slot Charger + 24V/250W adaptor</li> <li>» UP-P22-A2-1010<br/>2-Slot Charger + 24V Medical adaptor</li> <li>» OPM-V02C-02<br/>2MP Camera Kit</li> <li>» OPM-V02C-01<br/>5MP Camera Kit</li> </ul> |
|--|---|

## Mobile Cart Computer

# Venus-193/192

19" 24/7 Self-Power Cart Computer



## Features

- Highest level of medical safety protection
- Cleanability with hospital solvents (front IP65)
- Hot swappable design, support 24/7 run time
- Intel® Skylake Dual-Core i5 / Quad-Core J1900
- Support remote monitor/control/update (ORION compatible)
- Lightweight design
- Front reading light bar

## Specifications

### Main Specifications

	Venus-193	Venus-192
Processor	Intel® Skylake Dual-Core i5	Intel® Quad-Core J1900
System Memory	DDR4 up to 32GB	DDR3L up to 8G
OS Support	Microsoft® Windows 7 (32bit/64bit) Microsoft® Windows 8.1 (64bit) Microsoft® Windows 10 (64bit) Ubuntu 14.04 LTS IGEL (thin client solution)	Microsoft® Windows 7 (32bit/64bit) Microsoft® Windows 8.1 (32bit/64bit) Microsoft® Windows 10 (32bit / 64 bit) IGEL (thin client solution)
Graphics	Intel® HD Graphics 520	Intel® HD Graphics
Storage	SSD up to 512GB (optional)	
Wireless Communication	802.11 ac/a/b/g/n + BT 4.0 (optional)	
Touch	R-TS	
Speaker	2W x2	
Security	TPM 2.0 Smart Card Reader, RFID ISO 15693/14443A (optional)	TPM 1.2
Auto Brightness	Light sensor	

### Display

Display Size	19" panel
Resolution	1280 x 1024
Max. Colors	16.7M
Contrast Ratio	1000:1
Luminance (cd/m2)	250

### I/O

USB	Rear I/O : USB 3.0 x2, USB 2.0 x2 Side I/O : USB 3.0 x2	Rear I/O : USB 3.0 x2, USB 2.0 x2, Side I/O : USB 3.0 x2
Video Out	HDMI 1.4 x1	HDMI x1
COM	COM port x2	COM port x2
Audio	Combo audio port x1	Mic-in x1, Audio-out x1
Ethernet	Gigabit LAN x2	Gigabit LAN x 1
DC-in	24V DC-in x1	

### Mechanical and Environmental

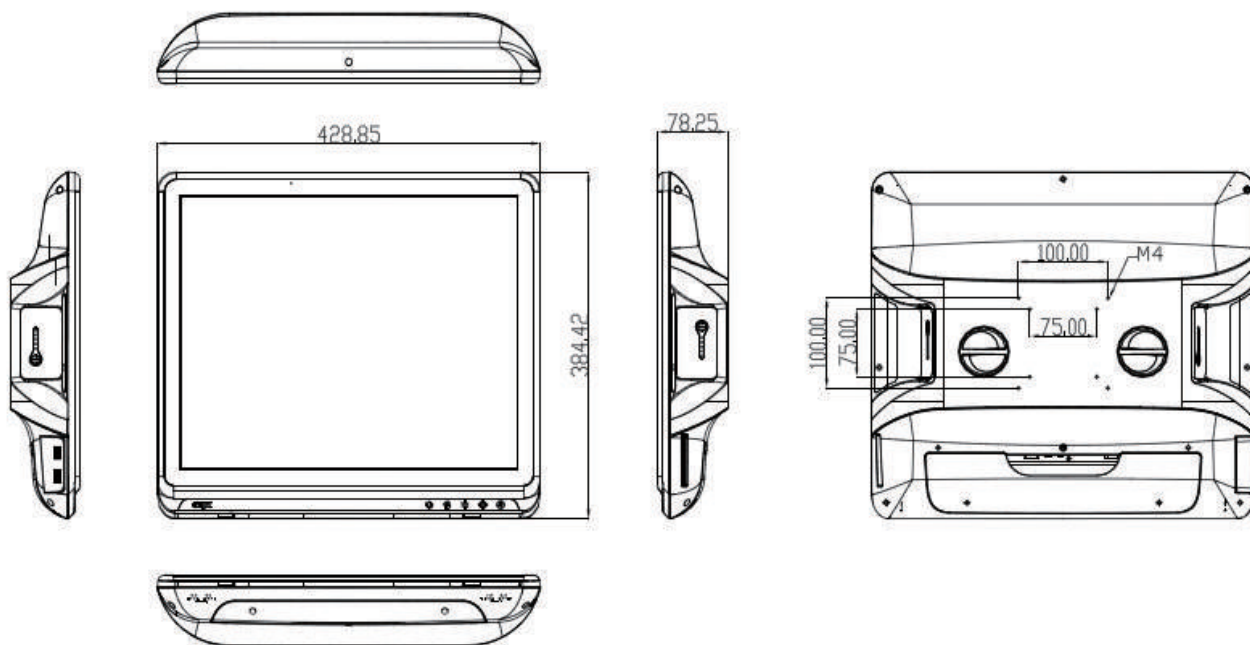
VESA	75/100 mm VESA mount
Operating Temperature	0°C ~ 35°C(32°F ~ 95°F)
Storage Temperature	-20°C ~ 60°C(-4°F ~ 140°F)
Storage Humidity	10%~95%@35°C, non-condensing
Dimension	429(L) x 78(W) x 384(H) mm
Net Weight	5.5kg (12.13 lbs)
Packing Size	570(L) x 270(W) x 530(H) mm
Gross Weight	9kg (19.84 lbs)
Certifications	CE: EN 60601-1-2:2015(V4.0), EN 60601-1:2006/ A1:2013(V3.1) FCC: Part 18 Class B UL: ANSI/AAMI ES60601-1:2012 (V3.1) CUL: CAN/CSA-C22.2 No. 60601-1:2014 (V3.1)

ALL PRODUCT, PRODUCT SPECIFICATIONS AND DATA ARE SUBJECT TO CHANGE WITHOUT NOTICE TO IMPROVE RELIABILITY, FUNCTION OR DESIGN OR OTHERWISE.



## 19" 24/7 Self-Power Cart Computer

## Dimension / Unit: mm



## Ordering Information

- » VENUS-193ET-A6-1010  
Cart Computer. i5. 19". Fanless. R-TS. 4GB .SCR. TPM. XL Battery x 2
- » VENUS-192ET-A1-1010  
Cart Computer. J1900. 19". Fanless. R-TS. 4GB RAM. SCR. TPM. Battery x 2

## Optional Accessories

- |  |  |
|--|--|
| <ul style="list-style-type: none"> <li>» 1255301501<br/>Medical Adaptor. 100-240V/1.0-2.5A 24V/6.25A 150W</li> <li>» 968C128G3H<br/>128G 2.5" SSD</li> <li>» OPM-S02R-A2<br/>RFID Reader Kit</li> <li>» OPM-C10W-A1<br/>WLAN dual band module kits. INTEL 802.11ac/a/b/g/n + BT</li> <li>» OPM-C07W-A3<br/>WLAN dual band module kits. Atheros 802.11a/b/g/n + BT 4.0</li> </ul> | <ul style="list-style-type: none"> <li>» UP-L62-A1-1010<br/>6-Slot Charger +24V/250W adaptor</li> <li>» UP-P22-A2-1010<br/>2-Slot Charger + 24V Medical adaptor</li> </ul> |
|--|--|

# 19" ~24" Self-Power Cart Computer Accessory Selection

## OPM-P01T

2 Battery kit. Lithium-ion 3S2P battery pack. 10.8V



### Specifications

Battery Type	3S2P / 6 Cell Lithium-ion battery
Battery Voltage	10.8V
Battery Capacity	5700 mAh
Warranty	1 year
Certification	UL,CE,IEC-60950-1,IEC-62133-1

#### Mechanical and Environmental

Dimension	84(L)x79(w)x48(H) mm
Weight	320g/pcs
Gross Weight	0.9kg(1.98 lbs)
Operating Temperature	0°C ~ 40°C(32°F ~ 104°F)

#### Ordering Information

» OPM-P01T-03  
2 Battery Kit. Li-ion 3S2P, 10.8V, 5700mAh. Volume Order (via Ocean)

## OPM-P02T

2 XL Battery Li-ion 10.95V 8550mAh



### Specifications

#### Main Specifications

Battery Type	3S3P / 9 Cell Li-ion battery
Battery Voltage	10.95V
Battery Capacity	8550mAh
Warranty	1 year
Certification	UL, CE, IEC-60950-1, IEC-62133-1

#### Mechanical and Environmental

Dimension	122(L) x79(W) x 50 (H) mm
Net Weight	510g (1.12 lbs)
Operating Temperature	0°C ~ 40°C(32°F ~ 104°F)

#### Ordering Information

» OPM-P02T-03  
2 XL Battery Kit. Li-ion 3S3P, 10.95V, 8550mAh. Volume Order (via Ocean)

## OPM-P03T

2 XXL Battery Kit. Li-ion. 10.8V. 12060mAh



### Specifications

#### Main Specifications

Battery Type	3S4P / 12 Cell Li-ion battery
Battery Voltage	10.8V
Battery Capacity	12060mAh
Warranty	2 year , 1000 cycle
Certification	UL, CE, IEC-60950-1, IEC-62133-1

#### Mechanical and Environmental

Dimension	137(L) x 79(W) x 48 (H) mm
Net Weight	690g (1.52lbs)/pcs
Operating Temperature	0°C ~ 35°C(32°F ~ 95°F)

#### Ordering Information

Please access to our Webshop for more detail  
<http://webshop-onyxhealthcare.com>

Mobile Cart Computer

# 19" ~24" Self-Power Cart Computer Accessory Selection

## UP-P22

2-slot battery charger



### Features

- Compatible with short battery and long battery (XL)
- Max 100W power output, mini-din 4pin x1LED
- 10W USB port x1 (power output only)
- Battery information monitor remotely (ORION)
- Support wall/cart mount. Fitting all environment
- LED indicator, clearly reveal recharge/discharge status

### Specifications

Battery Charge Time	3hrs for standard battery; 3.5hrs for XL battery
Input Power	24V Medical adaptor
Protection	Supports protection from over-voltage (input), over-current (input and output), short circuit, over-charge.
IO interface	Mini-din 4pin x1; USB Type A x1 (Power output only); USB micro-B x1(Data transport only); DC-in
Certification	CE: EN 60601-1-2:2015(V4.0), EN 60601-1:2006/A1:2013(V3.1) FCC: Part 18 Class B UL: ANSI/AAMI ES60601-1:2012 (V3.1) cUL: CAN/CSA-C22.2 No. 60601-1:2014 (V3.1)

### Mechanical and Environmental

Color	White
Dimension	191(L) x 64(W) x 117(H) mm
Net Weight	0.67kg (1.47 lbs)
Packing Size	390(L) x 290(W) x 110(H) mm
Gross Weight	2kg (4.41 lbs)
Operating Temperature	0°C ~ 35°C(32°F ~ 95°F)
Storage Temperature	-20°C ~ 60°C(-4°F ~ 140°F)

### Ordering Information

- » UP-P22-A2-1010  
2-slot charger. 24V medical adaptor

## OPM-P01C

6 -slot battery charger



### Features

- Battery information monitor remotely (ORION)
- Capable of charging 6 batteries simultaneously
- 6 Independent LED indicators, clearly reveal recharge status
- High-speed recharge and over charge protection

### Specifications

#### Main Specifications

Battery Charge Time	2.5 hrs for 85%, 3.5 hrs for 100%
Input Power	24V Medical adaptor
Protection	Supports protection from over-voltage (input), over-current (input and output), short circuit, over-charge.
IO interface	USB TypeA x 1(Data transport only), DC-in x 1
Certification	CE, FCC

#### Mechanical and Environmental

Color	White
Dimension	304(L) x 154(W) x 41(H) mm
Net Weight	1.16kg (2.56 lbs)
Packing Size	470(L) x 380(W) x 100(H) mm
Gross Weight	3kg (6.61 lbs)
Operating Temperature	0°C ~ 40°C(32°F ~ 104°F)
Storage Temperature	-20°C ~ 60°C(-4°F ~ 140°F)

### Ordering Information

- » OPM-P01C-03  
6-slot charger. 24V/250W adaptor

※ All product specifications are subject to change without notice

# Mobile Application Computer

# Venus-173

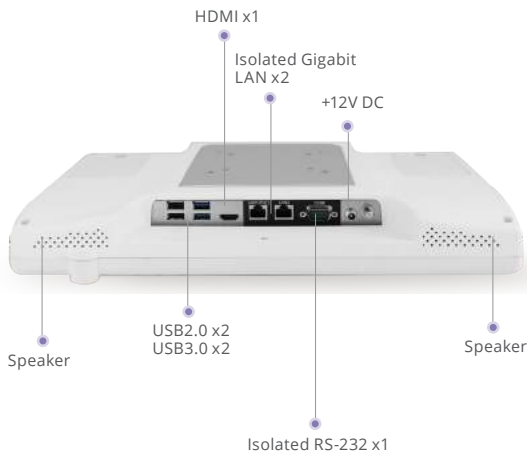
17" 24/7 Mobile Computer



LCD Brightness Control  
Power On/Off  
Speaker Volume Control



Swappable Battery Pack x 1  
Swappable Battery Pack x 1



HDMI x1  
Isolated Gigabit LAN x2  
+12V DC  
Speaker  
USB2.0 x2  
USB3.0 x2  
Isolated RS-232 x1  
Speaker

## Features

- Highest level of medical safety protection , EMC4.0/ Safety 3.1
- Cleanability with hospital solvents
- Hot swappable design, support 24/7 run time
- Intel® Skylake Dual-Core i5
- Support remote monitor/control/update (ORION compatible)
- isolated LAN / COM port

## Specifications

### Main Specifications

Processor	Intel® Skylake Dual-Core i5
System Memory	DDR4 up to 16GB
OS Support	Microsoft® Windows 7 (32bit/64bit) Microsoft® Windows 8.1 (64bit) Microsoft® Windows 10 (64bit) Ubuntu 14.04 LTS IGEL (thin client solution)
Graphics	Intel® HD Graphics 520
Storage	M.2 SSD up to 512GB (optional)
Wireless Communication	802.11 ac/a/b/g/n + BT 4.0 (optional)
Touch	PCT (optional), R-TS
Speaker	3W x2
Security	TPM 2.0

### Display

Display Size	17"
Resolution	1280 x 1024
Max. Colors	16.7M
Contrast Ratio	1000:1
Luminance (cd/m2)	250

### I/O

USB	USB 3.0 x2, USB 2.0 x2
Video Out	HDMI 1.4 x1
COM	COM port x1
Ethernet	Gigabit LAN x 2
DC-in	12V DC-in x1

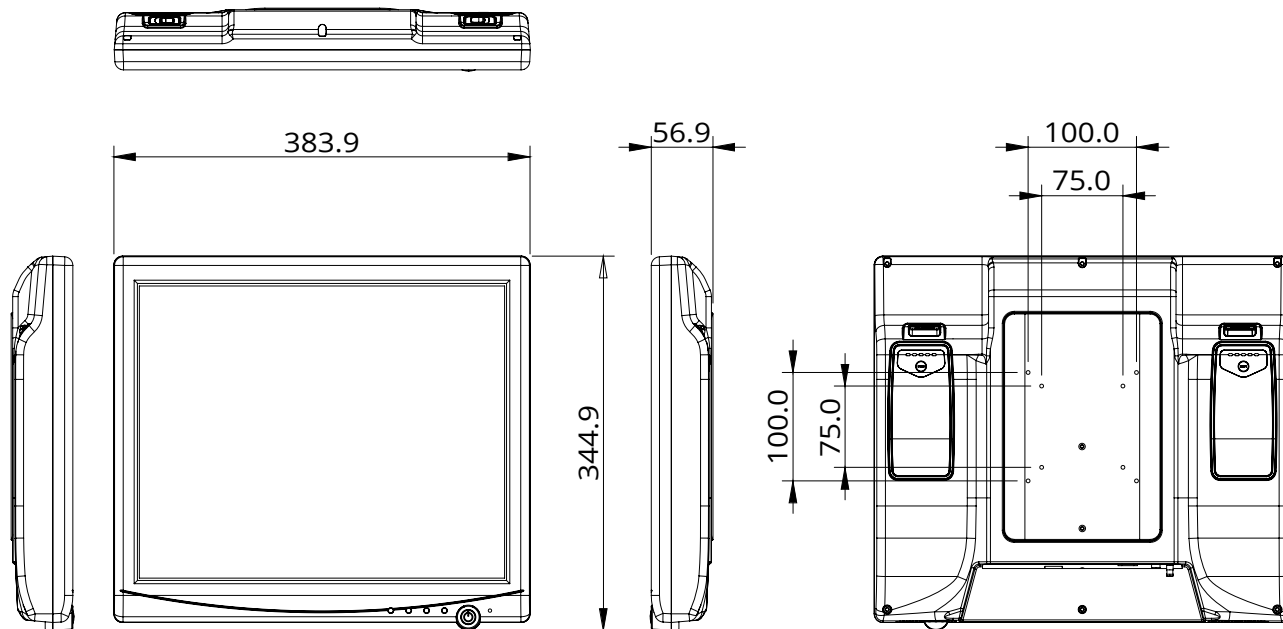
### Mechanical and Environmental

VESA	75/100 mm VESA mount
Operating Temperature	0°C ~ 35°C(32°F ~ 95°F)
Storage Temperature	-20°C ~ 60°C(-4°F ~ 140°F)
Storage Humidity	10%~95%@35°C, non-condensing
Dimension	384(L) x 68(W) x 345(H) mm
Net Weight	4.5kg
Packing Size	580(L) x 200(W) x 480(H) mm
Gross Weight	5.6 Kg
Certifications	CE: EN 60601-1-2:2015(V4.0), EN 60601-1:2006/ A1:2013(V3.1) FCC: Part 18 Class B UL: ANSI/AAMI ES60601-1:2012 (V3.1) cUL: CAN/CSA-C22.2 No. 60601-1:2014 (V3.1)

ALL PRODUCT, PRODUCT SPECIFICATIONS AND DATA ARE SUBJECT TO CHANGE WITHOUT NOTICE TO IMPROVE RELIABILITY, FUNCTION OR DESIGN OR OTHERWISE.

## 17" 24/7 Mobile Computer

## Dimension / Unit: mm



## Ordering Information

- » VENUS-173-R62-A1-0001  
Mobile Computer , i5 6200U ,17" Fanless, R-TS . TPM . Battery x 2

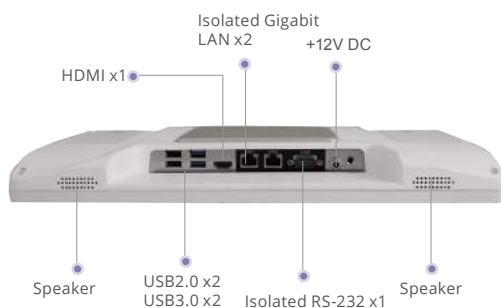
## Optional Accessories

- » 1757306039  
Medical Adaptor , 12V/60W
- » DDR4-04G-001  
DDR4 4GB RAM
- » 968C128G3J  
128G M.2 SSD
- » OPM-C10W-A5  
WLAN dual band module kits , Intel 802.11 ac/a/b/g/n + BT 4.2
- » OPM-C10W-A5  
WLAN dual band module kits , Atheros 802.11 a/b/g/n + BT 4.0
- » UP-M62-A1-1010  
6-Slot Charger + 24V / 120W adaptor

# Mobile Application Computer

# Venus-153

15" 24/7 Mobile Computer



## Features

- Highest level of medical safety protection , EMC4.0/ Safety 3.1
- Cleanability with hospital solvents
- Hot swappable design, support 24/7 run time
- Intel® Skylake Dual-Core i5
- Support remote monitor/control/update (ORION compatible)
- isolated LAN / COM port

## Specifications

### Main Specifications

Processor	Intel® Skylake Dual-Core i5
System Memory	DDR4 up to 16GB
OS Support	Microsoft® Windows 7 (32bit/64bit) Microsoft® Windows 8.1 (64bit) Microsoft® Windows 10 (64bit) Ubuntu 14.04 LTS IGEL (thin client solution)
Graphics	Intel® HD Graphics 520
Storage	M.2 SSD up to 512GB (optional)
Wireless Communication	802.11 ac/a/b/g/n + BT 4.0 (optional)
Touch	R-TS
Speaker	3W x2
Security	TPM 2.0

### Display

Display Size	15.6"
Resolution	1920 x 1080
Max. Colors	16.7M
Contrast Ratio	500:1
Luminance (cd/m2)	220

### I/O

USB	USB 3.0 x2, USB 2.0 x2
Video Out	HDMI x1
COM	COM port x1
Ethernet	Gigabit LAN x 2
DC-in	12V DC-in x1

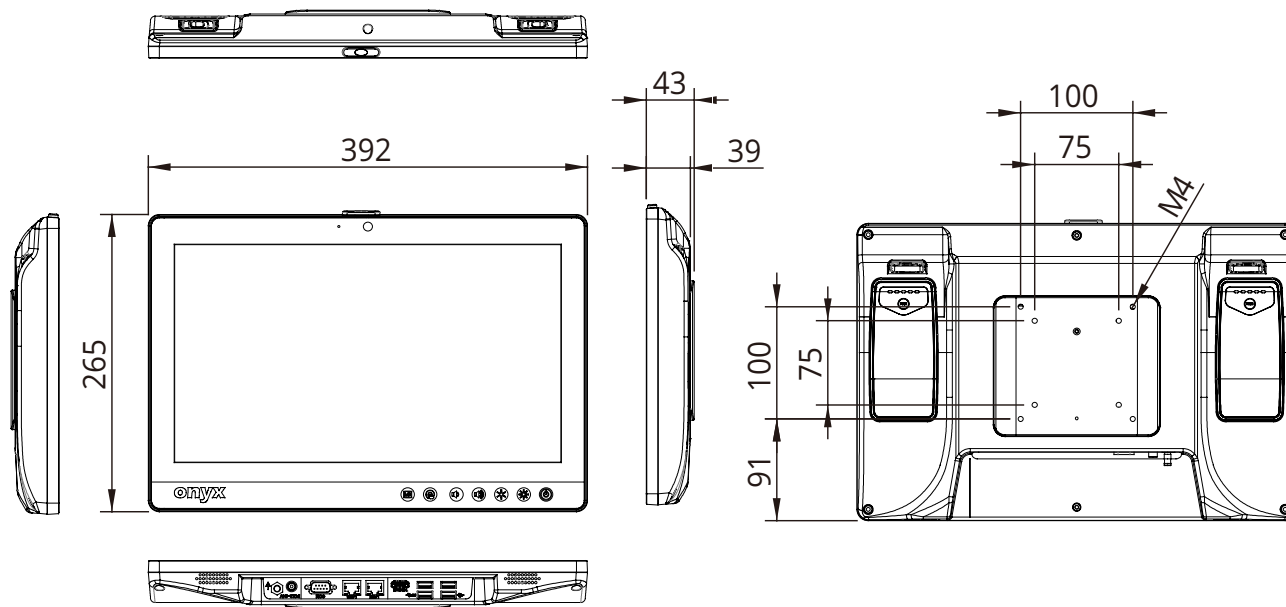
### Mechanical and Environmental

VESA	75/100 mm VESA mount
Operating Temperature	0°C ~ 35°C(32°F ~ 95°F)
Storage Temperature	-20°C ~ 60°C(-4°F ~ 140°F)
Storage Humidity	10%~95%@35°C, non-condensing
Dimension	392(L) x 43(W) x 265(H) mm
Net Weight	2.7kg
Packing Size	520(L) x 190(W) x 400(H) mm
Gross Weight	4.7 Kg
Certifications	CE: EN 60601-1-2:2015(V4.0), EN 60601-1:2006/ A1:2013(V3.1) FCC: Part 18 Class B UL: ANSI/AAMI ES60601-1:2012 (V3.1) cUL: CAN/CSA-C22.2 No. 60601-1:2014 (V3.1)

ALL PRODUCT, PRODUCT SPECIFICATIONS AND DATA ARE SUBJECT TO CHANGE WITHOUT NOTICE TO IMPROVE RELIABILITY, FUNCTION OR DESIGN OR OTHERWISE.

## 15" 24/7 Mobile Computer

## Dimension / Unit: mm



## Ordering Information

- » VENUS-153-R62-A1-0001  
Mobile Computer , i5 6200U ,15.6" Fanless, R-TS . TPM . Battery x 2

## Optional Accessories

- » 1757306039  
Medical Adaptor , 12V/60W
- » DDR4-04G-001  
DDR4 4GB RAM
- » 968C128G3J  
128G M.2 SSD
- » OPM-C10W-A5  
WLAN dual band module kits , Intel 802.11 ac/a/b/g/n + BT 4.2
- » OPM-C10W-A5  
WLAN dual band module kits , Atheros 802.11 a/b/g/n + BT 4.0
- » UP-M62-A1-1010  
6-Slot Charger + 24V / 120W adaptor

# Mobile Application Computer

# Venus-123

12" 24/7 Mobile Computer



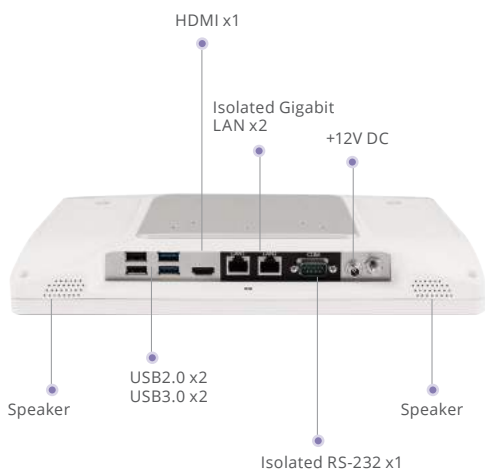
Webcam

Function Keys



Swappable Battery Pack x 1

Swappable Battery Pack x 1



HDMI x1

Isolated Gigabit LAN x2

+12V DC

USB2.0 x2  
USB3.0 x2

Speaker

Speaker

Isolated RS-232 x1

## Features

- Highest level of medical safety protection , EMC4.0/ Safety 3.1
- Cleanability with hospital solvents
- Hot swappable design, support 24/7 run time
- Intel® Skylake Dual-Core i5
- Support remote monitor/control/update (ORION compatible)
- isolated LAN / COM port

## Specifications

### Main Specifications

Processor	Intel® Skylake Dual-Core i5
System Memory	DDR4 up to 16GB
OS Support	Microsoft® Windows 7 (32bit/64bit) Microsoft® Windows 8.1 (64bit) Microsoft® Windows 10 (64bit) Ubuntu 14.04 LTS IGEL (thin client solution)
Graphics	Intel® HD Graphics 520
Storage	M.2 SSD up to 512GB (optional)
Wireless Communication	802.11 ac/a/b/g/n + BT 4.0 (optional)
Touch	R-TS
Speaker	3W x2
Security	TPM 2.0

### Display

Display Size	11.6"
Resolution	1366 x 768
Max. Colors	16.7M
Contrast Ratio	500:1
Luminance (cd/m2)	250

### I/O

USB	USB 3.0 x2, USB 2.0 x2
Video Out	HDMI x1
COM	COM port x1
Ethernet	Gigabit LAN x 2
DC-in	12V DC-in x1

### Mechanical and Environmental

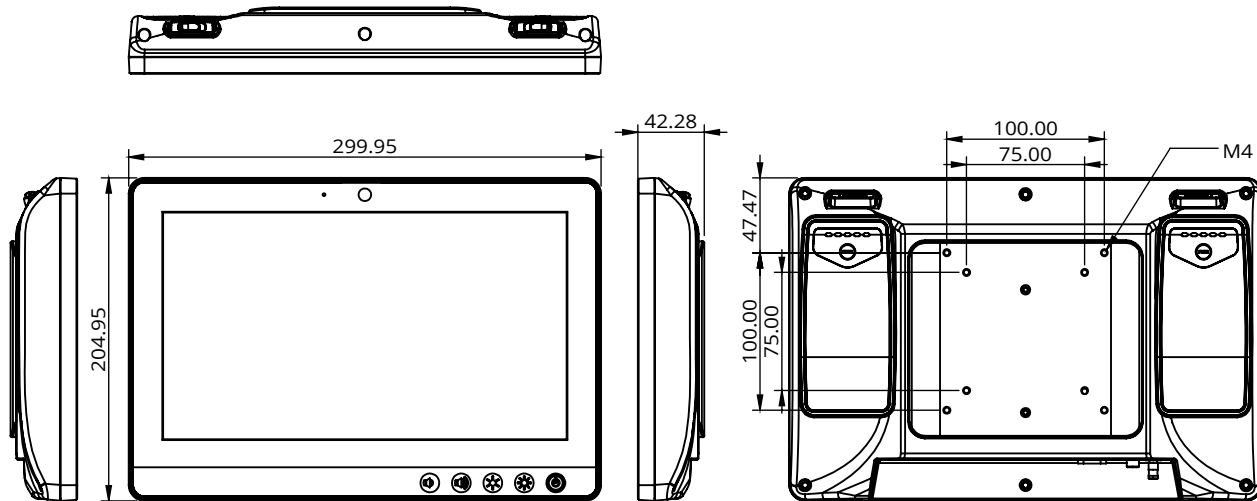
VESA	75/100 mm VESA mount
Operating Temperature	0°C ~ 35°C(32°F ~ 95°F)
Storage Temperature	-20°C ~ 60°C(-4°F ~ 140°F)
Storage Humidity	10%~95%@35°C, non-condensing
Dimension	300(L) x 43(W) x 205(H) mm
Net Weight	1.9kg
Packing Size	420(L) x 185(W) x 345(H) mm
Gross Weight	2.6 Kg
Certifications	CE: EN 60601-1-2:2015(V4.0), EN 60601-1:2006/ A1:2013(V3.1) FCC: Part 18 Class B UL: ANSI/AAMI ES60601-1:2012 (V3.1) cUL: CAN/CSA-C22.2 No. 60601-1:2014 (V3.1)

ALL PRODUCT, PRODUCT SPECIFICATIONS AND DATA ARE SUBJECT TO CHANGE WITHOUT NOTICE TO IMPROVE RELIABILITY, FUNCTION OR DESIGN OR OTHERWISE.



## 12" 24/7 Mobile Computer

## Dimension / Unit: mm



## Ordering Information

- » VENUS-123-R62-A1-0001  
Mobile Computer , i5 6200U ,11.6" Fanless, R-TS . TPM . Battery x 2

## Optional Accessories

- » 1757306039  
Medical Adaptor , 12V/60W
- » DDR4-04G-001  
DDR4 4GB RAM
- » 968C128G3J  
128G M.2 SSD
- » OPM-C10W-A4  
WLAN dual band module kits , Intel 802.11 ac/a/b/g/n + BT 4.2
- » OPM-C10W-A4  
WLAN dual band module kits , Atheros 802.11 a/b/g/n + BT 4.0
- » UP-M62-A1-1010  
6-Slot Charger + 24V / 120W adaptor

Mobile Application Computer

# 12" ~ 17" Mobile Computer Accessory Selection

## OPM-P05T

Venus-123/153/173 Battery Packs (2x)



### Specifications

Battery Type	253P / 6 Cell Lithium-ion battery
Battery Voltage	7.2V
Battery Capacity	4545 mAh
Warranty	1 year
Certification	UL,CE,IEC-60950-1,IEC-62133-1

#### Mechanical and Environmental

Color	White
Dimension	127(L) x 60(w) x 21(H) mm
Net Packing Size	199(L) x 175(w) x 42(H) mm
Weight	305g/pcs
Gross Weight	0.9kg(1.98 lbs)
Operating Temperature	0°C ~ 40°C(32°F ~ 104°F)
Storage Temperature	-20°C ~ 60°C(-4°F ~ 140°F)
Storage Humidity	10%~95%@35°C, non-condensing

### Ordering Information

- » OPM-P05T-A4  
Battery Kits (2x) 253P/7.2V for Venus-123/153/173

## UP-M62

Venus-123/153/173 6-slots Charger



### Optional Accessories

Part Number	UP-M62
Description	Battery Charger
Input Power	24V
Installations	Stationary
IO	1x Micro USB (Client) 1x DC-In
LED Indicator	Flickering Blue: Battery Charging Steady Blue: Battery Fully Charged Flickering Purple Green: Error
Dimensions	245.95 x 124.64 x 143.65mm
Weight	860g
Operating Temperature	-0°C ~ 40°C(32°F ~ 104°F)
Storage Temperature	-20°C ~ 60°C(-4°F ~ 140°F)

### Ordering Information

- » UP-M62-A1-1010  
6-slots Charger for Venus-123/153/173



# Ubiquitous Power Solution

The genius of the UPower system is in its unique, groundbreaking design. UPower gives you the capability of providing endless power with an innovative dual hot swappable battery architecture that ensures your device remains powered even while you are replacing a battery.

UPower Lite-22 include a voltage selection DC-output that allows users to select the desired voltage setting. Users can select from 12, 19, or 24 volts based on their additional power requirements.

## UPower



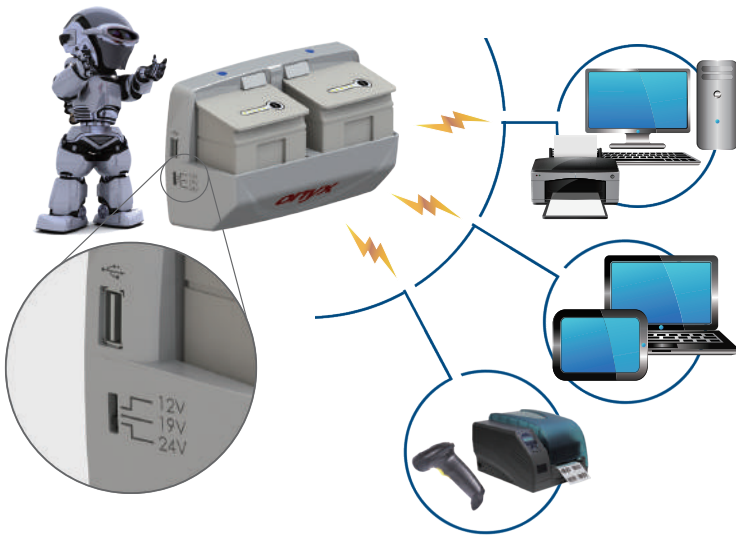
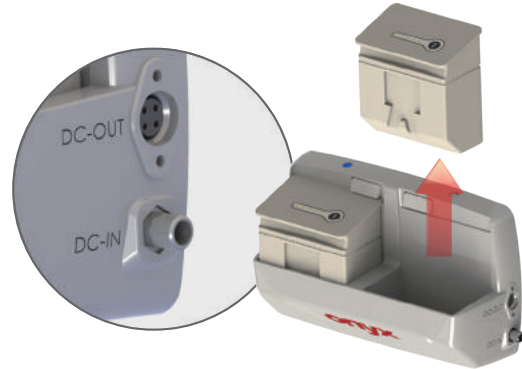
## Key Features

- » » External DC output (2 slot only)
- » » Selected voltage (12V / 19V / 24V) (2 slot only)
- » » Non-stop, Dual hot swappable batteries architecture
- » » Software (ORION) remote monitor
- » » Capable of charging 2/6 batteries simultaneously.
- » » 2/6 Independent LED indicators, clearly reveal recharge status
- » » High-speed recharge and over charge protection

# UPower

## Dual Swappable Batteries

Our UPower give you the capability of providing endless power with its unique swappable battery architecture. You will never again be in danger of losing power when it is most critically needed.



## User Selected Voltage

Since electronic devices operate with varying voltage requirements, we created a multi-voltage power bank that allows users to personally select the proper voltage setting. Users can select from 12, 19, or 24 volts based on their needs.

## ORION Management

These “smart” power banks can be managed with our new ORION device management software solution that intelligently monitors the status of all the batteries connected to the system.



## Vital Sign Application

Hospital intensive care units (ICU) specialize in providing intensive care for patients suffering from severe injuries and life-threatening illness. Patients in intensive care units must be monitored constantly not only by highly trained hospital staff, but also with specialized medical equipment to make sure they remain in stable condition while recovering from serious medical emergencies, or surgery.

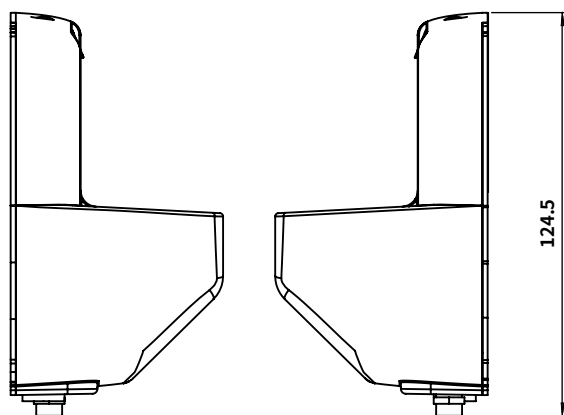
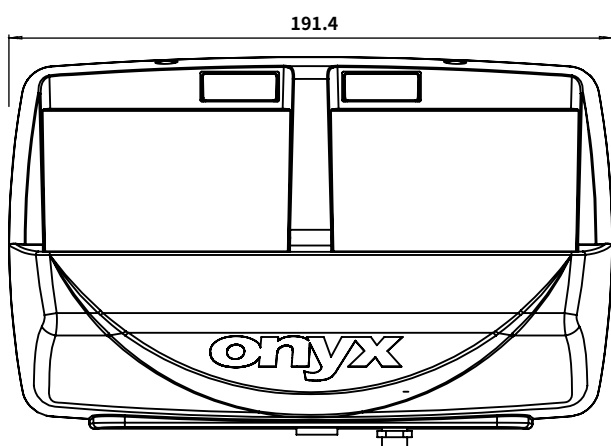
With UPower, battery powered medical devices will never again be in danger of losing power when it is most critically needed—and that’s a thought that doctors, patients, and all ICU staff can find reassuring and comforting.



Ubiquitous Power Solution

# UPower Pro-22

2-slot charger with 100W DC output



## Features

- Compatible with short battery and long battery (XL)
- Max 100W power output, mini-din 4pin x1
- 10W USB port x1 (power output only)
- Selected voltage (12V / 19V / 24V)
- Non-stop, swappable batteries architecture
- Battery information monitor remotely (ORION)
- Support wall/cart mount. Fitting all environment
- LED indicator, clearly reveal recharge/discharge status

## Specifications

### Main Specifications

Output Voltage	12/19/24V (can be selected only one voltage)
Output Capacity	100W mini-din 4pin x1; 10W USB Type A x1 (power output only) *check user manual for more detail info
Battery Charge Time	3hrs for standard battery; 3.5hrs for XL battery
Input Power	24V Medical adaptor
Protection	Supports protection from over-voltage (input), over-current (input and output), short circuit, over-charge.
IO interface	Mini-din 4pin x1; USB Type A x1 (Power output only); USB micro-B x1(Data transport only); DC-in
Certification	CE: EN 60601-1-2:2015(V4.0), EN 60601-1:2006/A1:2013(V3.1) FCC: Part 18 Class B UL: ANSI/AAMI ES60601-1:2012 (V3.1) cUL: CAN/CSA-C22.2 No. 60601-1:2014 (V3.1)

### Mechanical and Environmental

Architecture	ABS + PC
Color	White
Dimension	191(L) x 64(W) x 117(H) mm
Net Weight	0.67kg (1.47 lbs)
Packing Size	390(L) x 290(W) x 110(H) mm
Gross Weight	2kg (4.41 lbs)
Operating Temperature	0°C ~ 35°C(32°F ~ 95°F)
Storage Temperature	-20°C ~ 60°C(-4°F ~ 140°F)
Storage Humidity	10%~95%@35°C, non-condensing

### Battery LED Indicator

Blue Lighting	Full Charge (AC mode)
Blue Flashing	Charging (AC mode)
Green Lighting	Capacity 16%~100% (Battery mode)
Orange Lighting	Capacity 8%~15% (Battery mode)
Purple Lighting	Capacity 0%~7% (Battery mode)
Green-Purple Flashing	Charging error

### Power Supply Specification

Input Voltage	100-240V AC @50-60 Hz
Output Power	24V / 6.25A

### Battery Pack (optional)

Battery Type	6 / 9 / 12 Cell Lithium-ion battery
Battery Capacity	5700 / 8550 / 12060 mAh
Output Voltage	10.8 / 10.95 / 10.8 V

## Ordering Information

- » UP-P22-A3-1010  
2-slot Charger with DC output + 24V adaptor

# UPower Lite-62

6-slot charger



## Features

- Battery information monitor remotely (ORION)
- Capable of charging 6 batteries simultaneously
- 6 Independent LED indicators, clearly reveal recharge status
- High-speed recharge and over charge protection

## Specifications

### Main Specifications

Battery Charge Time	2.5 hrs for 85%, 3.5 hrs for 100%
Input Power	24V/250W adapter
Protection	Supports protection from over-voltage (input), over-current (input and output), short circuit, over-charge.
IO Interface	USB TypeA x 1(Data transport only), DC-in x 1
Certification	CE, FCC

### Mechanical and Environmental

Architecture	ABS + PC
Color	White
Dimension	304(L) x 154(W) x 41(H) mm
Net Weight	1.16kg (2.56 lbs)
Packing Size	470(L) x 380(W) x 100(H) mm
Gross Weight	3kg (6.61 lbs)
Operating Temperature	0°C ~ 40°C(32°F ~ 104°F)
Storage Temperature	-20°C ~ 60°C(-4°F ~ 140°F)
Storage Humidity	10%~95%@35°C, non-condensing

### Battery LED Indicator

Blue Lighting	Full Charge (AC mode)
Blue Flashing	Charging (AC mode)
Green Lighting	N/A
Orange Lighting	N/A
Purple Lighting	N/A
Green-Purple Flashing	N/A

### Power Supply Specification

Input Voltage	100-240V AC @50-60 Hz
Output Power	24V / 10.41A, 250W max

### Battery Pack (optional)

Battery Type	6/9/12 Cell Lithium-ion battery
Battery Capacity	5700 / 8550 / 12060 mAh
Output Voltage	10.8 / 10.95 / 10.8V

## Ordering Information

- » UP-L62-A1-1010  
6-slot Charger + 24V/250W adaptor. USB.

Ubiquitous Power Solution

# OPM-P01T / OPM-P02T

2 Battery kit. Lithium-ion 3S2P battery pack. 10.8V  
2 XL Battery Kit. Li-ion. 10.95V. 8550mAh

## OPM-P01T

2 Battery kit. Lithium-ion 3S2P battery pack. 10.8V



### Features

- Support battery management system, remote monitor and auto alarm
- LED indicator, easily to check battery status
- Light weight, only 320g!!

## Specifications

Battery Type	3S2P / 6 Cell Lithium-ion battery
Battery Voltage	10.8V
Battery Capacity	5700 mAh
Warranty	1 year
Certification	UL,CE,IEC-60950-1,IEC-62133-1

### Mechanical and Environmental

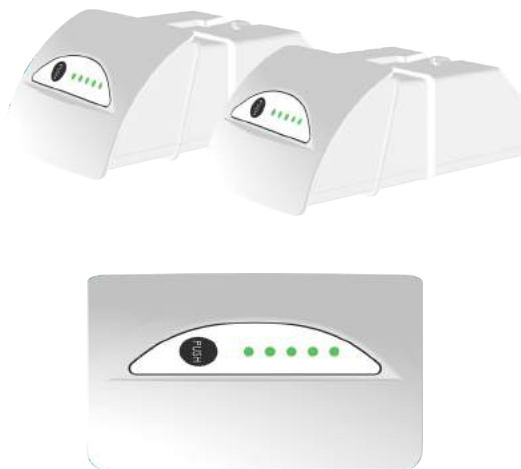
Color	White
Dimension	84(L)x79(w)x48(H) mm
Net Packing Size	230(L)x150(w)x90(H) mm
Weight	320g/pcs
Gross Weight	0.9kg(1.98 lbs)
Operating Temperature	0°C ~ 40°C(32°F ~ 104°F)
Storage Temperature	-20°C ~ 60°C(-4°F ~ 140°F)
Storage Humidity	10%~95%@35°C, non-condensing

## Ordering Information

- » OPM-P01T-03  
2 Battery Kit. Li-ion 3S2P, 10.8V, 5700mAh. Volume Order (via Ocean)

## OPM-P02T

2 XL Battery Li-ion 10.95V 8550mAh



### Features

- Compatible with all Venus-series and all UPower-series
- X1.5 battery capacity increase
- Supports remote management software (ORION)
- Battery capacity indicator button
- Medical grade certified (with Venus)
- Lightweight design

## Specifications

### Main Specifications

Battery Type	3S3P / 9 Cell Li-ion battery
Battery Voltage	10.95V
Battery Capacity	8550mAh
Warranty	1 year
Charging time	3hrs for 90% ; 3.5hrs for 100% ( with UPower Pro-series)
Safety	Supports protection from over-voltage (input and output), over-current (input and output), short circuit, over-charge, over-discharge, and battery Positive Temperature Coefficient(PTC)
Compatible	Venus all series, UPower all series
Certification	UL, CE, IEC-60950-1, IEC-62133-1

### Mechanical and Environmental

Architecture	ABS + PC
Color	White
Dimension	122(L) x 79(W) x 50 (H) mm
Net Weight	510g (1.12 lbs)
Packing Size	220(L) x 180(W) x 80(H) mm
Gross Weight	1.3kg (2.87 lbs)

## Ordering Information

- » OPM-P02T-03  
2 XL Battery Kit. Li-ion 3S3P, 10.95V, 8550mAh. Volume Order (via Ocean)



Ubiquitous Power Solution

# OPM-P03T

2 XXL Battery Kit. Li-ion. 10.8V. 12060mAh



## Features

- 2 Years 1000 cycle warranty
- 130Wh battery capacity
- Black Box : internal information record
- Smart LED: battery status indicator for end user
- Compatible with all Venus and Upower series

## Specifications

### Main Specifications

Battery Type	3S4P / 12 Cell Li-ion battery
Battery Voltage	10.8V
Battery Capacity	12060mAh
Warranty	2 year , 1000 cycle
Charging time	4.5hrs with UPower Pro-series
Safety	Supports protection from over-voltage (input and output), over-current (input and output), short circuit, over-charge, over-discharge, and battery Positive Temperature Coefficient(PTC)
Compatible	Venus all series, UPower all series
Certification	UL, CE, IEC-60950-1, IEC-62133-1

### Mechanical and Environmental

Color	White
Dimension	137(L) x 79(W) x 48 (H) mm
Net Weight	690g (1.52lbs)/pcs
Packing Size	234(L) x 180(W) x 76(H) mm
Gross Weight	1.7kg (3.75 lbs)
Operating Temperature	0°C ~ 35°C(32°F ~ 95°F)
Storage Temperature	-20°C ~ 60°C(-4°F ~ 140°F)
Storage Humidity	10%~95%@35°C, non-condensing

## Ordering Infomation

Please access to our Webshop for more detail  
<http://webshop-onyxhealthcare.com>

# ORION-Hospital IT Management Software Package

ORION is a complete software solution that controls every part of your Onyx device infrastructure from the server, to the software manager and client devices. This system works the same way as the email servers we use every day to communicate. Each ORION system has a single server that connects to nursing carts (clients) that push their information to the server (similar to sending an email). The software manager collects information on the server received from the nursing carts to perform further analysis like battery cycle count or capacity attenuation.



## Key Features

- »» Everything Remotely
- »» Break Up the Whole Into Parts
- »» To Improve the Quality



## + Remote Backup / Recovery

IT Managers can remotely perform critical operating system backup / recovery operations without having to be at any device's physical location.



## + Remote Update / Installation

System software / firmware installation and updates can also be performed remotely saving valuable time and resources.



## + E-mail Reporting

ORION includes an integrated e-mail client for regularly scheduled event reporting.



## + Battery Diagnostics

With potentially thousands of batteries in use in a single hospital, ORION can monitor them all with diagnostic tools that alert users of any battery-related errors.



# ORION

ORION is a complete software solution that controls every part of your Onyx device infrastructure from the server, to the software manager and client devices. This system works the same way as the email servers we use every day to communicate. Each ORION system has a single server that connects to nursing carts (clients) that push their information to the server (similar to sending an email). The software manager collects information on the server received from the nursing carts to perform further analysis like battery cycle count or capacity attenuation.



## + Real-time Remote Monitoring

Real-time remote monitoring provides quick data feedback to help IT managers diagnose and fix system problems.



## + User-friendly Interface

ORION's user-friendly graphical interface conveniently organizes important data in a way that lets you quickly and easily review systemwide performance.



## + Customizable Dashboard

All IT managers have their own preferences for how to perform their duties. ORION's customizable dashboard gives IT managers the freedom to set operational parameters to their own liking to maximize efficiency.



## + Automated Task Scheduling

With automated task scheduling, ORION takes care of less important repetitive tasks so you can focus on more important priorities.



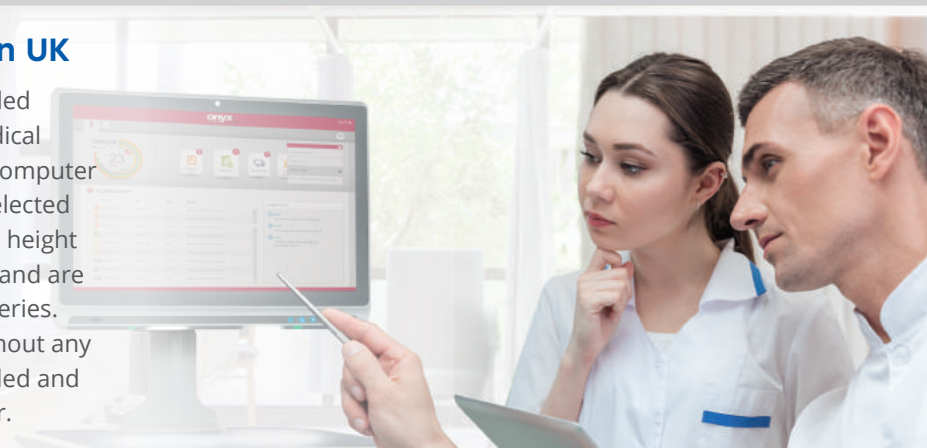
## + Group Settings

Device settings can be managed and saved by groups so that each department in a facility can have custom-managed devices.



### Successful Story – NHS in UK

The Trust went live with their EPR called e-Care on 30th April 2016. Parity Medical were the chosen supplier of mobile computer carts. The Parity Infinity carts were selected after trialling as they are light weight, height adjustable, ergonomic, easy to clean and are powered 24/7 by hot swappable batteries. It was a big project that went live without any hiccups. Phase 2 has now been enabled and will be phased in throughout the year.





## ORION Remote

Hospital IT Management Software Package

### Main Specifications

Component	ORION Server + ORION Manager + ORION Clients
Description	To get the permission to manage ORION Client remotely

### CORE FUNCTION

Battery Diagnostics	✓
Friendly UI	✓
Remote Backup/Recovery	✓
Remote Update/Installation	✓
E-Mail Reporting	✓
Automated Task Scheduling	✓
Group Settings	✓
Real-time Remote Monitoring	✓
Customizable Dashboard	✓

### Ordering Information

ORION-A01-V2	ORION Air permission (per client)
--------------	-----------------------------------

### Hardware Requirement

#### ► ORION Server

CPU	1.6GHz or faster
RAM	1GB
Storage	20MB per client for one month record 10G for 500 clients for one month record
OS	Windows 7, Windows 8.1, Windows 10

#### ► ORION Manager

CPU	1.6GHz or faster
RAM	1GB
Display	DirectX 9-capable video card running at 1024 x 768 or higher display resolution
OS	Windows 7, Windows 8.1, Windows 10
Other	Net Framework 4.0 above

# Mobile Medical Assistant

Onyx Mobile Medical Assistant tablets are especially designed to streamline data exchange for EMS and hospitals. With rugged features, high brightness LCD and high performance CPU, these tablets can be operated in harsh environments while delivering superb performance and a crystal clear image. Onyx Mobile Medical Assistant tablets help eliminate medical paperwork by automating EMS and hospital workflows allowing paramedics and nurses to instantly access and document patient records.

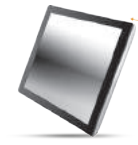


## Key Features

- » Effortless data collection and documentation with significant error reduction
- » Seamless integration of medical devices
- » Medical & ambulance dual certifications
- » Continuous power for 24/7 non-stop operation
- » Rugged design for outdoor and indoor use
- » Reduce hospital and ambulance service TOC

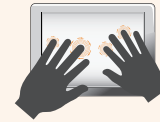
### ✚ Light weight & compact size

The weight of MD101 is less than 1kg, and the compact size design let user can easy to carry the device to anywhere they want.



### ✚ 10 points PCT touch Screen

Multi-touch has been implemented in several different ways. MD series provides 10 points touch functions to the user to do any control missions.



### ✚ Windows OS support

MD series is supported by Windows OS which has good compatibility to the other medical device. The same windows user interface let user can easy to make use of the device.



### ✚ Wi-Fi and Bluetooth V4.0 support

MD series has designed Wi-Fi 802.11b/g/n and 2.4GHz/ BT v4.0 inside. It help user easy to receive and deliver the medical data to other devices.



### ✚ Long term product life time support

ONYX provides stable and long term support to our customers. Customers could focus on business promotion and product development.



# Julia- J05

5" PDA (mPDA)



## Order Information

- » Julia-J05-P01-A1-0201  
5" mPDA.Cortex-A53.PCT.2GB RAM.16GB eMMC.BCR.Android 5.1
- » Julia-J05-P01-A1-0202  
5" mPDA.Cortex-A53.PCT.2GB RAM.16GB eMMC.Android 5.1

## Features

- Cortex A53- Octa Core 1.3GHz
- 5" 1280 x720 Panel with direct optical bonding
- Support Android 5.1 OS
- 1D/2D Barcode Reader and NFC reader for data collection
- IP65 waterproof and dustproof
- Easy to store in the coats pockets

## Specifications

### Main Specifications

Processor	ARM® Cortex™-A53 Octa-core 1.3 GHz
System Memory	2GB RAM
Storage	16GB eMMC Additional storage available: SD (up to 2 GB), SDHC (up to 32 GB)
Operating system	Android 5.1
Microphone	2 x Built-in Mic
Speaker	1 x 1.2 W speaker
Earphone	1 x Earphone
Web camera	2MP Camera
Rear camera	8MP Camera with LED auxilliary light (auto focus)
NFC	NFC (Read / Write, peer to peer Mode)
Barcode	1D/2D Barcode Reader

### Display Specification

Size	5-inch
Resolution	1280 x 720
Brightness	500 nit with Direct optical bonding for sunlight readable
Touch	Multi-touch projected capacitive
Contrast Ratio	800:1
Viewing angle	80/80/80/80
Technology	Ambient light sensor, e-compass, gyro, and acceleration sensors, Automatic screen rotation

### Wireless Communication

WLAN	802.11 a/b/g/n
Bluetooth	Bluetooth 4.1
GPS	GPS / AGPS / GLONASS
WWAN	Optional 3G/4G LTE

### Interface

Docking Connector	1 x Docking connector
USB	1 x Micro USB
Power input	1 x Power Jack
Micro SD	1 x Micro SD Card Slot
SIM Card Slot	2 x SIM Card Slot

### Input

Button	1 x Volume +/- , 1 x Power Button, 2 x Function Button
LED Indicators	1 x LED indicators

### Mechanical and Environment

Dimension (W x L x H)	85.9 x 163.2 x 22.5 mm
Weight	315g
Operating Temperature	-10°C to 50°C (Battery mode)
IP Proof	IP65 Certified, waterproof and dustproof

### Power Management

Battery	3.7V 3900mAh Li-ion removable battery, optional for Hotswappable function
Battery Operating Time	20Hr
Adapter	5V 2A Adapter

### Accessories

Standard Accessories	Universal Adapter ,Micro USB Cable ,Micro SD Card ,Hand Strap
Optional Accessories	Charging Dock 2 bay ,Charging Dock 6 bay , Battery Charging Dock 2 bay ,Battery Charging Dock 6 bay



Mobile Medical Assistant

# Julia- J07

7" PDA (mPDA)



## Features

- Cortex-A53 Octa Core Processor
- 7" 1280 x 720 TFT Panel with direct optical bonding
- Support Android 5.1 OS
- Hot-swappable battery design
- Support 1D/2D Barcode and NFC Reader
- IP65 waterproof and dustproof
- Easy to store in the coats pockets

## Specifications

### System Specification

Processor	ARM® Cortex™-A53 Octa-core 1.3 GHz
System Memory	2GB RAM
Storage	16GB eMMC Additional storage available: SD (up to 2 GB), SDHC (up to 32 GB)
Operating system	Android 5.1
Microphone	2 x Built-in Mic
Speaker	1 x 1.2 W speaker
Earphone	1 x Earphone
Web camera	2MP Camera
Rear camera	8MP Camera with LED auxilliary light (auto focus)
NFC	NFC (Read / Write, Peer to Peer mode)
Barcode	1D/2D Barcode Reader

### Display Specification

Size	7-inch
Resolution	1280 x 720
Brightness	650 nit with direct optical bonding for sunlight readable
Touch	Multi-touch projected capacitive
Contrast Ratio	800:1
Viewing angle	80/80/80/80
Technology	Ambient light sensor, g-sensor , Automatic screen rotation

### Wireless Communication

WLAN	802.11 a/b/g/n
Bluetooth	Bluetooth 4.0
GPS	GPS / AGPS / GLONASS
WWAN	Optional 3G/4G LTE

### Interface

Docking Connector	1 x Docking connector
USB	1 x Micro USB OTG
Power input	1 x Power Jack
Micro SD	1 x Micro SD Card Slot
SIM Card Slot	2 x SIM Card Slot

### Input

Button	1 x Volume +/- , 1 x Power Button, 1 x Home Button, 1 x Menu Button, 1 x Return Button, 1 x Trigger Button
LED Indicators	2 x LED indicators (Power, Battery)

### Mechanical and Environment

Dimension (W x L x H)	212.4 x 132.8 x 19 mm (8.36 x 5.23 x 0.75 inches)
Weight	550g
Operating Temperature	-20°C to 60°C (AC mode), -10°C to 50°C (Battery mode)
IP Proof	IP65 Certified, waterproof and dustproof

### Power Management

Power Input	5V DC
Battery	3.7V 5300mAh Li-Poly optional for Hotswappable function
Battery Operating Time	20Hr
Adapter	100-240V/ 5V 3A Adapter

### Accessories

Standard Accessories	Universal Adapter
Optional Accessories	Battery Charging Dock ,Vehicle Dock (Charging + Connectors) ,Vehicle Dock (Charging Only),Desk Dock ,Hand Strap ,Carry Bag, Capacitive Touch Stylus,Vehicle Adapter

## Order Information

» Julia-J07-P01-A1-0201

7" mPDA.Cortex-A53.PCT.2GB RAM.16GB eMMC.BCR.  
Android 5.1

» Julia-J07-P01-A1-0202

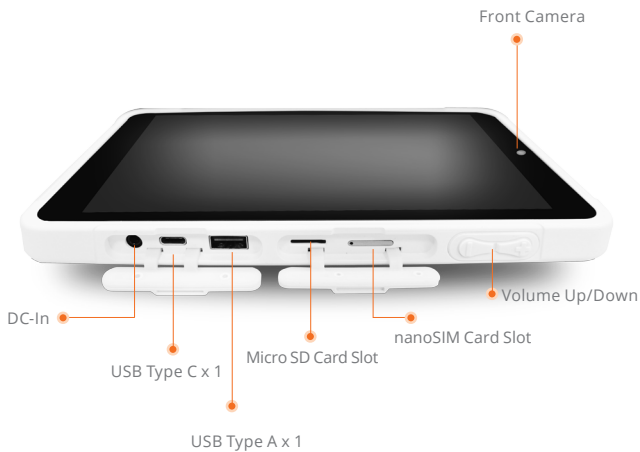
7" mPDA.Cortex-A53.PCT.2GB RAM.16GB eMMC.Android 5.1

# MPAD-800

8" Medical Tablet



Rear Camera



Front Camera

## Features

- ARM® Cortex® Quad-Core up to 1.6 GHz
- Android 6.0.1
- Water/Drop Proof & Fanless Operation
- Built-in Type A USB Port
- Built-in Cellular Communication
- Shift Ready Battery Life
- Medical Grade Device Safety

## Specifications

### Main Specifications

Processor	ARM® Cortex® Quad-Core up to 1.6 GHz
System Memory	2GB SDRAM
OS Support	Android 6.0.1
LCD Touch Display	8" (1280 x 800) TFT LCD with 2-point P-cap (Latex Glove Operable)
Communication	WiFi a/b/g/n/ac + Bluetooth 4.0 /
I/O Port	USB Type C x 1 or Micro USB x1 ,USB Type A x 1, Volume Up/Down , 3.5mm Stereo Headphone Jack x1, DC-In Jack x 1 or USB Type C Charging x1 or Pogo pin Charging , Built-In Speaker & Microphone, nanoSIM Card Slot, Micro SD Card Slot
Storage	16 GB eMMC Flash
Camera	Front 2MP , Rear 8MP with Flash LED
Sensor	Built-in Light Sensor, Built-in G-Sensor , Built-in Vibration Motor

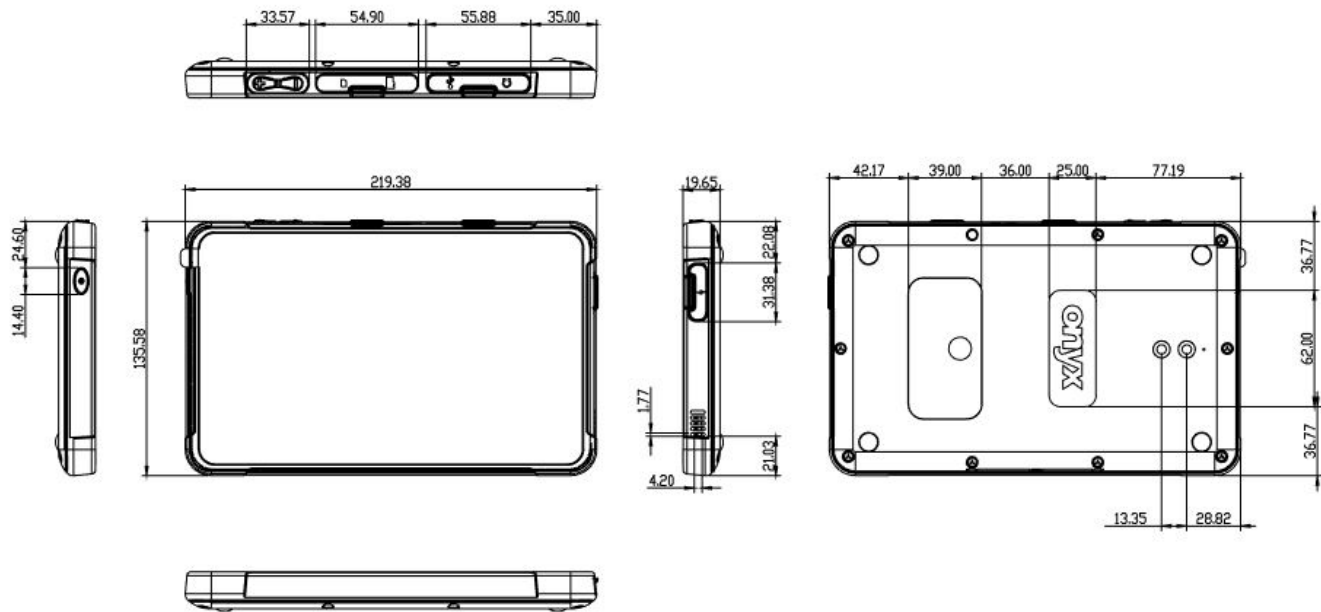
### Mechanical and Environmental

Color	White
Dimension(W x H x D)	136.6 x 219 x 21mm (5.38 x 8.58 x 0.83")
Gross Weight	0.67 Kg (1.48lb)
Operating Temperature	0°C ~ 40°C
Storage Temperature	-20°C ~ 60°C
Operating Humidity	10 ~ 75%
Water / Drop Proof	IP54 / 76cm
Medical Certification	CE/FCC Class B , UL60950 , UL/EN60601-1

### Power Supply

AC/DC Adapter	AC Power Input: 100 ~ 240V , 50~60Hz,36W , Output:12V , 3A
Battery	Lithium-Polymer High Capacity Battery (8 Hours)

## Dimensions / Unit: mm



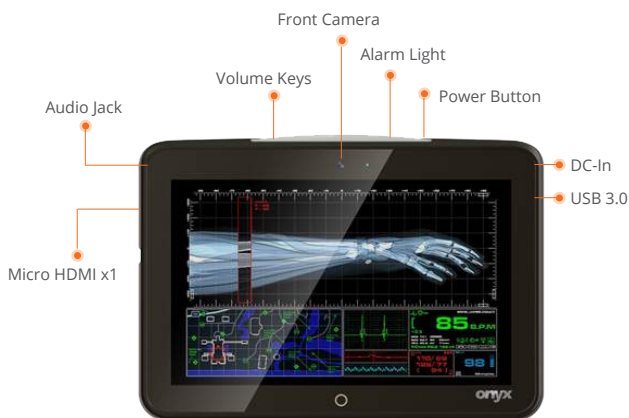
## Ordering Information

- » MPAD-800-A1-1010  
Tablet . RK3288. 2G-16G. WiFi.BT.Android 6.0

# Mobile Medical Assistant

## MD101

10.1" Rugged Medical Tablet



### Features

- Intel® Cherry Trail processor
- Slim & lightweight design for clinical mobility
- Long battery life for intensive care services
- Standard USB Type-A for easy connection to medical devices
- IP54 certified & 3 feet drop resistant
- ORION client compatible
- VESA mounting via adapter
- EN60601-1 & UL60601-1 Certified
- Ergonomic design adapted for portable and cart use
- Windows 10 and Android 6.0 available

### Specifications

#### Main Specifications

Processor	Intel® Cherry Trail QC Processor Z8350 1.44 GHz	
System Memory	2 / 4 GB	
OS Support	Microsoft® Windows 10 IOT LTS/An	Android 6.0
Storage	eMMC 64 /128 GB	
Wireless Communication	802.11 a/b/g/n+BT 4.0	
Gyroscope Sensor	Bosch BMG 160	
Camera	2 MP (Front) / 8 MP (Rear)	
Touchscreen	Projected Capacitive Touchscreen , w/Gorilla Glass	
Accelerometer Sensor	Bosch BMC150	
Ambient Light Sensor	Capella CM3218	
Power Button	x1	
Volume Keys	x2	
Speakers	3 W x2	
Internal Mic	x1	
Alarm Light	x1 (Optional)	
Power Requirement	DC 15 V	

#### Display

Display Size	10.1" 16:10 Wide Screen LED Panel	
Resolution	FHD 1920 x 1200	
Max. Colors	16.7 M	
Contrast Ratio	800:1	
Luminance (cd/m2)	300 nits	

#### I/O

USB	USB 3.0 (Type-A) x1	N/A
Audio Out / Mic In	3.5 mm Combo Audio Jack x1	
Video Out	Micro HDMI x1 (Optional)	
DC-In	x1	

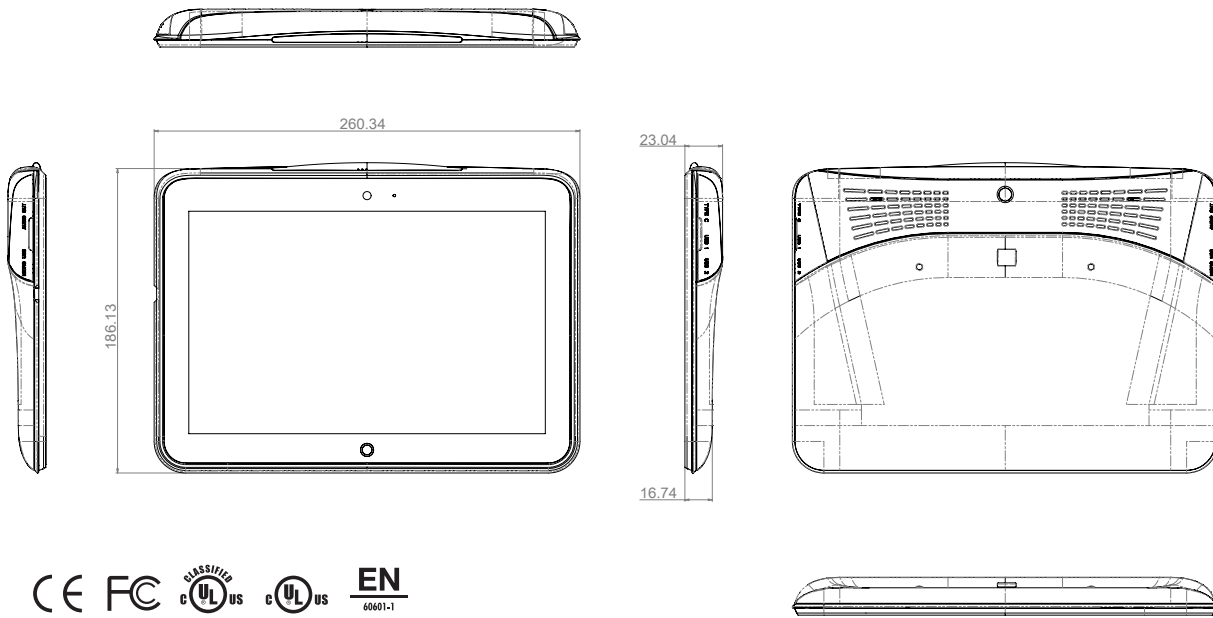
#### Battery Pack

Battery Type	Li-ion	
Battery Capacity	4090 mAh (46.62 Wh)	
Battery Run Time	Approx. 8 hrs	

#### Mechanical and Environmental

VESA	VESA 75 via cradle	
Operating Temperature	0° C ~ 40° C (32° F ~ 104° F)	
Storage Temperature	-20° C ~ 60° C (-4° F ~ 140° F)	
Storage Humidity	10%~95%@40°C, non-condensing	
Dimension	260 (W) x 186 (H) x 23 (D) mm	
Net Weight	Approx. 1 kg	
Certifications	CE: EN 60601-1-2:2015(V4.0), EN 60601- 1:2006/A1:2013(V3.1) EN 300 328(V2.1.1), EN 301 893 (V2.1.1) FCC: Part 18 Class B, Part 15 C/E UL: ANSI/AAMI ES60601-1:2012 (V3.1) cUL: CAN/CSA-C22.2 No. 60601-1:2014 (V3.1)	

Dimensions / Unit: mm



Ordering Information

- » ONYX-MD101ST-A1-1010  
10.1" FHD 300nits, Gorilla PCT, Cherry Trail Z8350, 4G RAM, 128G eMMC, Dual Camera, WiFi/BT, Battery, Adapter; but without OS.
- » ONYX-MD101ST-A1-1011  
10.1" FHD 300nits, Gorilla PCT, Cherry Trail Z8350, 4G RAM, 128G eMMC, Dual Camera, WiFi/BT, Battery, Adapter, Android ,but without:Audio Jack.

VESA Cradle



PN:OPM-T019-A1

# Mobile Medical Assistant

# MD116/MD116I

12" Rugged EMS Tablet



## Features

- Intel® Apollo Lake processor / Sky Lake U processor
- Dual hot-swappable batteries for 24/7 operation
- Dual smart card readers for multiple-care workflow
- Standard USB Type-A and RJ45 for easy connection to medical devices
- IP54 certified & 3 feet drop resistant
- ORION client compatible
- Instant vehicle docking system
- Automotive Directive and EN1789 certified for ambulances/medical transportation vehicles

## Specifications

Main Specifications	MD116	MD116I
Processor	Intel® Apollo Lake Processor	Intel® Sky Lake U Processor
System Memory	DDR3L SO-DIMM x1, Default 4 GB (Up to 8 GB),	DDR4 SO-DIMM x1, Default 4 GB (Up to 8 GB)
OS Support	Microsoft® Windows 10 IOT LTSB	
Storage	M.2 Interface x1, Default 64 GB	
Wireless Communication	802.11 a/b/g/n + BT4.0 (Optional)	
Camera	2 MP (Front) / 5 MP (Rear)	
Touchscreen	Projected Capacitive Touchscreen, w/Gorilla Glass	
Digital Accelerometer	ADI ADXL345	
Ambient Light Sensor	TAOS TSL2581	
LTE+GPS	Telit LN930 x 2 (Optional)	Telit LN930 x 1 (Optional)
Function Keys	x2	
LED Indicators	x2	
Speaker	2W x1	
Internal Mic	x1	
Power Requirement	DC 12V	
Security	Smart Card Reader x2 (Optional), RFID x1 (Optional)	

### Display

Display Size	11.6" 16:9 Widescreen LED Panel	
Resolution	FHD 1920 x 1080	
Max. Colors	16.7M	
Contrast Ratio	800:1	
Luminance (cd/m2)	600nits	

### I/O

USB	USB 3.0 (Type-A) x1, USB 2.0 (Type-A) x1	
Ethernet	Gigabit LAN x1	
DC-In	DC-in Jack x1	
Docking	Docking Connector x1	

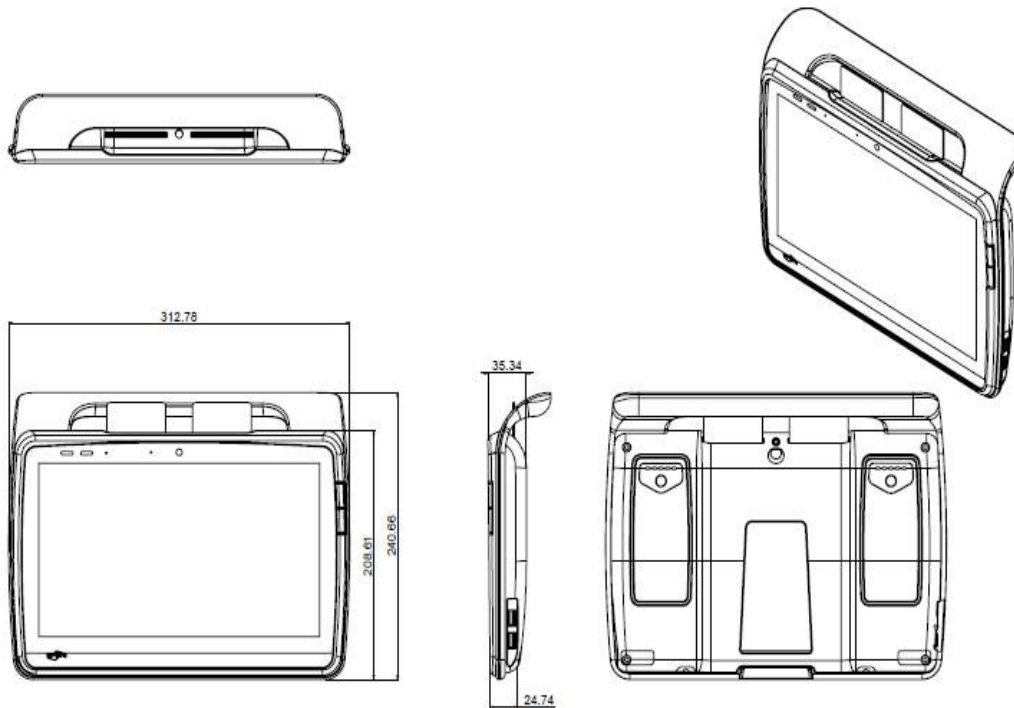
### Battery Pack

Battery Type	Li-ion	
Battery Capacity	4545 mAh (32.72Wh) x2	
Battery Run Time	Approx. 8 hrs	Approx. 3.5 hrs

### Mechanical and Environmental

VESA	VESA 75 via docking station	
Operating Temperature	0° C ~ 40° C (32° F ~ 104° F)	0° C ~ 35° C (32° F ~ 95° F)
Storage Temperature	-20° C ~ 60° C (-4° F ~ 140° F)	
Storage Humidity	10%~95%@40°C, non-condensing	
Dimensions	312 (W) x 239 (H) x 37 (D) mm	
Net Weight	Approx. 1.45~1.8 kg	
Certifications	CE: EN 60601-1-2:2015(V4.0), EN 60601-1:2006/A1:2013(V3.1), EN 300 328 (V2.1.1), EN 301 893 (V2.1.1) FCC: Part 18 Class B, Part 15 C/E UL: ANSI/AAMI ES60601-1:2012 (V3.1) cUL: CAN/CSA-C22.2 No. 60601-1:2014 (V3.1)	

## Dimensions / Unit: mm



## Ordering Information

- » ONYX-MD116ST-A1-1011  
11.6" FHD 600 nits, Gorilla PCT, Apollo Lake N4200, 4 GB RAM, 64 GB SSD, Dual Camera, Dual SCR, RFID, WiFi/BT, Dual Battery, Power Adapter; no GPS/LTE & OS.
- » ONYX-MD116I-P62-A1-0412  
11.6" FHD 600 nits, Gorilla PCT, Sky Lake Core i5, 4GB RAM , 64GB SSD Dual Camera, Dual SCR, RFID, WiFi/BT, Dual Battery, Power Adapter; No LTE/GPS & OS

# MD116 Accessory Selection

## Vehicle Dock

OPM-T016-A2



### Specifications

Description	Vehicle Dock
Input Power	12V
Installations	VESA 75
IO	1x USB 2.0 Type-A 1x USB 3.0 Type-A 1x RJ45 1x Line Out 1x Phoenix Port 1x DC In Jack
LED Indicator	N/A
Dimensions	236.89 x 293.03 x 88.22mm
Weight	800g
Operating Temperature	0°C ~ 40°C(32°F ~ 104°F)
Storage Temperature	-20°C ~ 60°C(-4°F ~ 140°F)

### Optional Accessories

- » OPM-T016-A2  
MD116 Vehicle Docking with Holder

## VESA Cradle

OPM-T021-A1



### Specifications

Description	VESA Cradle
Input Power	N/A
Installations	VESA 75
IO	N/A
LED Indicator	N/A
Dimensions	206.69 x 196.64 x 87.8mm
Weight	395g
Operating Temperature	0°C ~ 40°C(32°F ~ 104°F)
Storage Temperature	-20°C ~ 60°C(-4°F ~ 140°F)

### Optional Accessories

- » OPM-T021-A1  
MD116 VESA Cradle

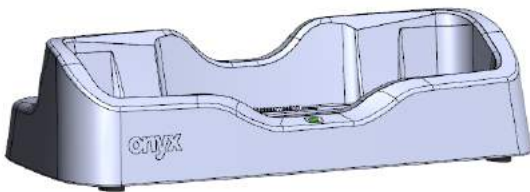


Mobile Medical Assistant

# MD116 Accessory Selection

## Office Dock

OPM-T022-A1



### Specifications

Part Number	OPM-T022-A1
Description	Office Dock
Input Power	12V
Installations	Stationary
IO	2x USB 2.0 Type-A 1x RJ45 1x RS-232 1x DC-In
LED Indicator	Steady Green: Connection LED Off: Disconnection
Dimensions	354 x 117 x 78.2mm
Weight	1060g
Operating Temperature	0°C ~ 35°C(32°F ~ 95°F)
Storage Temperature	-20°C ~ 60°C(-4°F ~ 140°F)

### Optional Accessories

- » OPM-T022-A1  
MD116 Office Dock

## Battery Charger

UP-M62



### Specifications

Description	Battery Charger
Input Power	24V
Installations	Stationary
IO	1x Micro USB (Client) 1x DC-In
LED Indicator	Flickering Blue: Battery Charging Steady Blue: Battery Fully Charged Flickering Purple Green: Error
Dimensions	245.95 x 124.64 x 143.65mm
Weight	860g
Operating Temperature	0°C ~ 35°C(32°F ~ 95°F)
Storage Temperature	-20°C ~ 60°C(-4°F ~ 140°F)

### Optional Accessories

- » UP-M62-A1-1010  
MD116 6-slots Charger

# Surgical and Server Level Workstation Solution

Zeus is the symbol of strength and power, and so does our Medical Station Zeus. It was designed to fulfill surgical high spec requirements such as OR, ICU, ER and Reading Room. Zeus's isolated ports are extremely important as they will connect to devices that are directly connected to the patient. Onyx has spent two years developing the new Zeus Series, the Smart View Medical Station, and it gives doctors crystal clear imaging when viewing PAC, ENDO, or just EMR. Other than surgical suite, Zeus all in one high performance spec will also benefit in ambulatory care, telemedicine, and administration.



## Smart View Design with Worldwide Patents

- » 24"/22"/19" Medical Grade MVA panel. Compared to a normal monitor or industrial LCD, Zeus has rich color content and high contrast ratio. extremely vivid.
- » Multi-touch PCT screen. It guarantees double OR gloves usage, 10 billion click life and up to 95% transparency rate. Zeus enhance the screen performance over 15%.
- » Flat and edgeless ID design give doctors the best-in-market user interaction experience. White color bezel makes cleaning very easy.
- » Patented smart multi function OSD keys covers up to 10 features for RFID, Reading light, display mode, speaker volume, LCD brightness, etc. Zeus can also offer customization.

## ⊕ 1st Intel® Quad Core i7 Platform for Critical Applications

Zeus Series offer ultra high performance Intel® Core i7 LV Dual Core /Quad Core Smart View Medical Station.



## ⊕ Super 3.0 for USB, SATA and PCI-e

Still looking for a faster solution to upload or download medical records?! Zeus comes with latest high speed I/O design (USB3.0, SATA3.0, PCI-E3.0). Super 3.0 gives ten times data rate than before.



## ⊕ DICOM Compliance Display

Zeus supports DICOM Part 14: Grayscale Standard Display Function to display accurate radiology PACS images such as ultrasound, endoscope, CT and MRI images. Users can switch the system from HIS, EMR to PACS or Endo with ease.



## ⊕ MIS with Remote Control Power

Onyx's cooperation with Intel allows Zeus to carry iAMT technology. The MIS manager can handle hundreds, even thousands of Zeus stations from the central room in real time. Hospital IT departments can save huge amounts of time and money on routine maintenance.



## ⊕ Triple Isolation Protection to Patient

Medical isolation rating is 4kV rms (IEC 60601-1), which is crucial to protect patients, operators and medical equipment from harmful surges or spikes in the electrical signal. Zeus offers COM port, USB port and Ethernet Port isolation. We set the highest standard for patient and medical uses.



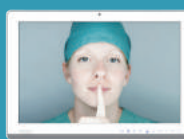
## ⊕ Backup Battery for Uninterruptible Power Supply

Optional built-in battery provides backup power supply for at least 10 minutes to prevent the system from unexpected power disruption.



## ⊕ Full SDK for Enhanced Functions Development

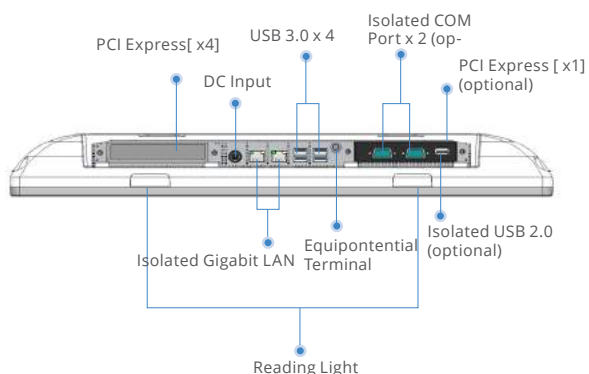
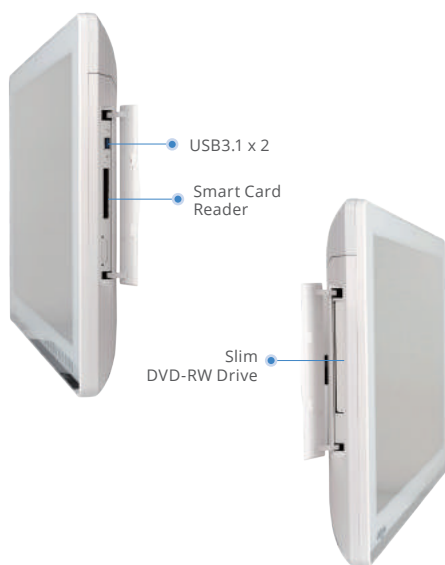
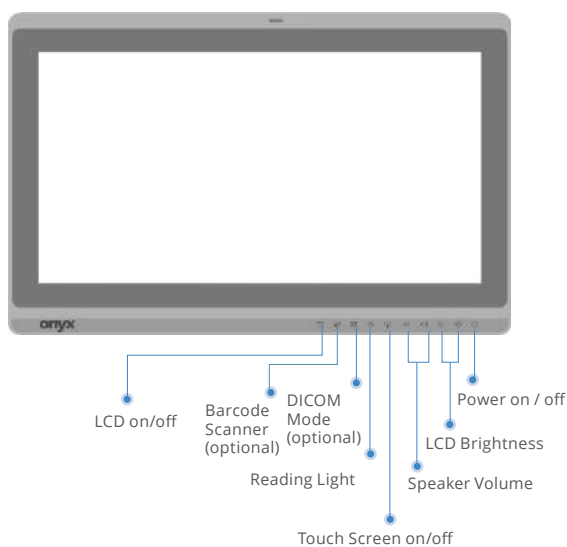
ONYX offers "Access Manager", "Power Monitor", "Control Kit", "Security Watcher" to let system integrators to quickly and efficiently create enhanced and customized environment.



## Surgical and Server Level Workstation

# ZEUS-248

24" Fanless Smart View 6th Generation Core i7 Multi-Touch Medical Station



## Features

- Intel® 6th Generation Core i7-6600U 3.4GHz Dual Core Processor
- 24" 250-nit Full HD High Contrast MVA LCD
- Supports DDR4 SODIMM up to 32GB
- Capacitive Multi-Touch Screen / 5 Wire Resistive Touch Screen
- Easy Cleaning Flat Screen
- 10 Programmable Smart Function Keys with Dual Colors LED Status Indication
- LAN/USB(optional)/COM(optional) Medical Isolation
- Super Speed 10Gb/s USB 3.1 Port
- PCI Express[x4] x 1, PCI Express[x1] , PCI x1(optional)
- Trusted Platform Module / Smart Card Reader(optional) / RFID Reader(optional)
- Remote Management: Intel Active Management Technology
- +12V to +24V wide range DC input
- 22Wh Backup Battery(optional)

## Specifications

### Main Specifications

Processor	Intel® 6th Generation Core i7-6600U 3.4GHz Dual Core
System Memory	DDR4 SODIMM up to 32GB
Expansion	PCI Express[x4] x 1, PCI Express[x1] , PCI x1(optional)
Storage Disk Drive	2.5" SATA Hard Disk Drive/SSD x 1 Slim DVD-RW Drive x 1(optional) M.2 SSD x 1
Security	Trusted Platform Module, Smart Card reader(optional), RFID(optional)
Wireless Communication	802.11a/b/g/n/ac(optional), Bluetooth 4.0 (optional)
Speaker	5W x 2
Function Key	Speaker Volume Up/Down, LCD Brightness Up/Down, LCD On/Off, Touch Screen On/Off, DICOM Mode(optional), Reading Light On/Off
Power Requirement	DC 12-24V, 22Wh Back Up Battery(optional)
OS Support	Windows® 7, Windows® 8.1, Windows® 10, Linux®

### Display

Size	24" LCD
Resolution	1920 x 1080
Luminance	250 nits
View Angle	178°(H)/178°(V)
Contrast Ratio	3000:1
Back Light Life Time	30,000 Hours
Touch Screen	Capacitive Multi-Touch/5-Wire Resistive

### I/O

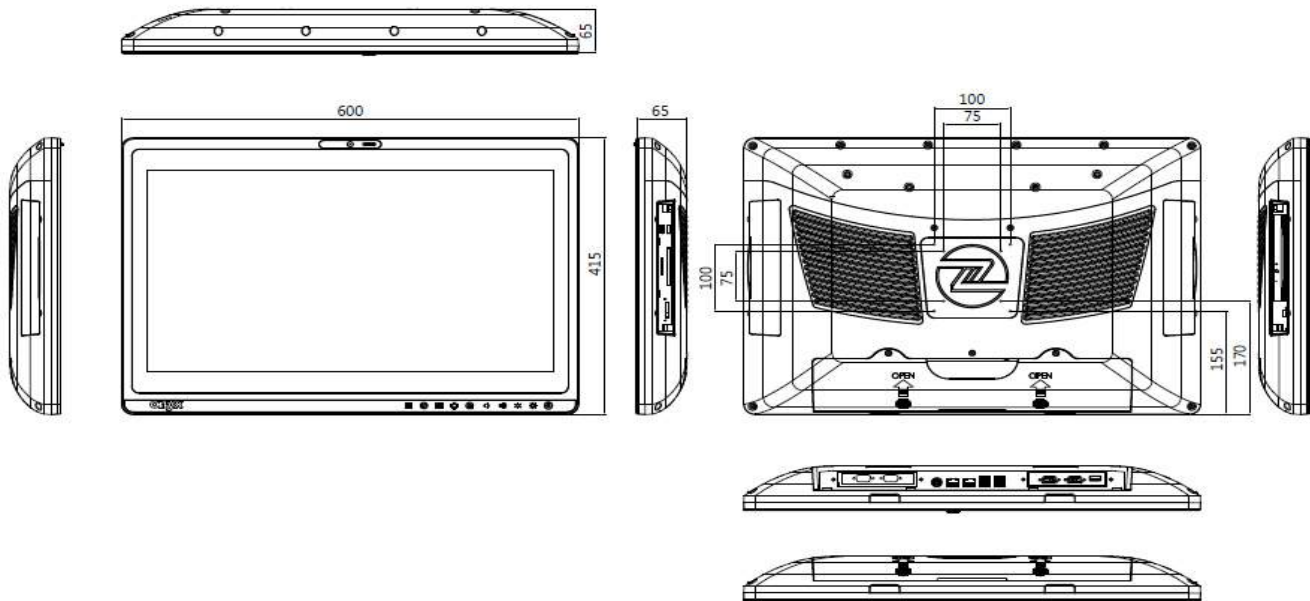
USB	USB 3.0 x 4, USB 3.1 x 2(in side I/O), Isolated USB 2.0 x1(optional)
Serial Port	Isolated RS-232 x 2(optional)
Ethernet	Isolated Gigabit LAN x 2
Audio	Mic(optional)/ Line out(optional)
Video Out	Display Port x 2(optional)

### Mechanical and Environmental

Power Consumption	Full Loading: 60 Watts
Operating Temperature	0°C ~ 40°C(32°F ~ 104°F)
Storage Temperature	-20°C ~ 60°C(-4°F ~ 140°F)
Mounting	VESA 75/100 mm
Degree of Protection	IP65 in the front, IP54 in the back
Net Weight	9.2kg (20.28lb)
Package Dimension (W x D x H)	790 x 220 x 550mm
Certifications	CE: EN 60601-1-2:2015(V4.0), EN 60601-1:2006/A1:2013(V3.1) FCC: Part 18 Class B UL: ANSI/AAMI ES60601-1:2012 (V3.1) cUL: CAN/CSA-C22.2 No. 60601-1:2014 (V3.1)

## 24" Fanless Smart View 6th Generation Core i7 Multi-Touch Medical Station

### Dimension / Unit: mm



### Ordering Information

- |  |   |
|--|---|
| » ZEUS-248ST-A1-1010<br>Medical Station.i7-6600U.4GB RAM.24" LCD.12~24V.Capacitive Touch | » ZEUS-248ET-A1-1010<br>Medical Station.i7-6600U.4GB RAM.24" LCD.12~24V.Resistive Touch |
| » ZEUS-248ST-A2-1010<br>Medical Station.i5-6300U.4GB RAM.24" LCD.12~24V.Capacitive Touch | » ZEUS-248ET-A2-1010<br>Medical Station.i5-6300U.4GB RAM.24" LCD.12~24V.Resistive Touch |
| » ZEUS-248ST-A3-1010<br>Medical Station.i3-6100U.4GB RAM.24" LCD.12~24V.Capacitive Touch | » ZEUS-248ET-A3-1010<br>Medical Station.i3-6100U.4GB RAM.24" LCD.12~24V.Resistive Touch |

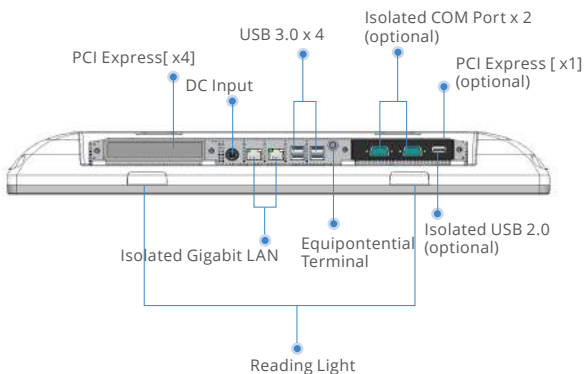
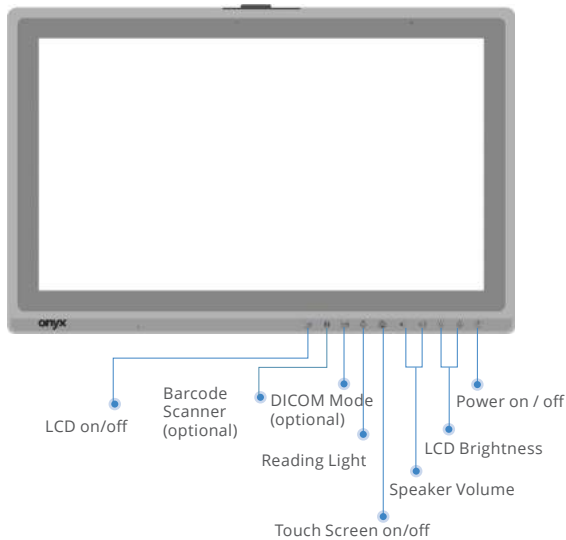
### Optional Accessories

- |   |  |
|---|--|
| » 1255301202<br>Medical Power Adapter, 120W, 24V                        | » OPM-V03B-A2<br>One Display Port Kit                      |
| » OPM-C16W-A6<br>Mini Card WLAN Kit, IEEE 802.11a/b/g/n + Bluetooth 4.0 | » OPM-T017-A1<br>Hot Swap Rack w/Lock Kit for 2.5" HDD/SSD |
| » OPM-T003-A3<br>Slim Slot-in DVD-RW Drive                              | » OPM-T012-A2<br>Two RS-232 Kit                            |
| » OPM-T006-A1<br>Smart Card Reader Kit                                  | » OPM-V04B-A1<br>DICOM Kit                                 |
| » OPM-P03C-A4<br>22Wh Backup Battery                                    | » OPM-R02X-A1<br>PCI Express [X1] Riser Kit                |
| » OPM-C02C-A4<br>Two Isolated RS-232 PCIe Card                          | » OPM-R01P-A1<br>PCI Riser Kit                             |
| » OPM-C02C-A3<br>One Isolated USB 2.0 + Two Isolated R-232 PCIe Card    | » OPM-U01T-A1<br>Line-out/Line-in/Mic Kit                  |
| » OPM-V03B-A1<br>One Display Port + Two RS-232 Kit                      | » OPM-S05R-A3<br>RFID Reader Kit                           |

# Surgical and Server Level Workstation

## ZEUS-228

22" Fanless Smart View 6th Generation Core i7 Multi-Touch Medical Station



### Features

- Intel® 6th Generation Core™ i7-6600U 3.4GHz Dual Core Processor
- 22" 250nits Full HD High Contrast MVA LCD
- Support DDR4 SODIMM up to 32GB
- Capacitive Multi-Touch Screen / 5 Wire Resistive Touch Screen
- Easy Cleaning Flat Screen
- 10 Programmable Smart Function Keys with Dual Colors LED Status Indication
- LAN /USB (optional)/COM(optional) Medical Isolation
- Super Speed 10Gb/s USB 3.1 Port
- PCI Express[x4] x 1, PCI Express[x1] , PCI x1(optional)
- Trusted Platform Module/Smart Card Reader(optional)/RFID Reader(optional)
- Remote Management : Inte Active management Technology
- +12V to +24V Wide Range DC Input
- 22Wh Backup Battery (optional)

### Specifications

#### Main Specifications

Processor	Intel® 6th Generation Core i7-6600U 3.4GHz Dual Core
System Memory	DDR4 SODIMM up to 32GB
Expansion	PCI Express[x4] x 1, PCI Express[x1] , PCI x1(optional) 2.5" SATA Hard Disk Drive/SSD x 1
Storage Disk Drive	Slim DVD-RW Drive x 1(optional) M.2 SSD x 1
Security	Trusted Platform Module, Smart Card reader(optional), RFID(optional)
Wireless Communication	802.11a/b/g/n/ac(optional), Bluetooth 4.0 (optional)
Speaker	5W x 2
Function Key	Speaker Volume Up/Down, LCD Brightness Up/Down, LCD On/Off, Touch Screen On/Off, DICOM Mode(optional), Reading Light On/Off
Power Requirement	DC12~24V, 22Wh Back up battery(optional)
OS Support	Windows® 7, Windows® 8.1, Windows® 10, Linux®

#### Display

Size	22" LCD
Resolution	1920 x 1080
Luminance	250 nits
View Angle	178° (H)/178° (V)
Contrast Ratio	3000:1
Back Light Life Time	30,000 Hours
Touch Screen	Capacitive Multi-Touch/5-Wire Resistive

#### I/O

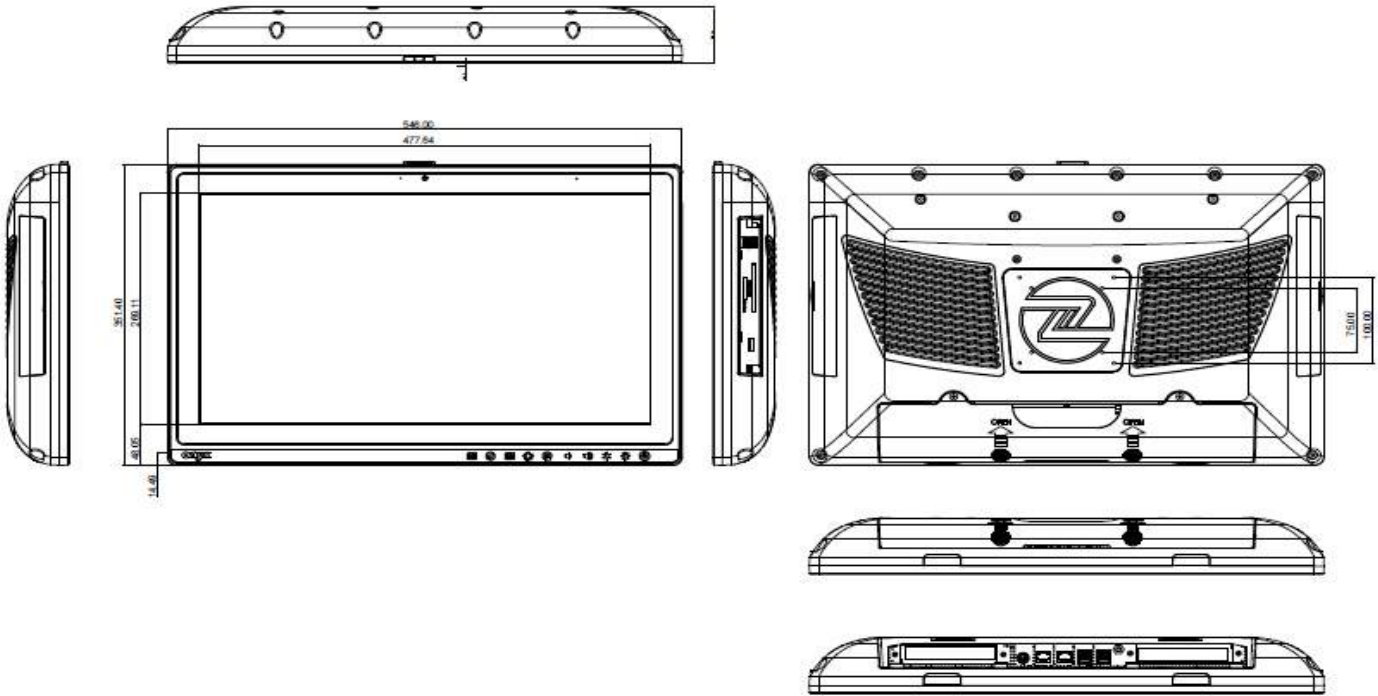
USB	USB 3.0 x 4, USB 3.1 x 2(side I/O) Isolated USB 2.0(optional)
Serial Port	Isolated RS-232 x 2(optional)
Ethernet	Isolated Gigabit LAN x 2
Video Out	Display Port x 2 (optional)

#### Mechanical and Environmental

Power Consumption	Full Loading: 55 Watts
Operating Temperature	0°C ~ 40°C(32°F ~ 104°F)
Storage Temperature	-20°C ~ 60°C(-4°F ~ 140°F)
Mounting	VESA 75/100 mm
Degree of Protection	IP65 in the front, IP54 in the back
Net Weight	8kg (17.6lb)
Package Dimension (W x D x H)	750 x 220 x 490mm
Certifications	CE: EN 60601-1-2:2015(V4.0), EN 60601-1:2006/A1:2013(V3.1) FCC: Part 18 Class B UL: ANSI/AAMI ES60601-1:2012 (V3.1) cUL: CAN/CSA-C22.2 No. 60601-1:2014 (V3.1)

## 22" Fanless Smart View 6th Generation Core i7 Multi-Touch Medical Station

### Dimension / Unit: mm



### Ordering Information

- |  |   |
|--|---|
| » ZEUS-228ST-A1-1010<br>Medical Station.i7-6600U.4GB RAM.22" LCD.12~24V.Capacitive Touch | » ZEUS-228ET-A1-1010<br>Medical Station.i7-6600U.4GB RAM.22" LCD.12~24V.Resistive Touch |
| » ZEUS-228ST-A2-1010<br>Medical Station.i5-6300U.4GB RAM.22" LCD.12~24V.Capacitive Touch | » ZEUS-228ET-A2-1010<br>Medical Station.i5-6300U.4GB RAM.22" LCD.12~24V.Resistive Touch |
| » ZEUS-228ST-A3-1010<br>Medical Station.i3-6100U.4GB RAM.22" LCD.12~24V.Capacitive Touch | » ZEUS-228ET-A3-1010<br>Medical Station.i3-6100U.4GB RAM.22" LCD.12~24V.Resistive Touch |

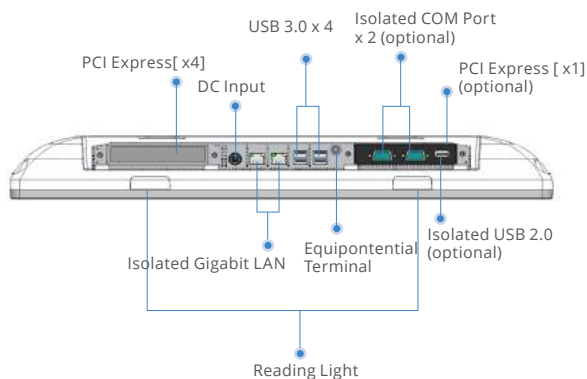
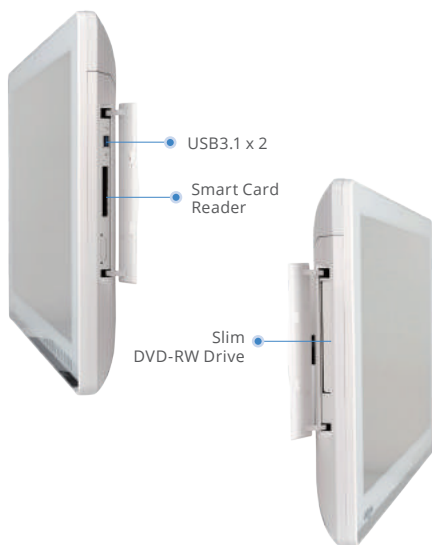
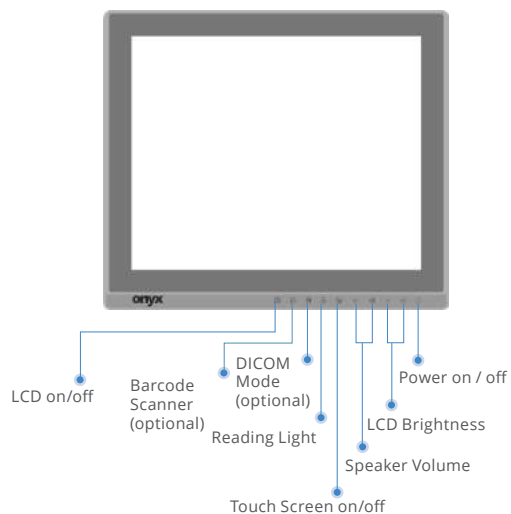
### Optional Accessories

- |   |  |
|---|--|
| » 1255301202<br>Medical Power Adapter, 120W, 24V                        | » OPM-V03B-A2<br>One Display Port Kit                      |
| » OPM-C16W-A6<br>Mini Card WLAN Kit, IEEE 802.11a/b/g/n + Bluetooth 4.0 | » OPM-T017-A1<br>Hot Swap Rack w/Lock Kit for 2.5" HDD/SSD |
| » OPM-T003-A4<br>Slim Slot-in DVD-RW Drive                              | » OPM-T012-A2<br>Two RS-232 Kit                            |
| » OPM-T006-A1<br>Smart Card Reader Kit                                  | » OPM-V04B-A2<br>DICOM Kit                                 |
| » OPM-P03C-A4<br>22Wh Backup Battery                                    | » OPM-R02X-A1<br>PCI Express [X1] Riser Kit                |
| » OPM-C02C-A4<br>Two Isolated RS-232 PCIe Card                          | » OPM-R01P-A1<br>PCI Riser Kit                             |
| » OPM-C02C-A3<br>One Isolated USB 2.0 + Two Isolated R-232 PCIe Card    | » OPM-U01T-A1<br>Line-out/Line-in/Mic Kit                  |
| » OPM-V03B-A1<br>One Display Port + Two RS-232 Kit                      | » OPM-S05R-A2<br>RFID Reader Kit                           |

# Surgical and Server Level Workstation

## ZEUS-198

19" Fanless Smart View 6th Generation Core i7 Multi-Touch Medical Station



### Features

- Intel® 6th Generation Core i7-6600U 3.4GHz Dual Core Processor
- 19" 250-nit SXGA LCD
- Supports DDR4 SODIMM up to 32GB
- Capacitive Multi-Touch Screen / 5 Wire Resistive Touch Screen
- Easy Cleaning Flat Screen
- 10 Programmable Smart Function Keys with Dual Colors LED Status Indication
- LAN/USB(optional)/COM(optional) Medical Isolation
- Super Speed 10Gb/s USB 3.1 Port
- PCI Express[x4] x 1, PCI Express[x1] , PCI x1(optional)
- Trusted Platform Module / Smart Card Reader(optional) / RFID Reader (optional)
- Remote Management: Intel Active Management Technology
- +12V to +24V wide range DC input
- 22Wh Backup Battery(optional)

### Specifications

#### Main Specifications

Processor	Intel® 6th Generation Core i7-6600U 3.4GHz Dual Core
System Memory	DDR4 SODIMM up to 32GB
Expansion	PCI Express[x4] x 1, PCI Express[x1] , PCI x1(optional)
Storage Disk Drive	2.5" SATA Hard Disk Drive/SSD x 1 Slim DVD-RW Drive x 1(optional) M.2 SSD x 1
Security	Trusted Platform Module, Smart Card reader(optional), RFID(optional)
Wireless Communication	802.11a/b/g/n/ac(optional), Bluetooth 4.0 (optional)
Speaker	5W x 2
Function Key	Speaker Volume Up/Down, LCD Brightness Up/Down, LCD On/Off, Touch Screen On/Off, DICOM Mode(optional), Reading Light On/Off
Power Requirement	DC 12-24V, 22Wh Back Up Battery(optional)
OS Support	Windows® 7, Windows® 8.1, Windows® 10, Linux®

#### Display

Size	19" LCD
Resolution	1280x1024
Luminance	250 nits
View Angle	170°(H)/160°(V)
Contrast Ratio	1000:1
Back Light Life Time	30,000 Hours
Touch Screen	Capacitive Multi-Touch/5-Wire Resistive

#### I/O

USB	USB 3.0 x 4, USB 3.1 x 2(in side I/O), Isolated USB 2.0 x1(optional)
Serial Port	Isolated RS-232 x 2(optional)
Ethernet	Isolated Gigabit LAN x 2
Audio	Mic(optional)/ Line out(optional)
Video Out	Display Port x 2(optional)

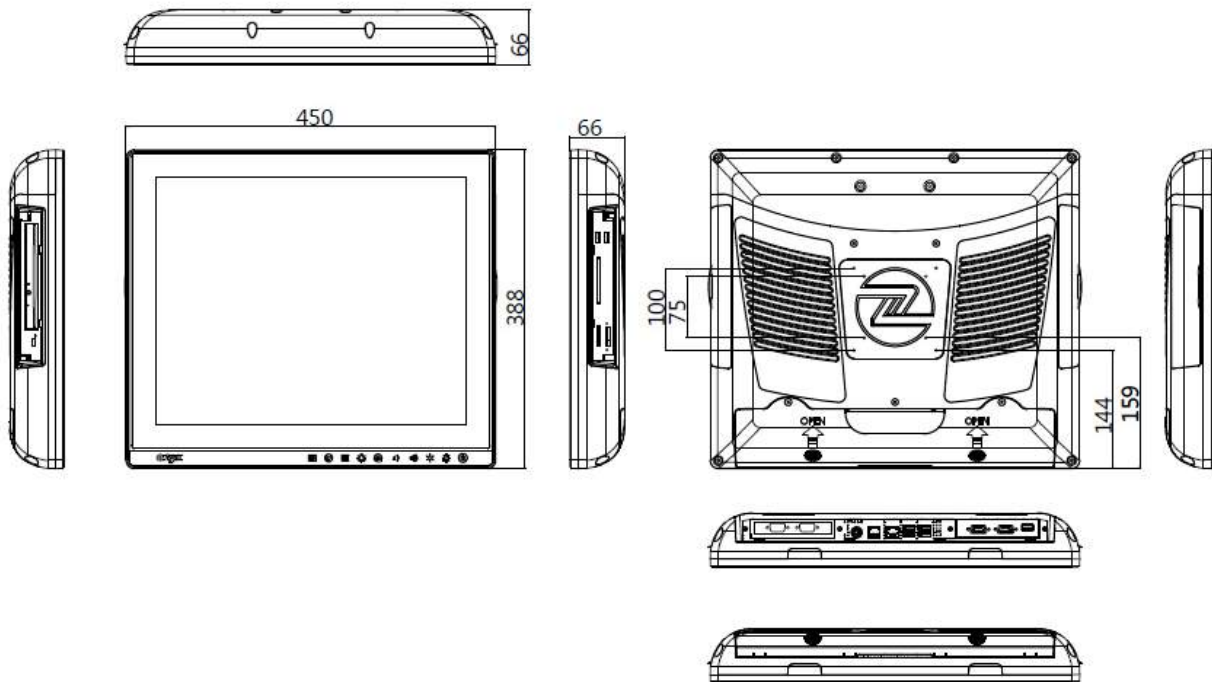
#### Mechanical and Environmental

Power Consumption	Full Loading: 55 Watts
Operating Temperature	0°C ~ 40°C(32°F ~ 104°F)
Storage Temperature	-20°C ~ 60°C(-4°F ~ 140°F)
Mounting	VESA 75/100 mm
Degree of Protection	IP65 in the front, IP54 in the back
Net Weight	7kg (15.43lb)
Package Dimension (W x D x H)	640 x 220 x 520mm
Certifications	CE: EN 60601-1-2:2015(V4.0), EN 60601-1:2006/A1:2013(V3.1) FCC: Part 18 Class B UL: ANSI/AAMI ES60601-1:2012 (V3.1) cUL: CAN/CSA-C22.2 No. 60601-1:2014 (V3.1)



## 19" Fanless Smart View 6th Generation Core i7 Multi-Touch Medical Station

### Dimension / Unit: mm



### Ordering Information

- |  |   |
|--|---|
| » ZEUS-198ST-A1-1010<br>Medical Station.i7-6600U.4GB RAM.19" LCD.12~24V.Capacitive Touch | » ZEUS-198ET-A1-1010<br>Medical Station.i7-6600U.4GB RAM.19" LCD.12~24V.Resistive Touch |
| » ZEUS-198ST-A2-1010<br>Medical Station.i5-6300U.4GB RAM.19" LCD.12~24V.Capacitive Touch | » ZEUS-198ET-A2-1010<br>Medical Station.i5-6300U.4GB RAM.19" LCD.12~24V.Resistive Touch |
| » ZEUS-198ST-A3-1010<br>Medical Station.i3-6100U.4GB RAM.19" LCD.12~24V.Capacitive Touch | » ZEUS-198ET-A3-1010<br>Medical Station.i3-6100U.4GB RAM.19" LCD.12~24V.Resistive Touch |

### Optional Accessories

- |   |  |
|---|--|
| » 1255301202<br>Medical Power Adapter, 120W, 24V                        | » OPM-V03B-A2<br>One Display Port Kit                      |
| » OPM-C16W-A6<br>Mini Card WLAN Kit, IEEE 802.11a/b/g/n + Bluetooth 4.0 | » OPM-T017-A1<br>Hot Swap Rack w/Lock Kit for 2.5" HDD/SSD |
| » OPM-T003-A3<br>Slim Slot-in DVD-RW Drive                              | » OPM-T012-A2<br>Two RS-232 Kit                            |
| » OPM-T006-A1<br>Smart Card Reader Kit                                  | » OPM-V04B-A1<br>DICOM Kit                                 |
| » OPM-P03C-A4<br>22Wh Backup Battery                                    | » OPM-R02X-A1<br>PCI Express [X1] Riser Kit                |
| » OPM-C02C-A4<br>Two Isolated RS-232 PCIe Card                          | » OPM-R01P-A1<br>PCI Riser Kit                             |
| » OPM-C02C-A3<br>One Isolated USB 2.0 + Two Isolated R-232 PCIe Card    | » OPM-U01T-A1<br>Line-out/Line-in/Mic Kit                  |
| » OPM-V03B-A1<br>One Display Port + Two RS-232 Kit                      | » OPM-S07R-A2<br>RFID Reader- Kit                          |

# Operating Room Solution

In a digital operating room, important information and images such as patient vital signs, surgical images, and xray images need to be displayed all at once. With the latest technology, ACCEL series offers large screen ultra high definition 4K resolution display, Intel Xeon / Core i7 quad core processor, AMD Ryzen Embedded V1000 Processor capacitive multi-touch screen and multiple video inputs to improve display quality and work efficiency.



## 32-inch 4K UHD High Resolution & High Brightness Display

- » » Intel Quad Core Xeon Platform / AMD Ryzen Embedded V1000 Processor
- » » Triple PCI Express Slot for High End Graphics, Fiber LAN and UHD Video Capture
- » » Enhance functional for Medical Imaging
- » » IP66 Certified, Antimicrobial Surface Coatin and Fanless

## +

**32-inch 4K UHD High Resolution & High Brightness Display**

ACCEL series offers 32-inch 3240x2160 resolution high brightness display for high resolution medical imaging



## +

**Intel® Quad Core Xeon Platform**

For mission-critical medical application, Intel Quad Core Xeon Processor provides cutting edge computing power and ECC(Error-correcting code) memory helps preserve the integrity of your data, prevent data corruption, and prevent system crashed and failures.



## +

**Triple PCI Express Slot for High End Graphics, Fiber LAN and UHD Video Capture**

ACCEL surgical station provide one PCI Express[x16] slot, one PCI Express[x4] slot and one PCI Express[x1] slot for installing high end graphics card, NVIDIA Tesla GPU accelerator, fiber 10GbE LAN card and 4K UHD video capture card.



## +

**Enhance functional for Medical Imaging**

ACCEL surgical monitor provides the embedded solutions for Medical Imaging, the multipicture functionality and backlight sensor could automatic to adjust the image to ensure a user has the most clearly diagnostic.



## +

**IP66 Certified, Antimicrobial Surface Coatin and Fanless**

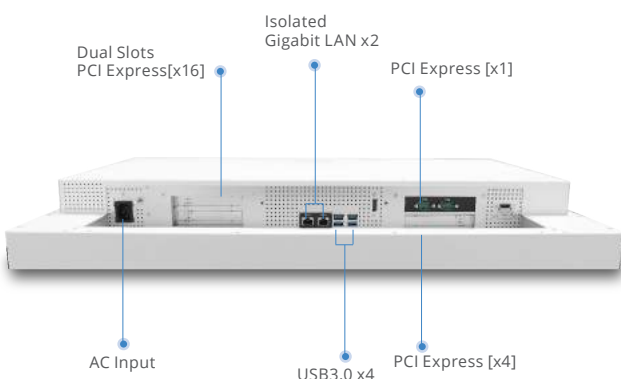
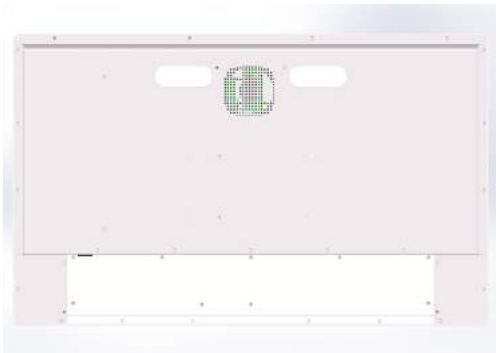
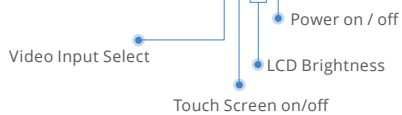
ACCEL surgical monitor has IP66 certified gives the complete protection against contact from dust and powerful jets of water. and the Antimicrobial Surface Coating which could provide the best clean and healthy environment



## Operating Room Solution

# ACCEL-A3201

32" 4K UHD Smart View 6th Generation Xeon / Core i7 Multi-Touch Surgical Station



## Features

- Intel® 6th Generation Xeon E3-1505M v5 2.8GHz Quad Core / Core i7-6820EQ 2.8GHz Quad Core
- Supports ECC / Non-ECC DDR4 SODIMM up to 32GB
- 32" UHD 3840x2160 350/700-nit High Contrast LCD
- Capacitive Multi-Touch Screen
- 5 Programmable Smart Function Keys with Dual Colors LED Status Indication
- LAN/USB(optional)/COM(optional) Medical Isolation
- Dual Slots PCI Express[x16] x1, PCI Express[x4] x1, PCI Express[x1]x1
- Trusted Platform Module 2.0
- Remote Management: Intel Active Management Technology
- 100V to 240V AC Input

## Specifications

### Main Specifications

Processor	Intel® 6th Generation Xeon E3-1505M v5 2.8GHz Quad Core / Core i7-6820QE 2.8GHz Quad Core
Chipset	CM236 (for Xeon) / QM170(for Core i7)
System Memory	ECC (for Xeon) / Non-ECC (for Core i7) DDR4 SODIMM up to 32GB
Expansion	PCI Express[x16] x1, PCI Express[x4] x1, PCI Express[x1] x1
Storage Disk Drive	2.5" SATA Hard Disk Drive/Solid State Disk Drive x2
Security	Trusted Platform Module 2.0
Wireless Communication	802.11ac/a/b/g/n, Bluetooth V4.1/V 4.2
Speaker	5W x 2
Function Key	Power On/Off, LCD, Brightness Up/Down, Touch Screen On/Off, Video Input Select
Power Requirement	100~240V AC
OS Support	Windows® 7, Windows® 8.1, Windows® 10, Linux®

### Display

Size	32" LCD
Resolution	3840 x 2160
Luminance	350 nits / 700 nits
View Angle	178°(H)/178°(V)
Contrast Ratio	1000:1 / 1350:1
Back Light Life Time	30,000 Hours
Touch Screen	Capacitive Multi-Touch

### I/O

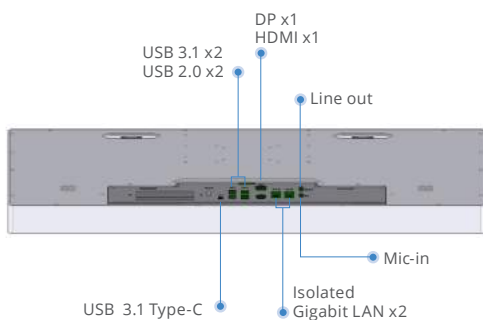
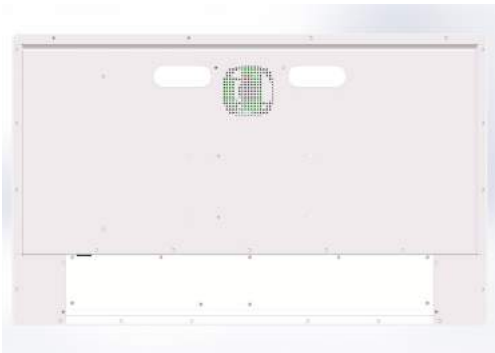
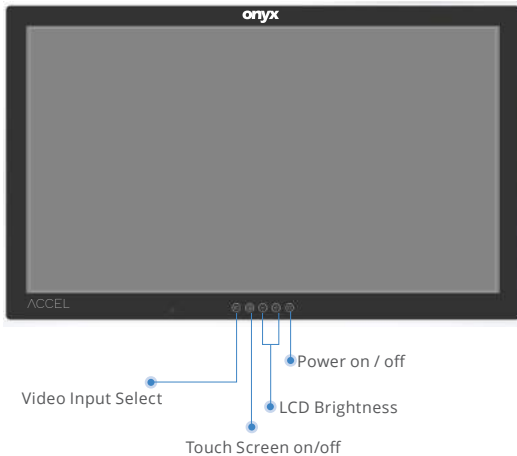
USB	USB 3.0 x4
Serial Port	Isolated RS-232 x2(optional)
Ethernet	Isolated Gigabit LAN x2
Audio	Mic(optional), Line out(optional)
Video Out	Display Port 1.4 x1
Video In	HDMI x1

### Mechanical and Environmental

Power Consumption	Full loading : 90 Watts for 350 nits LCD Full loading : 165 Watts for 700 nits LCD
Operating Temperature	0°C ~ 35°C(32°F ~ 95°F)
Storage Temperature	-20°C ~ 60°C(-4°F ~ 140°F)
Mounting	VESA 100mm
Degree of Protection	IP54
Net Weight	18.5 kg
Gross weight	21.5 kg
Package Dimension (W x D x H)	910 x 618 x 220 (mm)
Certifications	CE: EN 60601-1-2:2015(V4.0), EN 60601-1:2006/A1:2013(V3.1) FCC: Part 18 Class B UL: ANSI/AAMI ES60601-1:2012 (V3.1) cUL: CAN/CSA-C22.2 No. 60601-1:2014 (V3.1)

# Operating Room Solution ACCEL-A3202

## 32" 4K UHD Smart View AMD Ryzen Embedded V1000 Multi-Touch Surgical Station



### Features

- AMD Ryzen Embedded V1000 Quad Core up to 3.8GHz
- Supports ECC / Non-ECC DDR4 SODIMM up to 32GB
- 32" UHD 3840x2160 350-nit High Contrast LCD
- Capacitive Multi-Touch Screen
- 5. Programmable Smart Function Keys with Dual Colors LED Status Indication
- PCI Express[x4] x1
- Support two 4K monitors with Display Port 1.2 x1 & HDMI 2.0 x1
- 100V to 240V AC Input

### Specifications

#### Main Specifications

Processor	AMD Ryzen Embedded V1807B 3.8GHz Quad Core
System Memory	ECC / Non-ECC DDR4 SODIMM up to 32GB
Expansion Interface	PCI Express[x4] x1
Storage Disk Drive	2.5" SATA Hard Disk Drive/Solid State Disk Drive x1
Security	fTPM 2.0
Wireless Communication	802.11ac/a/b/g/n, Bluetooth V4.1 / V4.2
Speaker	5W x 2
Function Key	Power On/Off, LCD Brightness Up/Down, Touch Screen On/Off, Video Input Select
Power Requirement	100~240V AC
OS Support	Windows® 10, Linux®

#### Display

Size	32" LCD
Resolution	3840 x 2160
Luminance	350 nits
View Angle	178°(H)/178°(V)
Contrast Ratio	1000:1
Back Light Life Time	30,000 Hours
Touch Screen	Capacitive Multi-Touch

#### I/O

USB	USB 3.1 Type-C x 1, USB 3.1 Type-A x 2, USB 2.0 x 2
Serial Port	Isolated RS-232 x2(optional)
Ethernet	Gigabit LAN x2
Audio	Mic, Line out
Video In	HDMI x1
Video Out	Display Port 1.2 x1, HDMI 2.0 x1

#### Mechanical and Environmental

Power Consumption	Full loading : 80 Watts
Operating Temperature	0°C ~ 35°C(32°F ~ 95°F)
Storage Temperature	-20°C ~ 60°C(-4°F ~ 140°F)
Mounting	VESA 100mm
Degree of Protection	IP54
Net Weight	14.5 kg
Gross weight	17.5 kg
Package Dimension (W x D x H)	910 x 618 x 220 (mm)
Certifications	CE: EN 60601-1-2:2015(V4.0), EN 60601-1:2006/A1:2013(V3.1) FCC: Part 18 Class B UL: ANSI/AAMI ES60601-1:2012 (V3.1) cUL: CAN/CSA-C22.2 No. 60601-1:2014 (V3.1)

# Operating Room Solution ACCEL-M3201

## 32" 4K-UHD Medical LCD Monitor



### Features

- 32" Display with UHD 4K (3840 x 2160) native resolution
- Thin and compact design with impact resistant screen
- 3D Look Up Table (LUT) providing rich and deep depth perception
- Fanless and ventless design, easy-to-clean
- Wide view angle 178°(H)/178°(V)
- True Flat Screen with PCT Touch
- Invisible OSD Design
- Antimicrobial Surface Coating

### Specifications

#### Display

Size	32"
Resolution	3840 x 2160 (UHD 4K)
Aspect Ratio	16:9, Full, 16:10, 4:3, 5:4, 1:1
Brightness (Typ.)	350 nits
Viewing Angle (CR=10)(Typ.)	178° (H)/178° (V)
Contrast Ratio (Typ.)	1000:1
Touch Screen	Projective capacitive touch screen (optional)

#### System

OS Support	Windows® XP, Windows® 7, Windows® 10
Image Support	DICOM , Gamma correction ,3DLUT , 1DLUT
Further Features	Ambient light sensor, IR Control

#### I/O

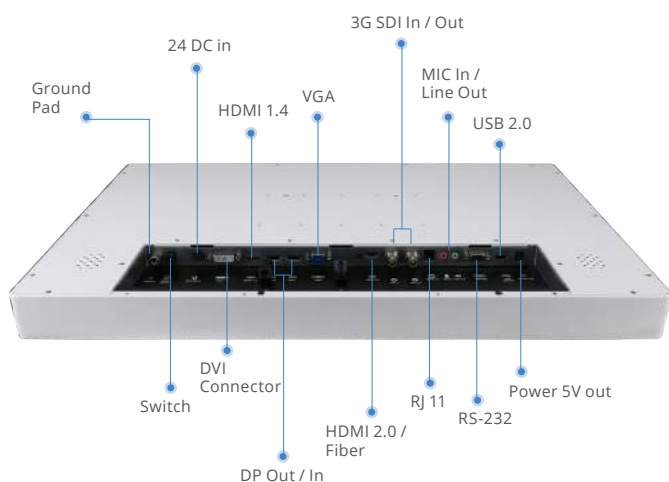
Input Signal	3G SDI x 1 VGA x 1 HDMI 2.0 x1 Dual DVI in x1 DP 1.2 x1 HDMI 1.4 x1 Audio In x1
Output Signal	DP (Multi-Stream Transport) x 1 Audio Out x 1 5V out x 1 SDI (Loop Through), support to 1080P* x 1

#### Mechanical and Environmental

Power Consumption	24V DC in 150W, with external 110-240V AC to DC Adapte
Operating Temperature	5°C ~ 40°C(41°F ~ 104°F)
Storage Temperature	-10°C ~ 60°C(14°F ~ 140°F)
Storage Humidity	10%~90%@35°C, non-condensing
Housing	Antimicrobial Surface Coating
IP Rating	Protection: front IP65 - rear IP22
Net Weight	11 kg (24.2lbs)
Gross weight	13 kg
Dimension	777.58 x 477.62 x 48 mm
Certifications	CE: EN 60601-1:2005 + A1:2015 (Ed. 4.0) EN 60601-1:2006/A1:2013/A12:2014(V3.1) UL : ANSI/AAMI ES60601-1:2005/ A1:2012 and C1:2009/(R)2012 and A2:2010/(R)2012 cUL: CAN/CSA-C22.2 No.60601-1:14 FCC part 15B

### Order information

- » ACCEL-M3201-P00-A1-0000  
32" 4K UHD.350nits LCD Monitor, P-Cap.3G SDI x1, VGA x1, HDMIx2.1. DVI x1, DP x1.Med adapter
- » ACCEL-M3201-G00-A1-0000  
32" 4K UHD.350nits LCD Monitor.3G SDI x1, VGA x1, HDMIx1.DVI x1, DP x1.Med adapter



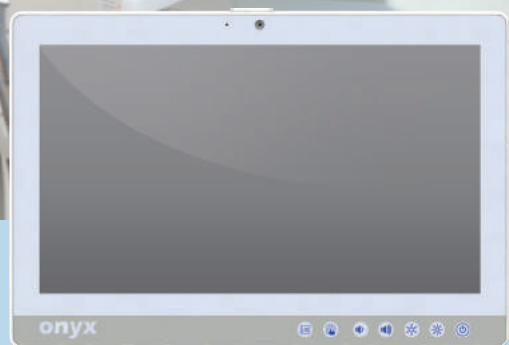
# Slim Fanless Medical Panel PC

The Slim Medical Panel PC is designed to meet the requirements and still be cost effective. It is running an Intel Atom processor, and it included all necessary input slots within its ultra slim chassis. The flexibility of slim fanless all in one medical panel PC is perfect for hospital applications such as mobile nursing station, wall-mount diagnosis panel, pharmacy automation and hospital administration automation.



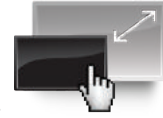
## Fanless Slim Panel PC Solution

- »» Green Operation
- »» Flexible Power Input
- »» High Speed Wireless Data Transmission
- »» Processing in Compact Size
- »» Small to large LCD Choices
- »» Quiet, Clean & Easy Maintenance



## + Small to Large LCD Choices

Slim Medical Panel PC offers four LCD sizes to fulfill the requirements of various hospital applications. 10.1" (Resolution:1280x800), 12"(Resolution:1366x768), 15.6"(Resolution:1920x1080), 17"(Resolution:1280x1024), 18.5"(Resolution:1366x768).



## + Quiet, Clean & Easy to Maintain

Slim Medical Panel PCs utilize a large fanless heatsink on the back cover to efficiently dissipate heat generated from the processor and chipset. The Fanless cooling design keeps the environment quiet, clean and lowers maintenance efforts.



## + Green & Compact Size for Operation

Less than 50W power consumption keeps Slim Medical Panel PC operating and extends the battery life of mobile medical carts. With narrow edge and monitor like chassis, it is easy and space friendly to users.



## + Wide Range Power Input for Different Carts

Slim Medical Panel PCs are designed to accept +9V to +30V DC power input. This wide range power input allows ease of operation with the battery source. It can integrate with Metro, Ergatron, ITD, Howard, and all major computer carts seamlessly.



## + Dual Antennas with Best WLAN performance

With two antennas built into the Slim Medical Panel PCs, massive medical records and PACS images can be transferred through IEEE 802.11ac/a/b/g/n wireless LAN up to 300Mbps/sec.

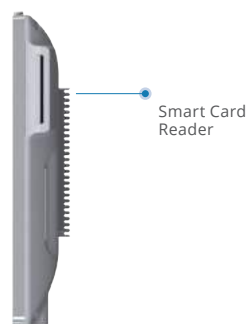
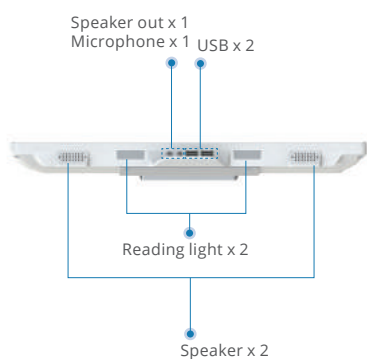
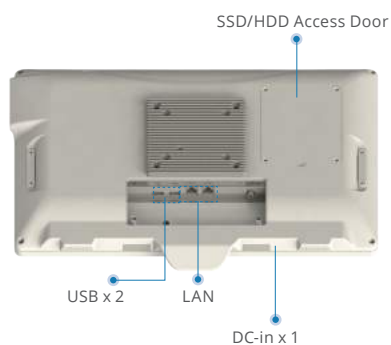
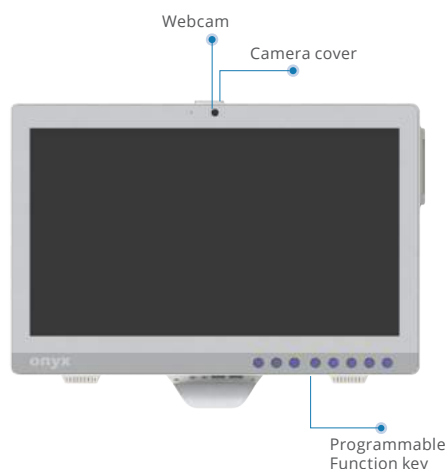




## Fanless Slim Panel HIT Solution

# ONYX-BE182

18.5" Fanless J1900 Quad Core Slim Medical Panel PC



## Features

- Intel® J1900 2.42GHz Quad Core Processor
- 18.5" Wide Color TFT LCD Touch Terminal
- PCT for supporting Multi-Touch
- Wire Remote-Control w/ Handset Function
- VOIP Phone, Webcam, High Quality Speaker, MSR, Smart Card Reader
- Reading Light
- Extension Feature: RFID, Barcode Scanner
- IP65 Water Proof in front
- EN 60601-1, UL 60601-1

## Specifications

### Main Specifications

Processor	Intel® Celeron J1900 Quad Core 2.42GHz
System Memory	Supports DDR3 SODIMM up to 8GB
Expansion Interface	Mini Card x 2
Storage Disk Drive	2.5" SATA Hard Disk Drive/SSD x 1
Security	Trusted Platform Module, Smart Card Reader (optional), MSR (optional), RFID (optional)
Wireless communication	802.11b/g/n(optional), Bluetooth 4.0 (optional)
Speaker	3W x 2
Function Key	Speaker Volume Up/Down, LCD Brightness Up/Down
Power Requirement	DC 12~24V
OS Support	Windows 7, Window 8.1, Window 10, Linux

### Display

Size	18.5" (16:9) Color TFT LCD
Resolution	1366 x 768
Max. Colors	16.7M
Luminance	300 nits
View Angle	170(H)/160(U)
Contrast Ratio	1000:1
MTBF	30,000 Hours
Touch Screen	Projected Capacitive Touch / 5-Wire Resistive Touch

### I/O

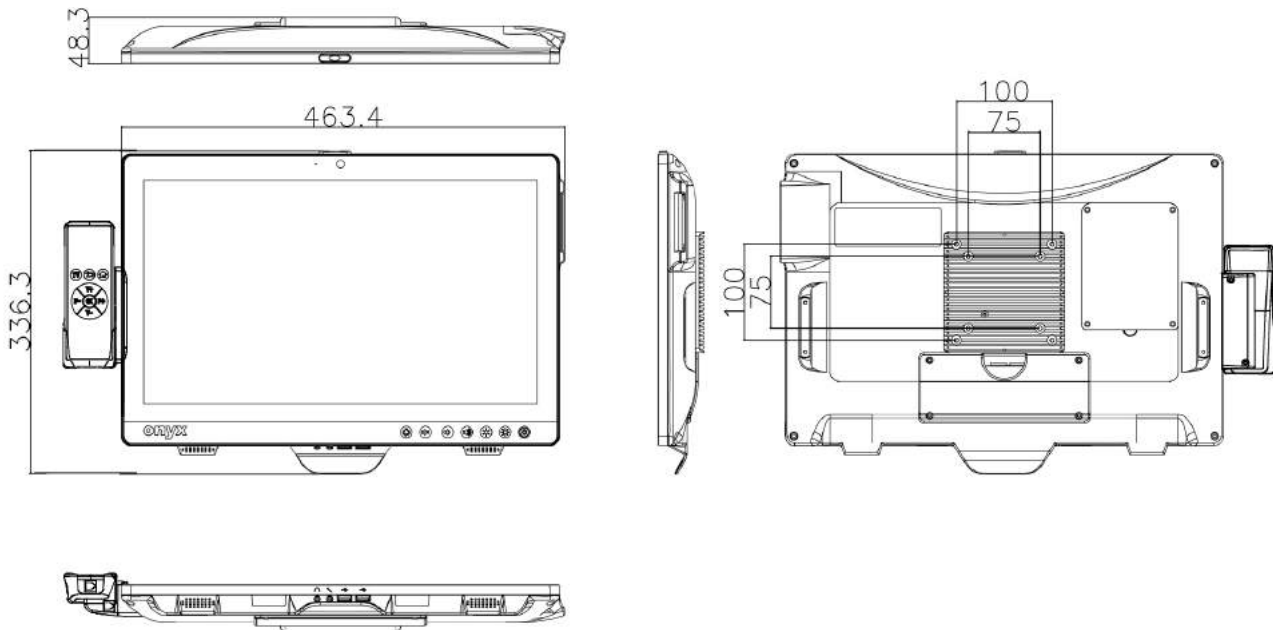
USB	USB2.0 x 4
Serial Port	Isolated RS-232 x 1
Ethernet	Isolated Gigabit LAN x 2
Audio	Mic-in, Line-out

### Mechanical and Environmental

Infection Control	Anti-Bacteria (optional)
Power Requirement	DC 12V ~24V
Operating Temperature	0°C ~ 40°C(32°F ~ 104°F)
Storage Temperature	-20°C ~ 60°C(-4°F ~ 140°F)
Mounting	VESA 75/100 mm
Degree of protection	Front Panel: IP65; Whole Unit: IPX1
Net Weight	4.2 kg
Package Dimension (W x D x H)	721 x 224 x 464 mm
Certifications	CE: EN 60601-1-2:2015, EN 60601-1:2006/A1:2013 FCC: Part 18 Class B UL: ANSI/AAMI ES60601-1:2012 cUL: CAN/CSA-C22.2 No. 60601-1:2014

## 18.5" Fanless J1900 Quad Core Slim Medical Panel PC

## Dimension / Unit: mm



## Ordering Information

- » ONYX-BE182DT-A1-1010  
18.5" Infotainment Terminal. Intel Quad-Core J1900. 2G RAM. Fanless. Resistive Touch. Reading Light. Webcam. Smart Card Reader
- » ONYX-BE182DT-F1-1010  
18.5" Infotainment Terminal. Intel Quad-Core J1900. 2G RAM. Fanless. Resistive Touch. Reading Light. Webcam. Smart Card Reader. RFID
- » ONYX- BE182DT-A2-1010  
18.5" Infotainment Terminal. Intel Quad-Core J1900. 2G RAM. Fanless. PCT Touch. Reading Light. Webcam. Smart Card Reader
- » ONYX-BE182DT-F2-1010  
18.5" Infotainment Terminal. Intel Quad-Core J1900. 2G RAM. Fanless. PCT Touch. Reading Light. Webcam. Smart Card Reader. RFID

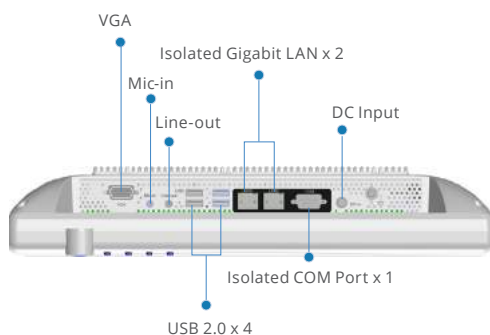
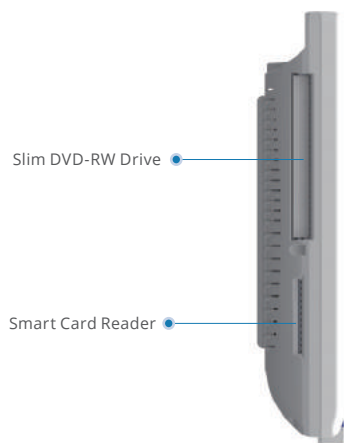
## Optional Accessories

- » 1757306039  
Medical Power Adapter, 60W, 12V
- » OPM-H04A  
ARM, Wall Mount, VESA 75/100, 1~7kg
- » OPM-T009-A1  
Handset and Wire Remote Control
- » OPM-T009-A2  
Handset and Wire Remote Control + 2D Barcode Scanner
- » OPM-C16W-A5  
WLAN kit. 802.11 a/b/g/n + Bluetooth 4.0LE/ 3.0HS/ 2.1EDR for BE182
- » OPM-S02C-A1  
MSR for BE381
- » TF-PER-M50  
Bedside Wall Mount Long Arm, 1~6kg, VESA 75/100
- » OPM-H13A-A1  
Bedside Wall Mount Long Arm, 1~6kg, VESA 75/100

# Fanless Slim Panel HIT Solution

## ONYX-1731

17" Fanless J1900 Quad Core Slim Medical Panel PC



### Features

- Intel Celeron J1900 2.42GHz Quad Core Processor
- 17" High Brightness 350 nits SXGA LCD
- Supports DDR3L SODIMM up to 8GB
- 5-wire Resistive Touch Screen
- COM/LAN Medical Isolation
- Trusted Platform Module / Smart Card Reader(optional) / RFID Reader(optional)
- 802.11ac/a/b/g/n Wireless LAN(optional)
- +12V to +24V wide range DC input

### Specifications

#### Main Specifications

Processor	Intel® Celeron J1900 Quad Core 2.42GHz
System Memory	Supports DDR3L SODIMM up to 8GB
OS Support	Windows® 7, Windows® 8.1, Windows® 10, Linux®
Expansion Interface	Mini Card x 1
Storage Disk Drive	mSATA SSD x 1, Slim DVD-RW Driver x 1 (optional)
Security	Trusted Platform Module, Smart Card Reader(optional), RFID Reader(optional)
Function Key	Speaker Volume Up/Down, LCD Brightness Up/Down
Wireless Communication	802.11ac/a/b/g/n(optional), Bluetooth 4.0(optional)
Speaker	3W x 2
Power Requirement	DC 12~24V

#### Display

Size	17" LCD
Resolution	1280 x 1024
Luminance	350 nits
View Angle	170°(H)/160°(V)
Contrast Ratio	1000:1
Back Light Life Time	> 30,000 hours
Touch Screen	5-wire Resistive

#### I/O

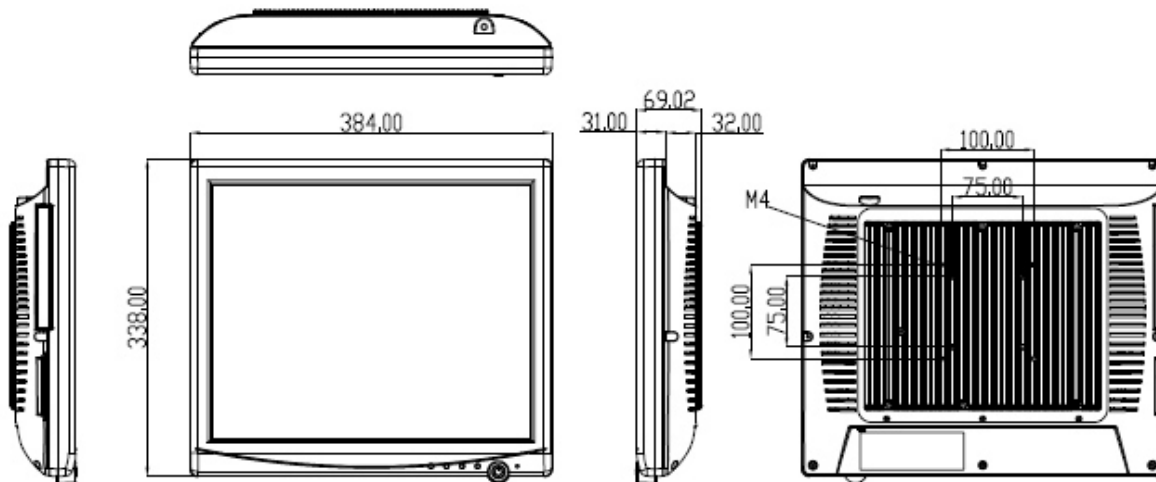
USB	USB 2.0 x 4
Serial Port	Isolated RS-232 x 1
Ethernet	Isolated Gigabit LAN x 2
Video Out	VGA x 1
Audio	Mic-in, Line-out

#### Mechanical and Environmental

Power Consumption	Full loading: 21 Watts
Operating Temperature	0°C ~ 40°C(32°F ~ 104°F)
Storage Temperature	-20°C ~ 60°C(-4°F ~ 140°F)
Mounting	VESA 75/100 mm
Degree of Protection	IP65 in the front, IPX1
Net Weight	5.6kg (12.32lb)
Package Dimension (W x D x H)	630 x 250 x 640 mm
Certifications	CE: EN 60601-1-2:2015(V4.0), EN 60601-1:2006/A1:2013(V3.1) FCC: Part 18 Class B UL: ANSI/AAMI ES60601-1:2012 (V3.1) cUL: CAN/CSA-C22.2 No. 60601-1:2014 (V3.1)

## 17" Fanless J1900 Quad Core Slim Medical Panel PC

## Dimension / Unit: mm



## Ordering Information

- » ONYX-1731DTT-A1-1010  
Slim Medical Panel PC, 17" LCD, Intel Celeron J1900, 2GB RAM, DC 12~24V, Resistive Touch
- » ONYX-1731DTT-A2-1010  
Slim Medical Panel PC, 17" LCD, Intel Celeron J1900, 2GB RAM, DC 12~24V, Resistive Touch, RFID Reader

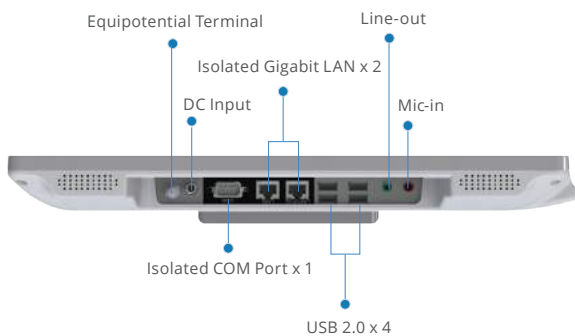
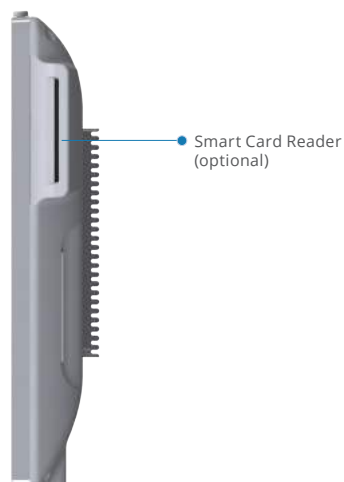
## Optional Accessories

- » 1255300657  
Medical Power Adapter, 60W, 24V
- » OPM-T008-A1  
Smart Card Reader Kit
- » OPM-T007-A4  
Slim Slot-in DVD-RW Drive
- » OPM-C16W-A0  
WLAN Kit, IEEE 802.11a/b/g/n + Bluetooth 4.0
- » 968C128G45  
128G mSATA SSD

## Fanless Slim Panel HIT Solution

# ONYX-1531

15.6" Fanless J1900 Quad Core Slim Medical Panel PC



## Features

- Intel® Celeron J1900 2.42GHz Quad Core Processor
- 15.6" High Brightness 300-nit Full HD LCD
- Supports DDR3L SODIMM up to 8GB
- 5-wire Resistive Touch Screen / Capacitive Multi-Touch Screen
- Easy Cleaning Flat Screen
- 7 Programmable Smart Function Keys
- COM/LAN Medical Isolation
- 2.0M Pixels Camera with Mic (optional)
- Handset Phone (optional)
- Trusted Platform Module / Smart Card Reader(optional) / MSR(optional) / RFID Reader(optional)
- +12V to +24V wide range DC input / Power over Ethernet(optional)

## Specifications

### Main Specifications

Processor	Intel® Celeron J1900 Quad Core 2.42GHz
System Memory	Supports DDR3L SODIMM up to 8GB
Expansion Interface	Mini Card x 1
Storage Disk Drive	2.5" SATA Hard Disk Drive/SSD x 1, mSATA SSD x 1
Security	Trusted Platform Module, Smart Card Reader (optional), MSR (optional), RFID (optional)
Wireless Communication	802.11a/b/g/n(optional), Bluetooth 4.0 (optional)
Speaker	3W x 2
Function Key	Speaker Volume Up/Down, LCD Brightness Up/Down
Power Requirement	DC 12-24V / Power over Ethernet (optional)
OS Support	Windows 7, Window 8.1, Windows10, Linux

### Display

Size / Type	15.6" LCD
Max. Resolution	1920 x 1080
Luminance(cd/m2)(TYP)	300 nits
Max. Colors	16.7 M
Viewing Angle	160°(H)/140°(V)
Contrast Ratio	700:1
Back Light Life Time	> 15,000 hours
Touch Screen	5-Wire Resistive / Capacitive Multi-Touch

### I/O

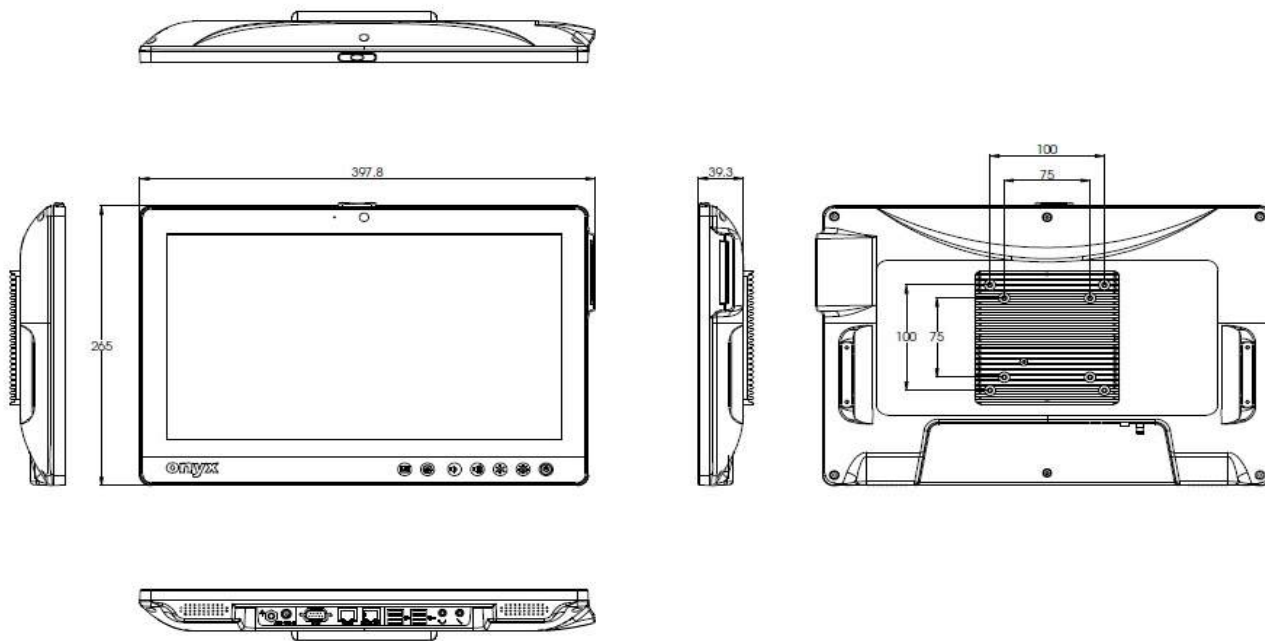
USB	USB 2.0 x 4
Serial Port	Isolated RS-232 x 1
Ethernet	Isolated Gigabit LAN x 2
Audio	Mic-in, Line-out

### Mechanical and Environmental

Power Consumption	Full loading: 19 Watts
Operating Temperature	0°C ~ 40°C(32°F ~ 104°F)
Storage Temperature	-20°C ~ 60°C(-4°F ~ 140°F)
Mounting	VESA 75/100 mm
Degree of Protection	IP65 in the front, IPX1
Net Weight	2.8 kg (6.2lb)
Gross Weight	6.5 kg (14.33lb)
Package Dimension (W x D x H)	721 x 224 x 464mm
Certifications	CE: EN 60601-1-2:2015(V4.0), EN 60601-1:2006/A1:2013(V3.1) FCC: Part 18 Class B UL: ANSI/AAMI ES60601-1:2012 (V3.1) cUL: CAN/CSA-C22.2 No. 60601-1:2014 (V3.1)

## 15.6" Fanless J1900 Quad Core Slim Medical Panel PC

### Dimension / Unit: mm



### Ordering Information

- » ONYX-1531ET-A1-1010  
Slim Medical Panel PC, 15.6" LCD, Intel Celeron J1900, 2GB RAM, DC 12-24V, Resistive Touch
- » ONYX-1531ST-A1-1010  
Slim Medical Panel PC, 15.6" LCD, Intel Celeron J1900, 2GB RAM, DC 12-24V, Capacitive Touch

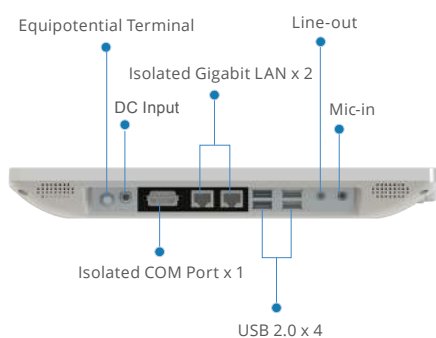
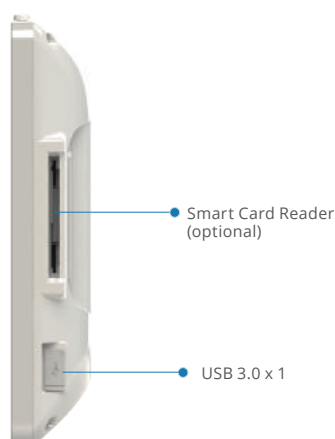
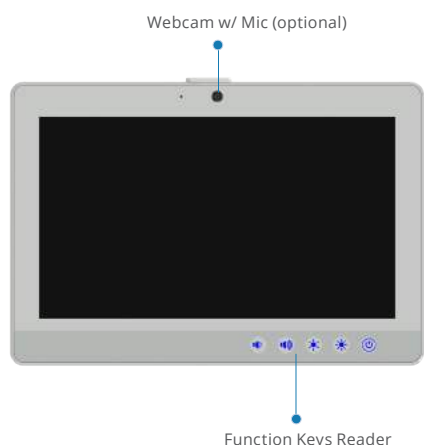
### Optional Accessories

- |  |  |
|--|--|
| <ul style="list-style-type: none"> <li>» 1757306039<br/>Medical Power Adapter, 60W, 12V</li> <li>» OPM-T008-A1<br/>Smart Card Reader Kit</li> <li>» OPM-S02C-A1<br/>Magnetic Stripe Reader Kit</li> <li>» OPM-T011-A1<br/>2M Pixels Camera with Mic Kit</li> <li>» OPM-T018-A5<br/>Handset Kit</li> <li>» OPM-S04R-A1<br/>Smart Card+ RFID Reader Kit</li> </ul> | <ul style="list-style-type: none"> <li>» OPM-T018-A6<br/>Handset w/Dual-Keypads, Camera</li> <li>» OPM-C16W-A5<br/>WLAN Kit, IEEE 802.11a/b/g/n + Bluetooth 4.0</li> <li>» OPM-P30D-A10<br/>Power over Ethernet Kit</li> </ul> |
|--|--|

## Fanless Slim Panel HIT Solution

# ONYX-1222

11.6" Fanless J1900 Quad Core Slim Medical Panel PC



## Features

- Intel® Celeron J1900 2.42GHz Quad Core Processor
- 11.6" 220-nit WXGA LCD
- Supports DDR3 SODIMM up to 8GB
- 5-wire Resistive Touch Screen / Capacitive Multi-Touch Screen
- Easy Cleaning Flat Screen
- 5 Programmable Smart Function Keys
- COM/LAN Medical Isolation
- High Speed USB 3.0 Port
- 2.0M Pixels Camera with Mic (optional)
- Handset Phone (optional)
- Trusted Platform Module / Smart Card Reader(optional) / MSR(optional) / RFID Reader (optional)
- +12V to +24V wide range DC input / Power over Ethernet(optional)

## Specifications

### Main Specifications

Processor	Intel® Celeron J1900 Quad Core 2.42GHz
System Memory	Supports DDR3 SODIMM up to 8GB
Expansion Interface	Mini Card x 1
Storage Disk Drive	2.5" SATA Hard Disk Drive/SSD x 1, mSATA SSD x 1
Security	Trusted Platform Module, Smart Card Reader (optional), MSR (optional), RFID Reader (optional)
Wireless Communication	802.11a/b/g/n(optional), Bluetooth 4.0 (optional)
Speaker	2W x 2
Function Key	Speaker Volume Up/Down, LCD Brightness Up/Down
Power Requirement	DC 12-24V / Power over Ethernet(optional)
OS Support	Windows 7, Window 8.1, Window 10, Linux

### Display

Size / Type	11.6" LCD
Max. Resolution	1366 x 768
Luminance(cd/m2)(TYP)	220 nits
Max. Colors	16.7 M
Viewing Angle	170°(H)/170°(V)
Contrast Ratio	800:1
Back Light Life Time	> 15,000 hours
Touch Screen	5-Wire Resistive / Capacitive Multi-Touch

### I/O

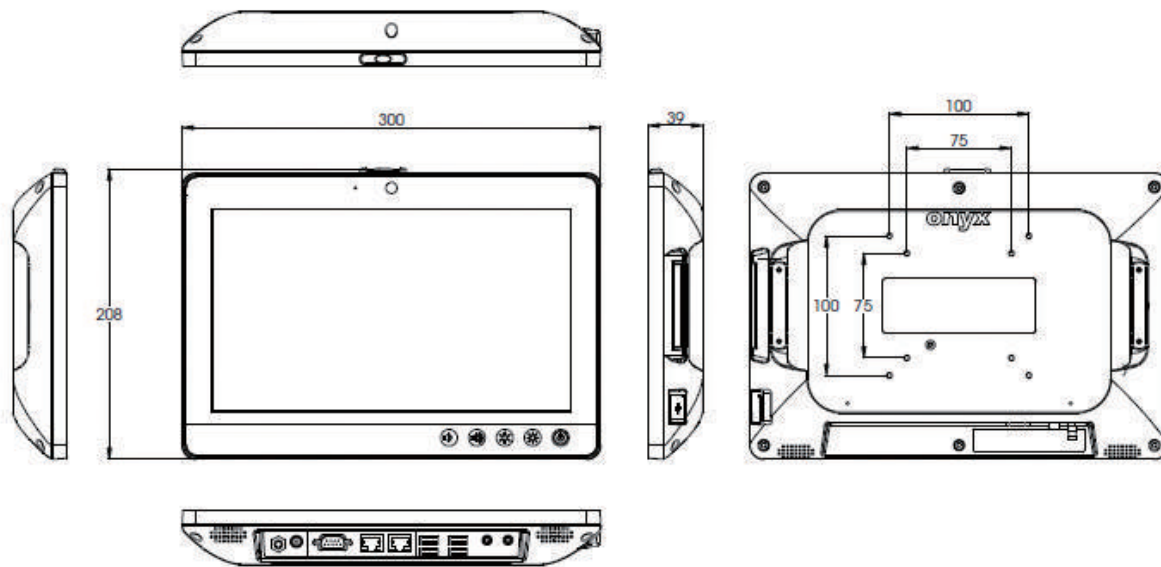
USB	USB 2.0 x 4, USB 3.0 x 1 (in side I/O)
Serial Port	Isolated RS-232 x 1
Ethernet	Isolated Gigabit LAN x 2
Audio	Mic-in, Line-out

### Mechanical and Environmental

Power Consumption	Full loading: 22 Watts
Operating Temperature	0°C ~ 40°C(32°F ~ 104°F)
Storage Temperature	-20°C ~ 60°C(-4°F ~ 140°F)
Mounting	VESA 75/100 mm
Degree of Protection	IP65 in the front, IPX1
Net Weight	1.5kg (3.3lb)
Gross Weight	4kg (8.82lb)
Package Dimension (W x D x H)	540 x 230 x 370 mm
Certifications	CE: EN 60601-1-2:2015(V4.0), EN 60601-1:2006/A1:2013(V3.1) FCC: Part 18 Class B UL: ANSI/AAMI ES60601-1:2012 (V3.1) cUL: CAN/CSA-C22.2 No. 60601-1:2014 (V3.1)

## 11.6" Fanless J1900 Quad Core Slim Medical Panel PC

### Dimension / Unit: mm



### Ordering Information

- » ONYX-1222ET-A1-1210  
Slim Medical Panel PC, 11.6" LCD, Intel Celeron J1900, 2GB RAM, DC 12~24V, Resistive Touch
- » ONYX-1222ST-A1-1210  
Slim Medical Panel PC, 11.6" LCD, Intel Celeron J1900, 2GB RAM, DC 12~24V, Capacitive Touch

### Optional Accessories

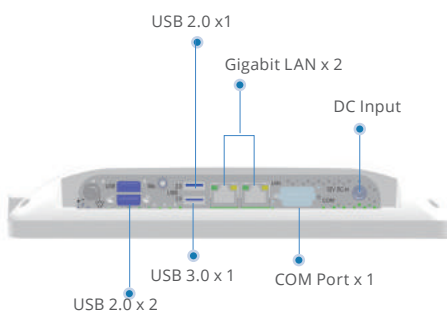
- » 1757306039  
Medical Power Adapter, 60W, 12V
- » OPM-T010-A1  
Smart Card Reader Kit
- » OPM-S02C-A2  
Magnetic Stripe Reader Kit
- » OPM-T011-A1  
2M Pixels Camera with Mic Kit
- » OPM-T018-A3  
Handset Kit
- » OPM-T018-A4  
Handset w/Dual-Keypads, Camera
- » OPM-C16W-A4  
WLAN Kit, IEEE 802.11a/b/g/n + Bluetooth 4.0LE/ 3.0HS / 2.1 EDR
- » OPM-P30D-A10  
Power over Ethernet kit



# Fanless Slim Panel HIT Solution

## ONYX-1022

10.1" Fanless J1900 Quad Core Slim Medical Panel PC



### Features

- Intel® Celeron J1900 2.42GHz Quad Core Processor
- 10.1" 1280x800 LCD
- Supports DDR3L SODIMM up to 8GB
- Capacitive Multi-Touch Screen/ 5-Wire Resistive Touch Screen
- Easy Cleaning Flat Screen
- Two Gigabit Ethernet
- One High Speed USB 3.0 Port
- Trusted Platform Module / Smart Card Reader(optional) / RFID Reader(optional)
- 2.0M Pixels Camera with Mic(optional)
- +12V DC input

### Specifications

#### Main Specifications

Processor	Intel® Celeron J1900 Quad Core 2.42GHz
System Memory	Supports DDR3L SODIMM up to 8GB
Expansion Interface	Mini Card x 1
Storage Disk Drive	Half Size mSATA SSD x 1
Security	Trusted Platform Module, Smart Card Reader(optional), RFID Reader(optional)
Wireless Communication	802.11ac/a/b/g/n(optional), Bluetooth 4.0(optional)
Speaker	2W x 2
Function Key	Speaker Volume Up/Down, LCD Brightness Up/Down
Power Requirement	DC 12V
OS Support	Windows 7, Windows 8.1, Windows 10, Linux

#### Display

Size / Type	10.1" LCD
Max. Resolution	1280 x 800
Luminance(cd/m2)(TYP)	300 nits
Viewing Angle	170°(H)/170°(V)
Contrast Ratio	1300:1
Back Light Life Time	25,000 hours
Touch Screen	Capacitive Multi-Touch/ 5-Wire Resistive Touch

#### I/O

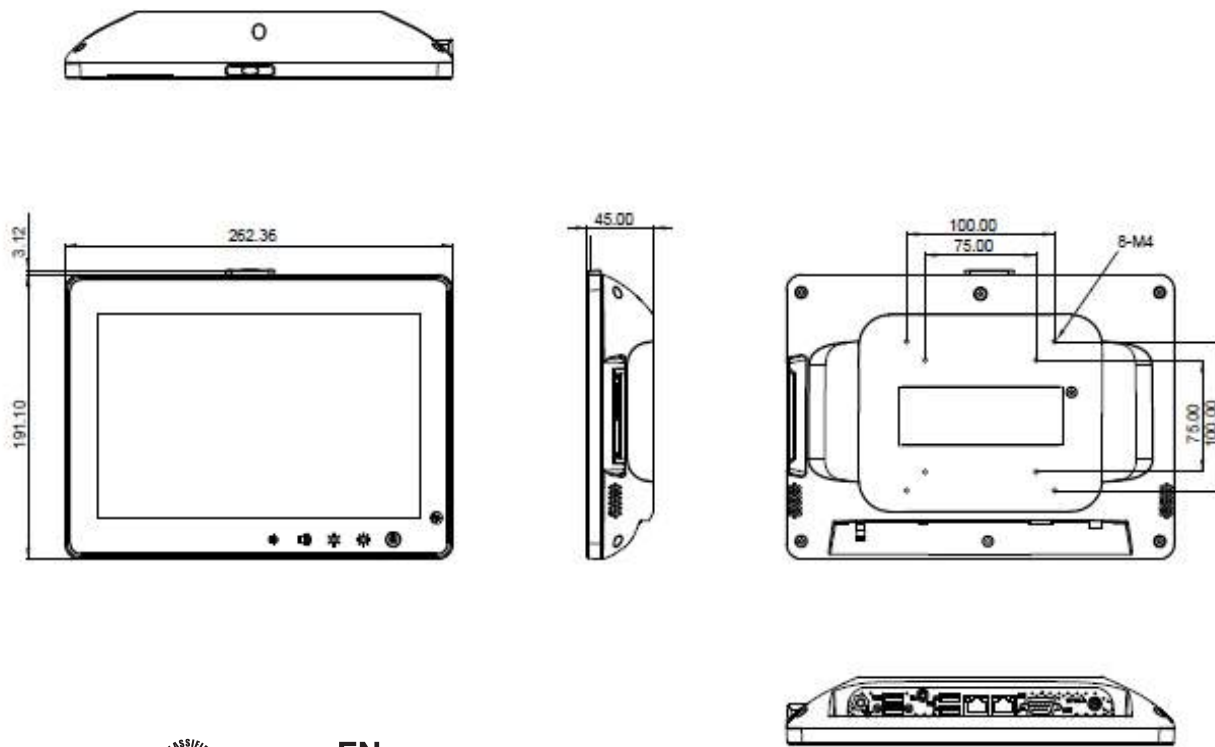
USB	USB 3.0 x 1, USB 2.0 x 3
Serial Port	RS-232 x 1
Ethernet	Gigabit LAN x 2

#### Mechanical and Environmental

Power Consumption	Full loading: 20 Watts
Operating Temperature	0°C ~ 40°C(32°F ~ 104°F)
Storage Temperature	-20°C ~ 60°C(-4°F ~ 140°F)
Mounting	VESA 75/100 mm
Degree of Protection	IP65 in the front, IPX1
Net Weight	1.2kg (2.6lb)
Gross Weight	3.7kg (8.2lb)
Package Dimension (W x D x H)	402 x 190 x 335 mm
Certifications	CE: EN 60601-1-2:2015(V4.0), EN 60601-1:2006/A1:2013(V3.1) FCC: Part 18 Class B UL: ANSI/AAMI ES60601-1:2012 (V3.1) cUL: CAN/CSA-C22.2 No. 60601-1:2014 (V3.1)

## 10.1" Fanless J1900 Quad Core Slim Medical Panel PC

### Dimension / Unit: mm



### Ordering Information

- » ONYX-1022ST-A1-1110  
Slim Medical Panel PC, 10.1" 1280x800 LCD, Intel Celeron J1900, 2GB RAM, DC 12V, Capacitive Touch
- » ONYX-1022ET-A1-1110  
Slim Medical Panel PC, 10.1" 1280x800 LCD, Intel Celeron J1900, 2GB RAM, DC 12V, Resistive Touch

### Optional Accessories

- » 1757306039  
Medical Power Adapter, 60W, 12V
- » OPM-C16W-A8  
WLAN Kit, IEEE 802.11a/b/g/n + Bluetooth 4.0
- » OPM-T010-A2  
Smart Card Reader Kit
- » OPM-T011-A2  
2M Pixels Camera with Mic Kit

# Panel PC Accessory Selection

## OPM-H02S

Desktop Stand



### Features

- » Apply to 10"~22" Slim Medical Panel PC, Medical Display.
- » Spinning around high and mighty; able to bear 5kg to 12kg.
- » Providing 2 mounting space in coordination with VESA standard: 75mm x 75mm and 100mm x100mm

### Ordering Information

- » TF-OPM-H02S-A0  
Desktop Stand, Black Color, VESA 75/100, 230mm Height
- » TF-OPM-H02S-A1  
Desktop Stand, Black Color, VESA 75/100, 280mm Height

## OPM-H01S

Desktop Stand



### Features

- » Apply to 15" ~ 24" Medical Station, Slim Medical Panel PC, Medical Display.
- » Spinning around high and mighty; able to bear 5 kg to 15kg.
- » Providing 2 mounting space in coordination with VESA standard:75mm x 75mm and 100mm x100mm
- » The angle of view was designed adjustable for clear vision.
- » Flexible angle create brand-new atmosphere of monitors.
- » Up-to-date choice in the multimedia era.
- » Show yourself and break the limit of environment.
- » Regulate as you want to make more space.

### Ordering Information

- » TF-OPM-H01S  
Desktop Stand, Black Color, VESA 75/100, 265mm to 330mm Height

## Panel PC Accessory Selection

### OPM-H10A Gas Spring Arm



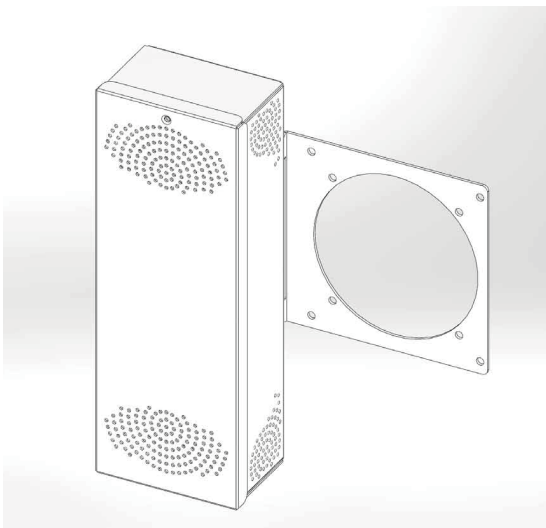
#### Features

- » Clamp type can fit all kind of mobile car.
- » Weight capacity : 2~8KG (4.4~17.6lb)
- » Clockwise / counterclockwise rotation

#### Ordering Information

- » OPM-H10A-00  
VESA 75/100 Clamp type spring arm (Silver)

### OPM-H12A VESA Mount Power Adapter Holder



#### Features

- » Design for 1255301202 & 1255301204 with 120W
- » Apply to 15" to 24" Medical Station, Slim Medical Panel PC
- » Providing 2 mounting spaces in coordination with VESA standard: 75mm x 75mm and 100mm x 100mm

#### Ordering Information

- » OPM-H12A-A1  
VESA mount power adapter holder

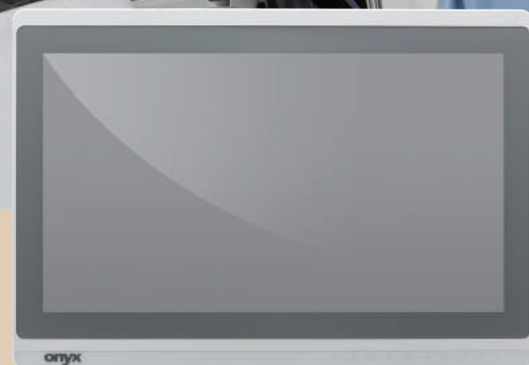
# Medical AIO Solution

Medical AIO is a highly cost effective solution. Intel Core i7 processor, up to 16GB DDR3 and capacitive multi-touch screen enhance the efficiency of hospital applications. Fanless design keeps environment quiet and reduces the effort in cleaning. With one PCI Express[x1] slot, any standard PCI Express[x1] card such as isolated RS-232 card and video capture card can be installed to enhance capability.



## Key Features:

- » » 19"/22"/24"LCD with resistive touch or capacitive multi-touch
- » » Trusted Platform Module , RFID Reader and Smart Card Reader for Security Enhancement
- » » +12V DC input
- » » Fanless Design for Quiet and Easy Maintenance
- » » Reading Light



## ✚ Intel® Core Platform for Critical Applications

Medical AIO offer ultra high performance Intel® LV Dual Core processor.



## ✚ Super 3.0 for USB, SATA and PCI-e

Still looking for a faster solution to upload or download medical records?! Zeus comes with latest high speed I/O design (USB3.0, SATA3.0, PCI-E3.0). Super 3.0 gives ten times data rate than before.



## ✚ Triple Isolation Protection to Patient

Medical isolation rating is 4kV rms (IEC 60601-1), which is crucial to protect patients, operators and medical equipment from harmful surges or spikes in the electrical signal. Medical AIO offers optional COM port, USB port isolation. We set the highest standard for patient and medical uses.



## ✚ Quiet, Clean & Easy to Maintain

Slim Medical Panel PCs utilize a large fanless heatsink on the back cover to efficiently dissipate heat generated from the processor and chipset. The Fanless cooling design keeps the environment quiet, clean and lowers maintenance efforts.



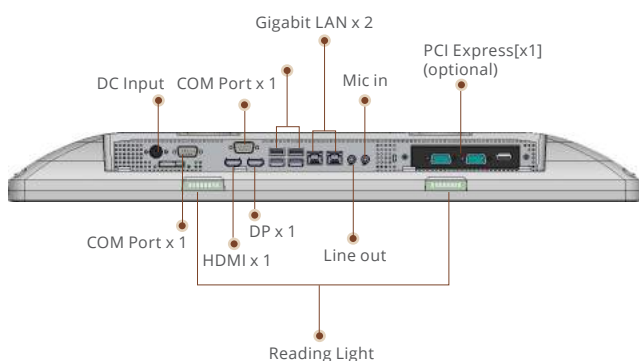
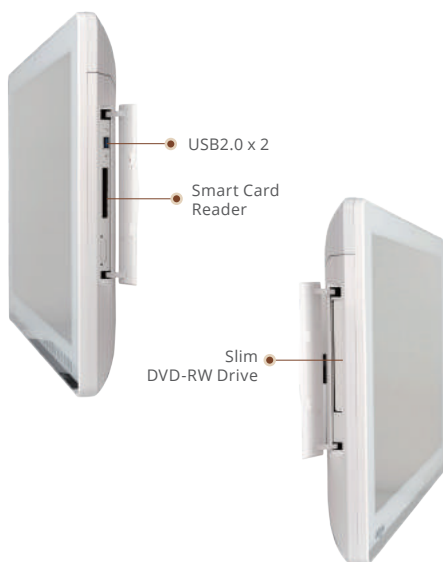
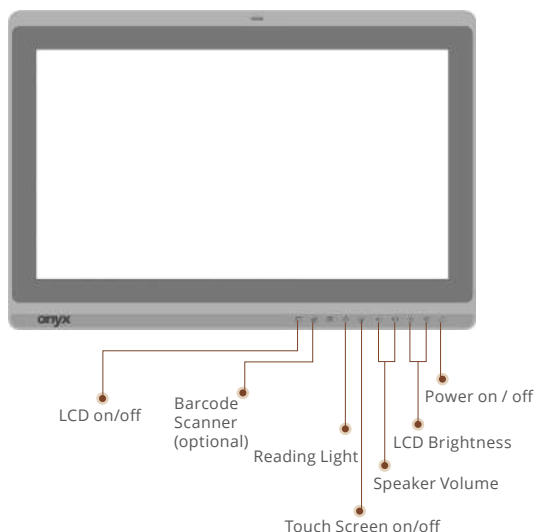
## ✚ Dual Antennas with Best WLAN performance

With two antennas built into the Slim Medical Panel PCs, massive medical records and PACS images can be transferred through IEEE 802.11b/g/n wireless LAN up to 150Mbps/sec.



# MATE-2403

24" Fanless Core i7 Medical AIO



## Features

- Intel® 6th Generation Core™ i7/ i5 / i3 Processor
- Intel® H110 Chipset
- Supports Dual Channel DDR4 2133 SODIMM up to 32GB
- 24" Full HD High Contrast MVA LCD
- 5-Wire Resistive Touch Screen / Capacitive Multi-Touch Screen
- Two Gigabit Ethernet
- High Speed USB 3.0 Ports
- RS-232 x 2
- PCI-Express x [1] x 1 (optional)
- +12V DC Input

## Specifications

### Main Specifications

Processor	Intel® 6th Generation Core i7 / i5 / i3 Processor
System Memory	Supports Dual Channel DDR4 2133 SODIMM up to 32GB
Chipset	Intel® H110
OS Support	Windows® 7, Windows® 8.1, Windows® 10, Linux®
Storage Disk Drive	2.5" SATA Hard Disk Drive/SSD x 1 Slim DVD-RW Drive x 1 (optional)
Security	Trusted Platform Module, RFID Reader (optional) Smart Card Reader x 1 (optional)
Wireless Communication	802.11 ac/a/b/g/n(optional), Bluetooth 3.0HS & 4.0 (optional)
Speaker	5W x 2
Function Key	Speaker Volume Up/Down, LCD Brightness Up/Down LCD On/Off, Touch Screen On/Off, Reading Light On/Off
Power Requirement	DC 12V

### Display

Size	24" LCD
Resolution	1920 x 1080
Luminance	250 nits
View Angle	178°(H)/178°(V)
Contrast Ratio	3000:1
Back Light Life Time	30,000 Hours
Touch Screen	5-Wire Resistive / Capacitive Multi-Touch

### I/O

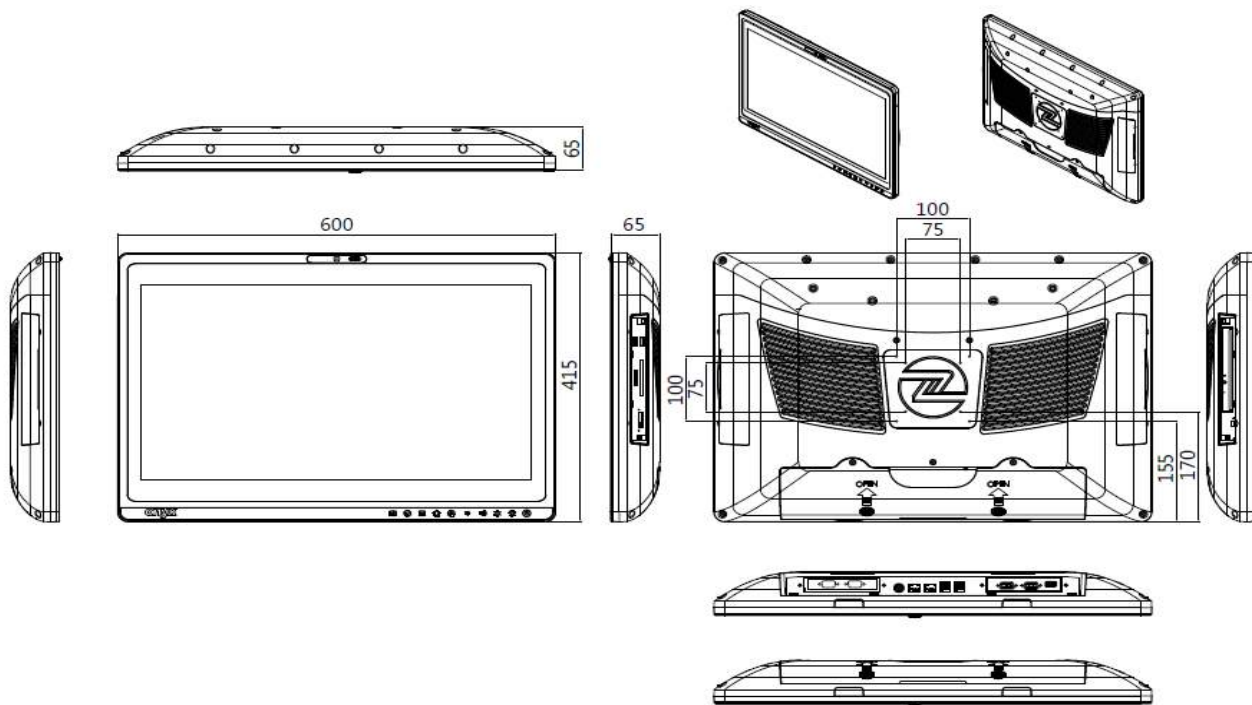
USB	USB 3.0 x 4, USB 2.0 x 2
Serial Port	RS-232 x 2
Ethernet	1.5KV Isolated Gigabit LAN x 2
Video Out	Display Port x1, HDMI x 1 (Supports resolution up to 3840 x 2160)
Audio	Mic-in, Line-out

### Mechanical and Environmental

Operating Temperature	0°C ~ 35°C(32°F ~ 95°F)
Storage Temperature	-20°C ~ 60°C(-4°F ~ 140°F)
Mounting VESA	75/100 mm
Degree of Protection	IP65 in the front; IP54 in the back
Net Weight	9.7kg (21.4lb)
Package Dimension (W x D x H)	790 x 220 x 550mm
Certifications	CE: EN 60601-1-2:2015(V4.0), EN 60601-1:2006/A1:2013(V3.1) FCC: Part 18 Class B UL: ANSI/AAMI ES60601-1:2012 (V3.1) cUL: CAN/CSA-C22.2 No. 60601-1:2014 (V3.1)

## 24" Fanless Core i7 Medical AIO

## Dimension / Unit: mm



## Ordering Information

- » MATE-2403ST-A1-1010  
Medical Panel PC, 24" LCD, i7, 4GB RAM, DC 12V, Capacitive Touch
- » MATE-2403ST-A2-1010  
Medical Panel PC, 24" LCD, i5, 4GB RAM, DC 12V, Capacitive Touch
- » MATE-2403ST-A3-1010  
Medical Panel PC, 24" LCD, i3, 4GB RAM, DC 12V, Capacitive Touch
- » MATE-2403ET-A1-1010  
Medical Panel PC, 24" LCD, i7, 4GB RAM, DC 12V, Resistive Touch
- » MATE-2403ET-A2-1010  
Medical Panel PC, 24" LCD, i5, 4GB RAM, DC 12V, Resistive Touch
- » MATE-2403ET-A3-1010  
Medical Panel PC, 24" LCD, i3, 4GB RAM, DC 12V, Resistive Touch

## Optional Accessories

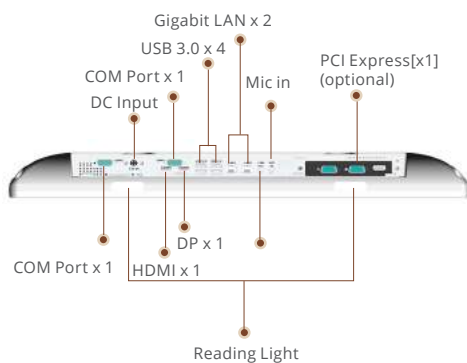
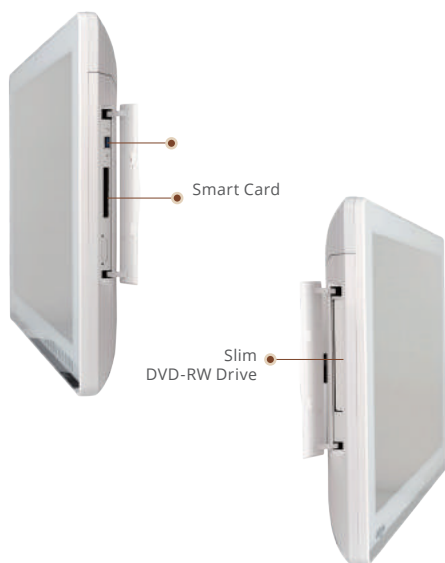
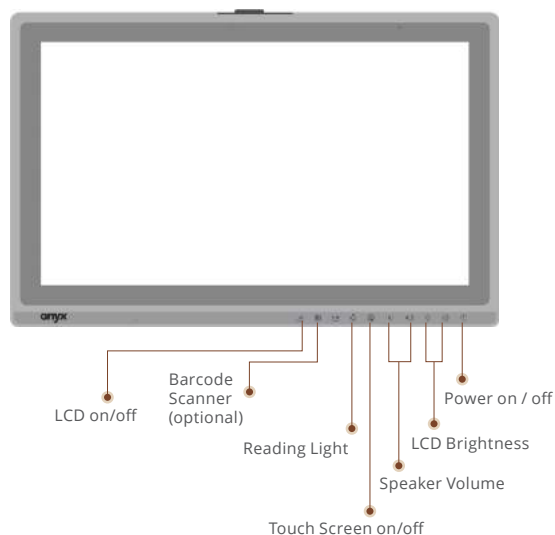
- » 1255301204  
Medical Power Adapter, 120W, 12V
- » OPM-T006-A2  
Smart Card Reader Kit
- » OPM-T013-A2  
Slim Slot-in DVD-RW Drive
- » OPM-C16W-A6  
WLAN Kit, IEEE 802.11a/b/g/n + Bluetooth 4.0
- » OPM-R03X-A1  
PCI Express[x1] Riser Kit
- » OPM-S06-A1  
RFID Reader Kit
- » OPM-C02C-A1  
Two Isolated RS-232 & One Isolated USB 2.0 PCIe Card
- » OPM-C02C-A2  
Two Isolated RS-232 PCIe Card
- » OPM-C03C-A1  
One Isolated Gigabit LAN & One Isolated RS-232 & One Isolated USB 2.0 PCIe Card
- » OPM-T017-A2  
Hot Swap Rack w/Lock Kit for 2.5" HDD/SSD



# Medical AIO Solution

## MATE-2203

22" Fanless Core i7 Medical AIO



### Features

- Intel® 6th Generation Core™ i7/ i5 / i3 Processor
- Intel® H110 Chipset
- Supports Dual Channel DDR4 2133 SODIMM up to 32GB
- 22" Full HD LCD with LED Backlight
- 5-Wire Resistive Touch Screen / Capacitive Multi-Touch Screen
- Two Gigabit Ethernet
- High Speed USB 3.0 Ports
- RS-232 x 2
- PCI-Express x [1] x 1 (optional)
- +12V DC Input

### Specifications

#### Main Specifications

Processor	Intel® 6th Generation Core i7 / i5 / i3 Processor
System Memory	Supports Dual Channel DDR4 2133 SODIMM up to 32GB
Chipset	Intel® H110
OS Support	Windows® 7, Windows® 8.1, Windows® 10, Linux®
Storage Disk Drive	2.5" SATA Hard Disk Drive/SSD x 1 Slim DVD-RW Drive x 1 (optional)
Security	Trusted Platform Module, RFID Reader (optional) Smart Card Reader x 1 (optional)
Wireless Communication	802.11ac/a/b/g/n(optional), Bluetooth 3.0HS & 4.0 (optional)
Speaker	5W x 2
Function Key	Speaker Volume Up/Down, LCD Brightness Up/Down LCD On/Off, Touch Screen On/Off, Reading Light On/Off
Power Requirement	DC 12V

#### Display

Size / Type	22" MVA LCD
Max. Resolution	1920 x 1080
Luminance(cd/m2)(TYP)	250 nits
Viewing Angle	178°(H)/178°(V)
Contrast Ratio	3000:1
Back Light Life Time	30,000 Hours
Touch Screen	5-Wire Resistive / Capacitive Multi-Touch

#### I/O

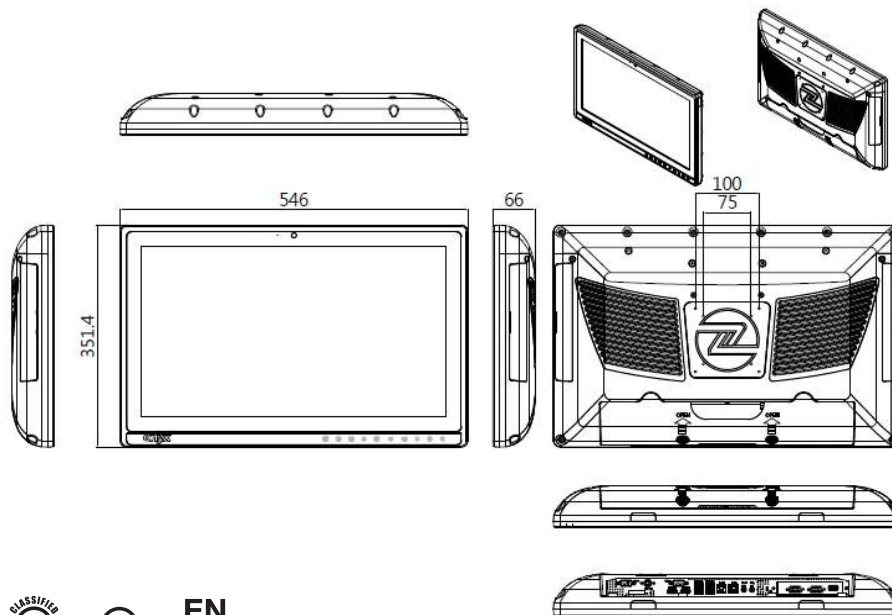
USB	USB 3.0 x 4, USB 2.0 x 2
Serial Port	RS-232 x 2
Ethernet	1.5KV Isolated Gigabit LAN x 2
Video Out	Display Port x1, HDMI x 1 (Supports resolution up to 3840 x 2160)
Audio	Mic-in, Line-out

#### Mechanical and Environmental

Operating Temperature	0°C ~ 35°C(32°F ~ 95°F)
Storage Temperature	-20°C ~ 60°C(-4°F ~ 140°F)
Mounting VESA	75/100 mm
Degree of Protection	IP65 in the front; IP54 in the back
Net Weight	8.5kg (18.7lb)
Package Dimension (W x D x H)	750 x 220 x 490mm
Certifications	CE: EN 60601-1-2:2015(V4.0), EN 60601-1:2006/A1:2013(V3.1) FCC: Part 18 Class B UL: ANSI/AAMI ES60601-1:2012 (V3.1) cUL: CAN/CSA-C22.2 No. 60601-1:2014 (V3.1)

## 22" Fanless Core i7 Medical AIO

## Dimension / Unit: mm



## Ordering Information

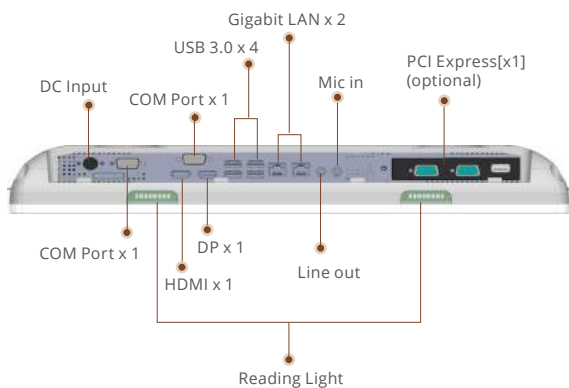
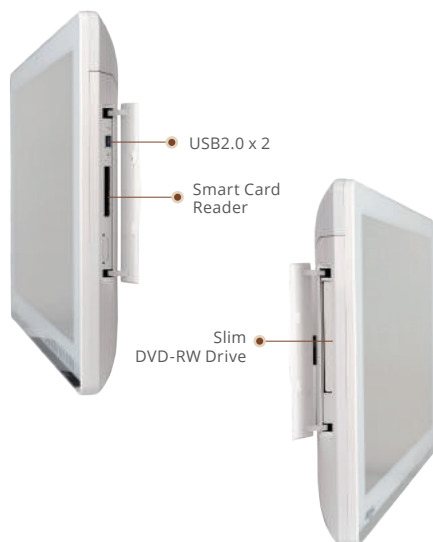
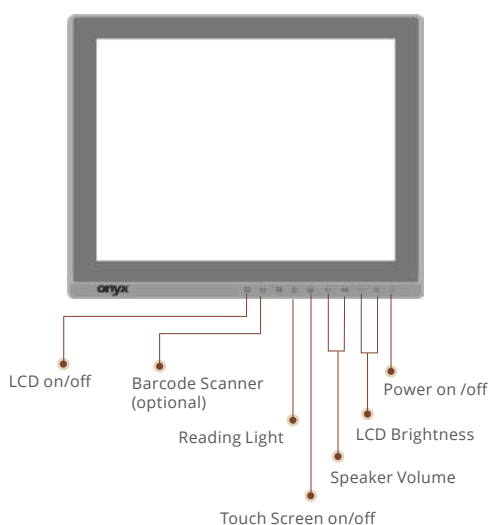
- » MATE-2203ST-A1-1010  
Medical Panel PC, 22" LCD, i7, 4GB RAM, DC 12V, Capacitive Touch
- » MATE-2203ST-A2-1010  
Medical Panel PC, 22" LCD, i5, 4GB RAM, DC 12V, Capacitive Touch
- » MATE-2203ST-A3-1010  
Medical Panel PC, 22" LCD, i3, 4GB RAM, DC 12V, Capacitive Touch
- » MATE-2203ET-A1-1010  
Medical Panel PC, 22" LCD, i7, 4GB RAM, DC 12V, Resistive Touch
- » MATE-2203ET-A2-1010  
Medical Panel PC, 22" LCD, i5, 4GB RAM, DC 12V, Resistive Touch
- » MATE-2203ET-A3-1010  
Medical Panel PC, 22" LCD, i3, 4GB RAM, DC 12V, Resistive Touch

## Optional Accessories

- » 1255301204  
Medical Power Adapter, 120W, 12V
- » OPM-T006-A2  
Smart Card Reader Kit
- » OPM-T013-A1  
Slim Slot-in DVD-RW Drive
- » OPM-C16W-A6  
WLAN Kit, IEEE 802.11a/b/g/n + Bluetooth 4.0
- » OPM-R03X-A1  
PCI Express[x1] Riser Kit
- » OPM-S06R-A2  
RFID Reader Kit
- » OPM-C02C-A1  
Two Isolated RS-232 & One Isolated USB 2.0 PCIe Card
- » OPM-C02C-A2  
Two Isolated RS-232 PCIe Card
- » OPM-C03C-A1  
One Isolated Gigabit LAN & One Isolated RS-232 & One Isolated USB 2.0 PCIe Card
- » OPM-T017-A2  
Hot Swap Rack w/Lock Kit for 2.5" HDD/SSD

# MATE-1903

19" Fanless Core i7 Medical AIO



## Features

- Intel® 6th Generation Core™ i7/ i5 / i3 Processor
- Intel® H110 Chipset
- Supports Dual Channel DDR4 2133 SODIMM up to 32GB
- 19" SXGA LCD with LED Backlight
- 5-Wire Resistive Touch Screen / Capacitive Multi-Touch Screen
- Two Gigabit Ethernet
- High Speed USB 3.0 Ports
- RS-232 x 2
- PCI-Express x [1] x 1 (optional)
- +12V DC Input

## Specifications

### Main Specifications

Processor	Intel® 6th Generation Core i7 / i5 / i3 Processor
System Memory	Supports Dual Channel DDR4 2133 SODIMM up to 32GB
Chipset	Intel® H110
OS Support	Windows® 7, Windows® 8.1, Windows® 10, Linux®
Storage Disk Drive	2.5" SATA Hard Disk Drive/SSD x 1 Slim DVD-RW Drive x 1 (optional)
Security	Trusted Platform Module, RFID Reader (optional) Smart Card Reader x 1 (optional)
Wireless Communication	802.11ac/a/b/g/n(optional), Bluetooth 3.0HS & 4.0 (optional)
Speaker	5W x 2
Function Key	Speaker Volume Up/Down, LCD Brightness Up/Down LCD On/Off, Touch Screen On/Off, Reading Light On/Off
Power Requirement	DC 12V

### Display

Size / Type	19" TN LCD
Max. Resolution	1280 x 1024
Luminance(cd/m2)(TYP)	250 nits
Viewing Angle	170°(H)/160°(V)
Contrast Ratio	1000:1
Back Light Life Time	30,000 Hours
Touch Screen	5-Wire Resistive / Capacitive Multi-Touch Screen

### I/O

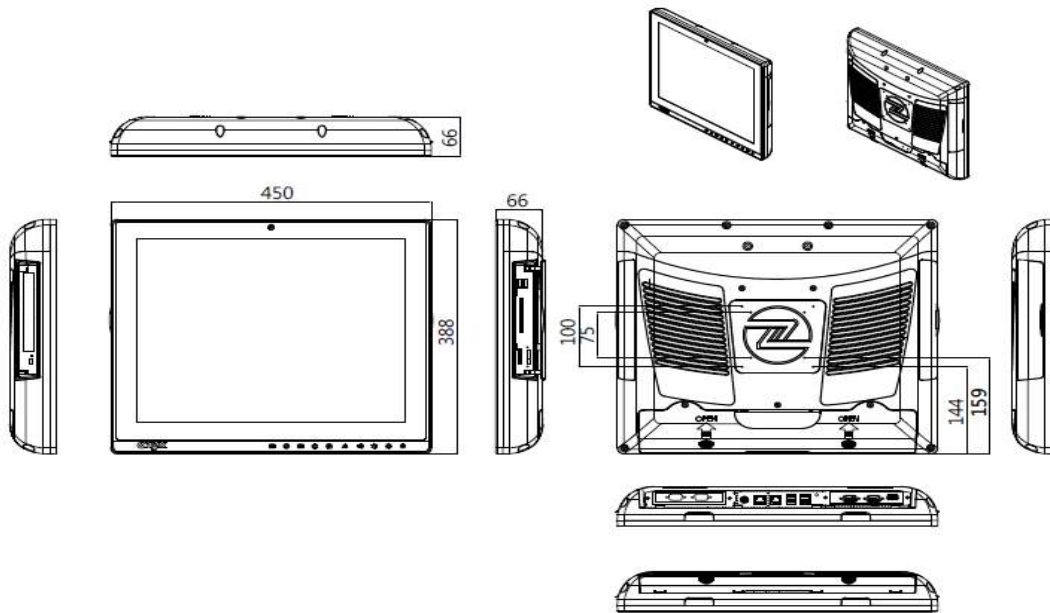
USB	USB 3.0 x 4, USB 2.0 x 2
Serial Port	RS-232 x 2
Ethernet	1.5KV Isolated Gigabit LAN x 2
Video Out	Display Port x1, HDMI x 1 (Supports resolution up to 3840 x 2160)
Audio	Mic-in, Line-out

### Mechanical and Environmental

Operating Temperature	0°C ~ 35°C(32°F ~ 95°F)
Storage Temperature	-20°C ~ 60°C(-4°F ~ 140°F)
Mounting VESA	75/100 mm
Degree of Protection	IP65 in the front; IP54 in the back
Net Weight	7.5kg (16.5lb)
Package Dimension (W x D x H)	640 x 220 x 520mm
Certifications	CE: EN 60601-1-2:2015(V4.0), EN 60601-1:2006/A1:2013(V3.1) FCC: Part 18 Class B UL: ANSI/AAMI ES60601-1:2012 (V3.1) cUL: CAN/CSA-C22.2 No. 60601-1:2014 (V3.1)

## 19" Fanless i7 Medical AIO

## Dimension / Unit: mm



## Ordering Information

- |   |  |
|---|--|
| » MATE-1903ST-A1-1010<br>Medical Panel PC, 19" LCD, i7, 4GB RAM, DC 12V, Capacitive Touch | » MATE-1903ET-A1-1010<br>Medical Panel PC, 19" LCD, i7, 4GB RAM, DC 12V, Resistive Touch |
| » MATE-1903ST-A2-1010<br>Medical Panel PC, 19" LCD, i5, 4GB RAM, DC 12V, Capacitive Touch | » MATE-1903ET-A2-1010<br>Medical Panel PC, 19" LCD, i5, 4GB RAM, DC 12V, Resistive Touch |
| » MATE-1903ST-A3-1010<br>Medical Panel PC, 19" LCD, i3, 4GB RAM, DC 12V, Capacitive Touch | » MATE-1903ET-A3-1010<br>Medical Panel PC, 19" LCD, i3, 4GB RAM, DC 12V, Resistive Touch |

## Optional Accessories

- |   |  |
|---|--|
| » 1255301204<br>Medical Power Adapter, 120W, 12V              | » OPM-C02C-A1<br>Two Isolated RS-232 & One Isolated USB 2.0 PCIe Card                            |
| » OPM-T006-A2<br>Smart Card Reader Kit                        | » OPM-C02C-A2<br>Two Isolated RS-232 PCIe Card   |
| » OPM-T013-A2<br>Slim Slot-in DVD-RW Drive                    | » OPM-C03C-A1<br>One Isolated Gigabit LAN & One Isolated RS-232 & One Isolated USB 2.0 PCIe Card |
| » OPM-C16W-A6<br>WLAN Kit, IEEE 802.11a/b/g/n + Bluetooth 4.0 | » OPM-T017-A2<br>Hot Swap Rack w/Lock Kit for 2.5" HDD/SSD                                       |
| » OPM-R03X-A1<br>PCI Express[x1] Riser Kit                    |  |
| » OPM-S07R-A1<br>RFID Reader Kit                              |  |

# Healthcare Infotainment Solution

Onyx is proud to introduce its medical infotainment solutions to reduce the workload of nurses and maximize patient's hospital experience during their stays. Onyx Infotainment series are offered in 10.1"/11.6"/15.6"/18.5" touch panel LCDs and are all low power high performance all-in-one terminals with high brightness, wide viewing angles, and anti-microbial design. From the high performance Intel processor to power saving ARM CPUs, Onyx Infotainment series allows customers to select from a wide variety of bedside solutions that best fits their need and budget.



## Key Features

- ›› HD video quality with HDMI input
- ›› 10.1" to 18.5" Wide Color TFT LCD w/ Multi Touch
- ›› USB interface to host computer
- ›› Light Weight from 1.5 to 3.2kg
- ›› Wire Remote Control w/ handset Function
- ›› Smart Card Reader / MSR / VOIP Phone, Web Camera, High Quality Speakers
- ›› Reading Light
- ›› Extension Features: RFID, Smart Card Reader, Barcode scanner
- ›› EN60601-1 / UL 60601-1

### Complete Range of Medical Solutions to Suit Your Needs

From display systems such as bedside monitors to medical grade boxPCs and all-in-one terminals, Onyx offers a comprehensive assortment of medical IT solutions to cover virtually any computing need in the healthcare community.



### Peripheral Support Features that Extend Your Efficiency

Increasing the efficiency of your healthcare facility is conveniently managed with the addition of intelligent peripheral devices Like smart card and magnetic swipe card readers, high resolution webcams, and 10-point multi-touch displays.



### Ergonomic and Cost-effective Design

The Bedside Infotainment Series offers solutions that are both lightweight and compact in size, making them easy to carry, install, and manage for medical staff. Units with an 18.5" display weigh only 3.5kg, while units with an 11.6" display weigh just 1.5kg. The competitively priced Bedside Infotainment Series makes it an ideal solution to fit a multitude of medical IT applications, while at the same time saving on your budget.



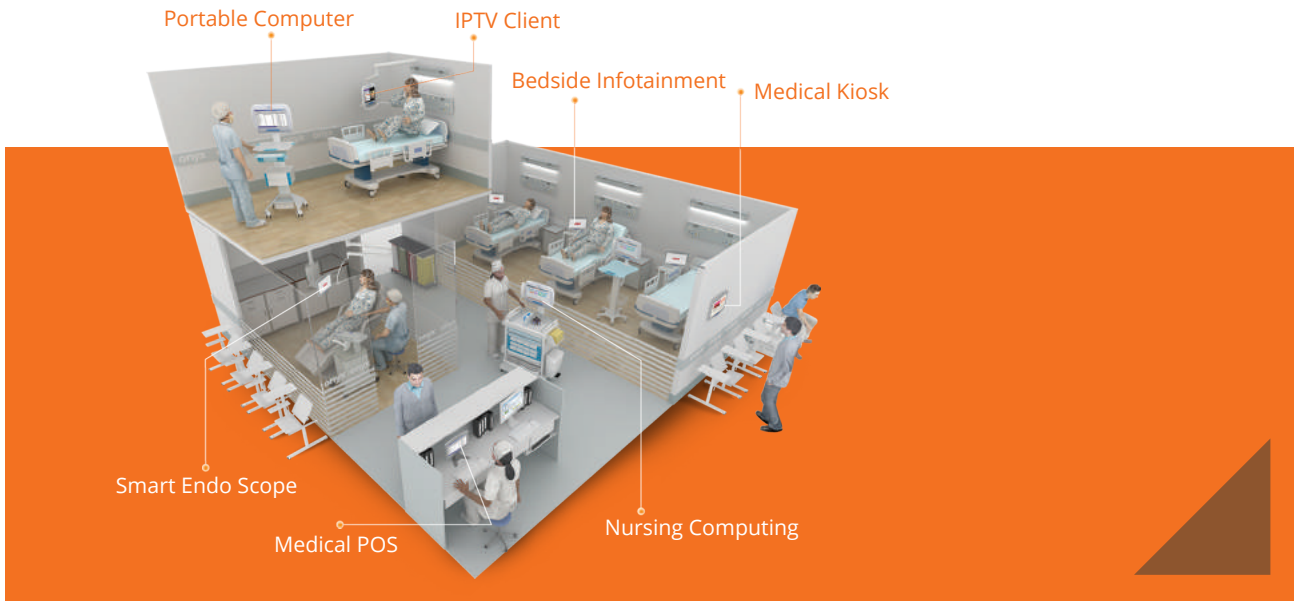
### Power over Ethernet (PoE)

The advantages of using PoE include providing a single cable for both data and power that eliminates the need for extra power cords; ease of installation as there is no need to coordinate data and power sources which can leave extra lengths of exposed cabling; and the ability to use existing infrastructure, minimizing interruptions to facilities and patients.



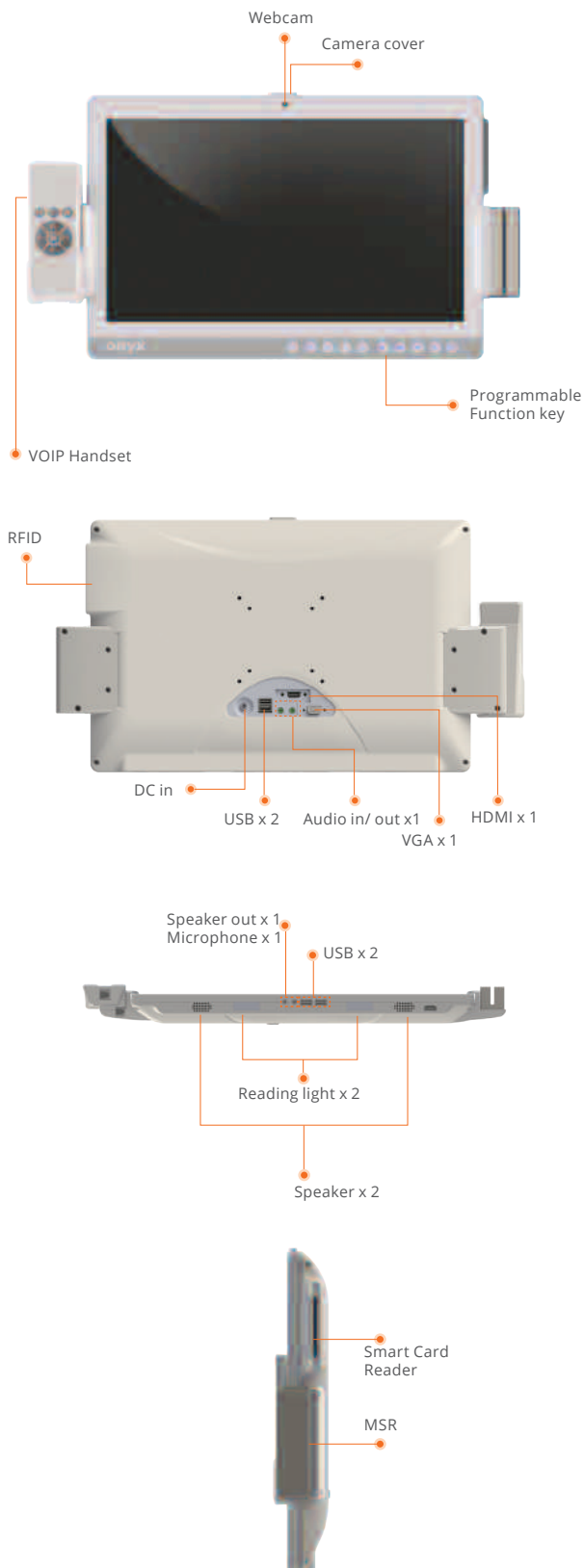
### Multifunctional Remote Control

Controlling the Bedside Infotainment system has been made as simple and convenient as possible with the multifunctional remote control. The controller includes a VOIP phone as well as all buttons necessary to control the unit. An optional 2D barcode scanner is also available.



# ONYX-BE381

18.5" Bedside Infotainment Touch Monitor



## Features

- HD video quality with HDMI input
- 18.5" Wide Color TFT LCD Touch Monitor Light Weight
- PCT Touch for supporting Multi-Touch
- USB interface to host computer
- Light Weight at 3.2kg
- Wire Remote Control w/ handset Function
- VOIP Phone, Web Camera, High Quality Speakers, MSR
- Smart Card Reader / MSR
- Reading Light
- Alarm LED controlled thru USB
- Extension Features: RFID, Smart Card Reader, Barcode scanner
- EN60601-1 / UL 60601-1

## Specifications

### Main Specifications

Size	18.5" (16:9) Color TFT LCD
Resolution	1366 x 768
Max. Colors	16.7M
Luminance	300 nits
View Angle	170(H)/160(U)
Contrast Ratio	1000:1
MTBF	30,000 Hours
Touch Screen	Projected Capacitive Touch / 5-Wire Resistive Touch

### I/O

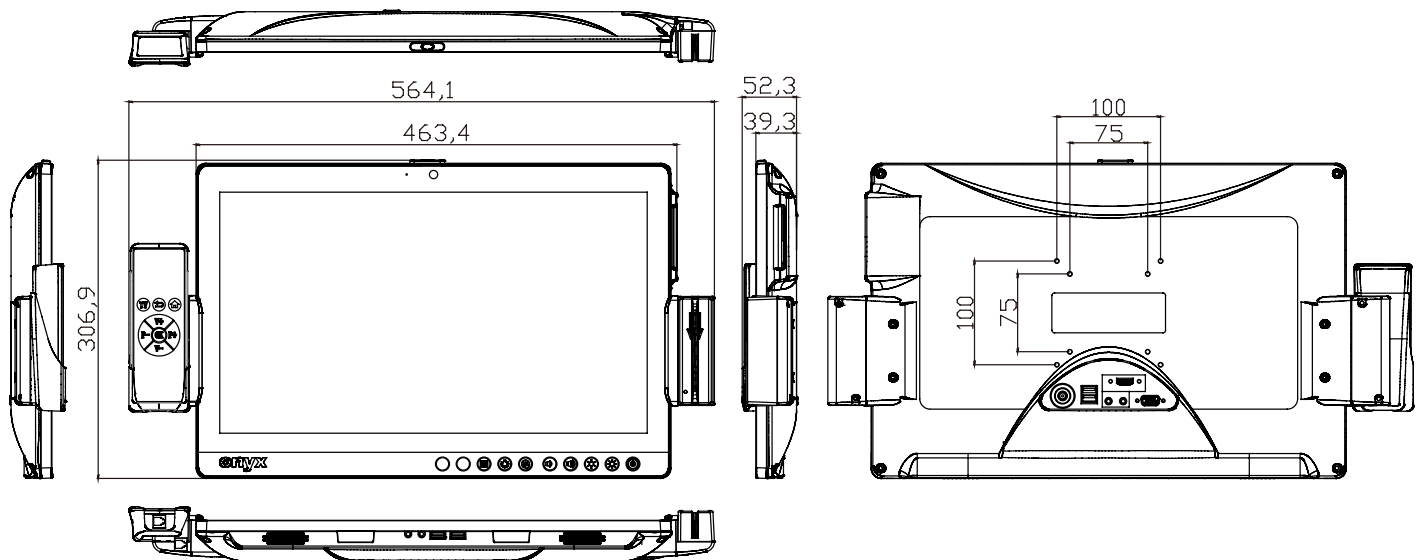
Front USB	2 x External USB2.0 on bottom I/O
Rear USB	2 x Rear USB2.0 for connecting Host computer
Video in	HDMI / VGA x 1
Front Audio	Speaker out x 1 and Microphone-in x1
Rear Audio	Audio-in x 1 and Microphone-in x1
Speaker	2 x 3W High Quality Speakers
Extension	1D / 2D Barcode Scanner VOIP Phone w/ wire remote control Web Camera MSR RFID Smart Card Reader

### Mechanical and Environmental

Power Consumption	Full Loading: 18Watts
Infection Control	Anti-Bacteria (optional)
Power Requirement	DC 12V ~24V
Operating Temperature	0°C ~ 40°C(32°F ~ 104°F)
Storage Temperature	-20°C ~ 60°C(-4°F ~ 140°F)
Mounting	VESA 75/100 mm
Degree of protection	Front Panel: IP65; Whole Unit: IPX1
Net Weight	3.2kg (7.05lb) (w/packing)
Gross weight	6.8kg (14.99lb) (w/packing)
Package Dimension (W x D x H)	721 x 224 x 464 mm
Certifications	CE: EN 60601-1-2:2015(V4.0), EN 60601-1:2006/A1:2013(V3.1) FCC: Part 18 Class B UL: ANSI/AAMI ES60601-1:2012 (V3.1) cUL: CAN/CSA-C22.2 No. 60601-1:2014 (V3.1)

## 18.5" Bedside Infotainment Touch Monitor

Dimension / Unit: mm



### Ordering Information

- » ONYX-BE381DT-A1-1010  
18.5" Infotainment Touch Monitor, HDMI Input, Resistive Touch, Reading Light, Web Camera, Smart Card Reader
- » ONYX-BE381DT-A2-1010  
18.5" Infotainment Touch Monitor, HDMI Input, PCT, Reading Light, Web Camera, Smart Card Reader
- » ONYX-BE381DT-F1-1010  
18.5" Infotainment Touch Monitor, HDMI Input, Reading Light, Resistive Touch, Web Camera, Smart Card Reader, RFID
- » ONYX-BE381DT-F2-1010  
18.5" Infotainment Touch Monitor, HDMI Input, PCT, Reading Light, Web Camera, Smart Card Reader, RFID

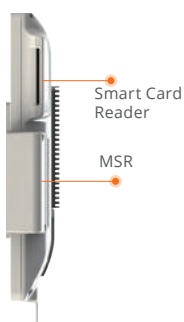
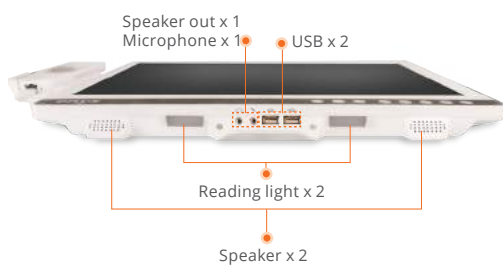
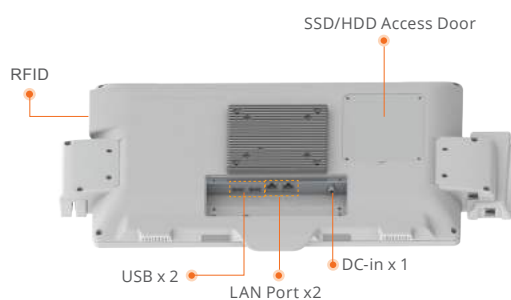
### Optional Accessories

- » 1255300657  
Medical Power Adapter, 60W, 24V
- » OPM-H04A  
ARM, Wall Mount, VESA 75/100, 1~7kg
- » OPM-T018-A1  
Handset w/o Dual Keypads, CAM & Nurse Call
- » OPM-T018-A2  
Handset with Dual Keypads, CAM. w/o Nurse Call
- » OPM-S02C-A1  
MSR for BE381
- » OPM-H13A-A1  
Bedside Wall Mount Long Arm, 1~6kg, VESA 75/100
- » OPM-H15A-A1  
Easi Ceiling Mount Swivel Arm, 1~6kg, VESA 75/100



# ONYX-BE182

18.5" Fanless Bedside Infotainment Touch Terminal



## Features

- Intel® J1900 2.42GHz Quad Core Processor
- 18.5" Wide Color TFT LCD Touch Terminal
- PCT for supporting Multi-Touch
- Wire Remote-Control w/ Handset Function
- VOIP Phone, Webcam, High Quality Speaker, MSR, Smart Card Reader
- Reading Light
- Extension Feature: RFID, Barcode Scanner
- IP65 Water Proof in front
- EN 60601-1, UL 60601-1

## Specifications

### Main Specifications

Processor	Intel® Celeron J1900 Quad Core 2.42GHz
System Memory	Supports DDR3 SODIMM up to 8GB
Expansion Interface	Mini Card x 2
Storage Disk Drive	2.5" SATA Hard Disk Drive/SSD x 1
Security	Trusted Platform Module, Smart Card Reader (optional), MSR (optional), RFID (optional)
Wireless communication	802.11b/g/n(optional), Bluetooth 4.0 (optional)
Speaker	3W x 2
Camera	2 Megapixels
Function Key	Speaker Volume Up/Down, LCD Brightness Up/Down
Power Requirement	DC 12~24V
OS Support	Windows 7, Windows 8.1, Windows 10, Linux

### Display

Size	18.5" (16:9) Color TFT LCD
Resolution	1366 x 768 HD / 1920 x 1080 FHD (optional)
Max. Colors	16.7M
Luminance	250 nits / 350 nits
View Angle	170(H)/160(U)
Contrast Ratio	1000:1
MTBF	30,000 Hours / 50,000 Hours
Touch Screen	Projected Capacitive Touch / 5-Wire Resistive Touch

### I/O

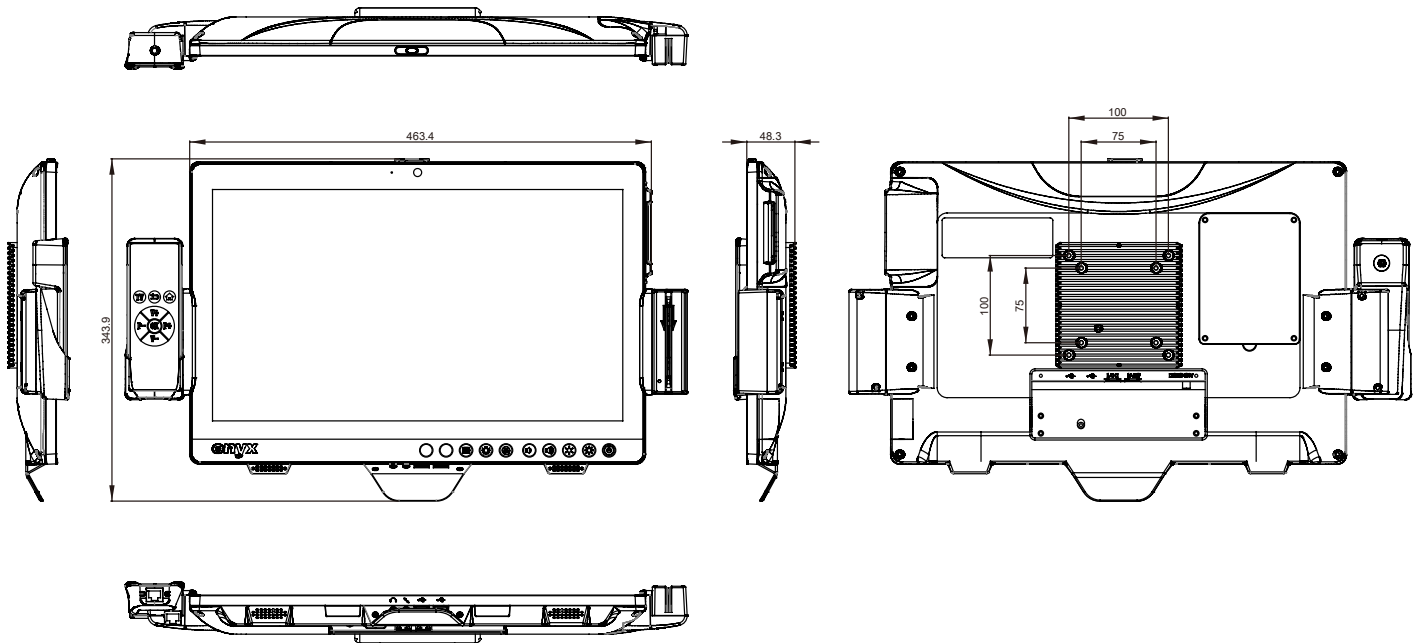
USB	USB2.0 x 4
Serial Port	Isolated RS-232 x 1 (optional)
Ethernet	Isolated Gigabit LAN x 2
Audio	Mic-in, Line-out

### Mechanical and Environmental

Infection Control	Anti-Bacteria (optional)
Power Requirement	DC 12V ~24V
Operating Temperature	0°C ~ 40°C(32°F ~ 104°F)
Storage Temperature	-20°C ~ 60°C(-4°F ~ 140°F)
Mounting	VESA 75/100 mm
Degree of protection	Front Panel: IP65; Whole Unit: IPX1
Net Weight	4.2 kg
Gross weight	9kg
Package Dimension (W x D x H)	721 x 224 x 464 mm
Certifications	CE: EN 60601-1-2:2015(V4.0), EN 60601-1:2006/A1:2013(V3.1) FCC: Part 18 Class B UL: ANSI/AAMI ES60601-1:2012 (V3.1) cUL: CAN/CSA-C22.2 No. 60601-1:2014 (V3.1)

## 18.5" Fanless Bedside Infotainment Touch Terminal

Dimension / Unit: mm



### Ordering Information

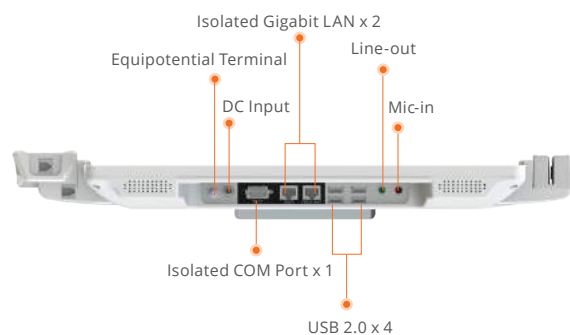
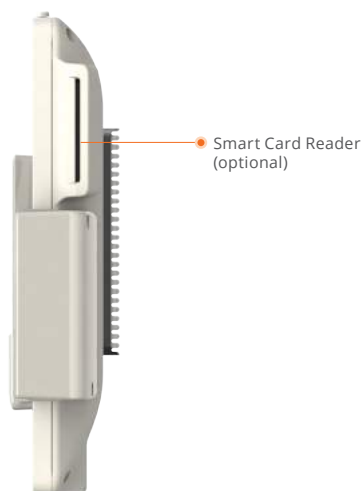
- » ONYX-BE182DT-A1-1010  
18.5" Infotainment Terminal. Intel Quad-Core J1900. 2G RAM. Fanless. Resistive Touch. Reading Light. Webcam. Smart Card Reader
- » ONYX-BE182DT-A2-1010  
18.5" Infotainment Terminal. Intel Quad-Core J1900. 2G RAM. Fanless. PCT Touch. Reading Light. Webcam. Smart Card Reader
- » ONYX-BE182DT-F1-1010  
18.5" Infotainment Terminal. Intel Quad-Core J1900. 2G RAM. Fanless. Resistive Touch. Reading Light. Webcam. Smart Card Reader. RFID
- » ONYX-BE182DT-F2-1010  
18.5" Infotainment Terminal. Intel Quad-Core J1900. 2G RAM. Fanless. PCT Touch. Reading Light. Webcam. Smart Card Reader. RFID

### Optional Accessories

- » 1255300657  
Medical Power Adapter, 60W, 24V
- » OPM-H04A  
ARM, Wall Mount, VESA 75/100, 1~7kg
- » OPM-T018-A1  
Handset w/o Dual Keypads, CAM & Nurse Call
- » OPM-T018-A2  
Handset with Dual Keypads, CAM. w/o Nurse Call
- » OPM-C16W-A5  
WLAN kit. 802.11 a/b/g/n + Bluetooth 4.0LE/ 3.0HS/ 2.1EDR for BE182
- » OPM-S02C-A1  
MSR for BE381
- » OPM-H13A-A1  
Bedside Wall Mount Long Arm, 1~6kg, VESA 75/100
- » OPM-H15A-A1  
Easi Ceiling Mount Swivel Arm, 1~6kg, VESA 75/100

# ONYX-1531

15.6" Fanless Bedside Infotainment Touch Terminal



## Features

- Intel® Celeron J1900 2.42GHz Quad Core Processor
- 15.6" High Brightness 300-nit Full HD LCD
- Supports DDR3L SODIMM up to 8GB
- 5-wire Resistive Touch Screen / Capacitive Multi-Touch Screen
- Easy Cleaning Flat Screen
- 7 Programmable Smart Function Keys
- COM/LAN Medical Isolation
- 2.0M Pixels Camera (optional)
- Handset w/2D Barcode Scanner (optional)
- Trusted Platform Module / Smart Card Reader(optional) / MSR(optional) / RFID (optional)
- +12V to +24V wide range DC input

## Specifications

### Main Specifications

Processor	Full loading: 19 Watts
System Memory	Supports DDR3L SODIMM up to 8GB
Expansion Interface	Mini Card x 1
Storage Disk Drive	2.5" SATA Hard Disk Drive/SSD x 1, mSATA SSD x 1
Security	Trusted Platform Module, Smart Card Reader (optional), MSR (optional), RFID (optional)
Wireless Communication	802.11a/b/g/n(optional), Bluetooth 4.0 (optional)
Speaker	3W x 2
Function Key	Speaker Volume Up/Down, LCD Brightness Up/Down
Power Requirement	DC 12-24V
OS Support	Windows 7, Windows 8.1, Windows10, Linux

### Display

Size / Type	15.6" LCD
Max. Resolution	1920 x 1080
Luminance(cd/m2)(TYP)	300 nits
Max. Colors	16.7 M
Viewing Angle	160°(H)/140°(V)
Contrast Ratio	700:1
Back Light Life Time	> 15,000 hours
Touch Screen	5-Wire Resistive / Capacitive Multi-Touch

### I/O

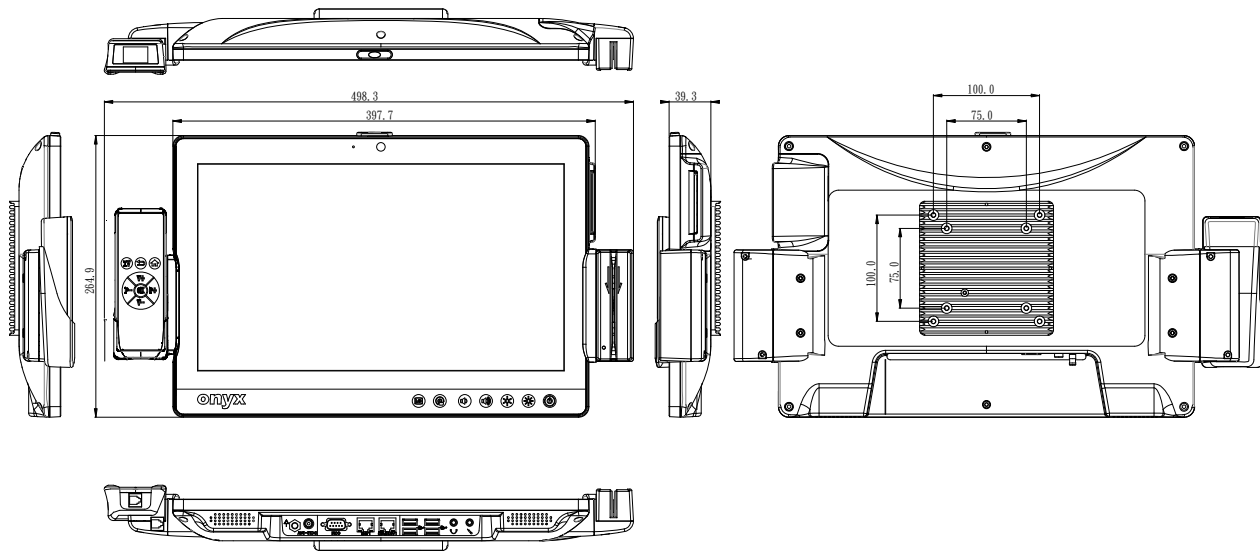
USB	USB 2.0 x 4
Serial Port	Isolated RS-232 x 1
Ethernet	Isolated Gigabit LAN x 2
Audio	Mic-in, Line-out

### Mechanical and Environmental

Power Consumption	Full loading: 19 Watts
Operating Temperature	0°C ~ 40°C(32°F ~ 104°F)
Storage Temperature	-20°C ~ 60°C(-4°F ~ 140°F)
Mounting	VESA 75/100 mm
Degree of Protection	IP65 in the front, IPX1
Net Weight	2.8 kg (6.17lb)
Gross Weight	6.5 kg (14.33lb)
Package Dimension (W x D x H)	721 x 224 x 464 mm
Certifications	CE: EN 60601-1-2:2015(V4.0), EN 60601-1:2006/A1:2013(V3.1) FCC: Part 18 Class B UL: ANSI/AAMI ES60601-1:2012 (V3.1) cUL: CAN/CSA-C22.2 No. 60601-1:2014 (V3.1)

## 15.6" Fanless Bedside Infotainment Touch Terminal

Dimension / Unit: mm



### Ordering Information

- » ONYX-1531ET-A1-1010  
Slim Medical Panel PC, 15.6" LCD, Intel Celeron J1900, 2GB RAM, DC 12-24V, Resistive Touch
- » ONYX-1531ST-A1-1010  
Slim Medical Panel PC, 15.6" LCD, Intel Celeron J1900, 2GB RAM, DC 12-24V, Capacitive Touch

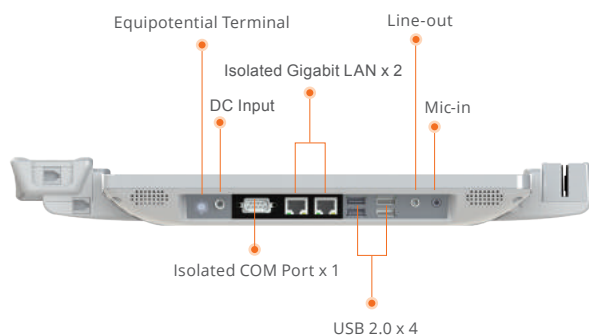
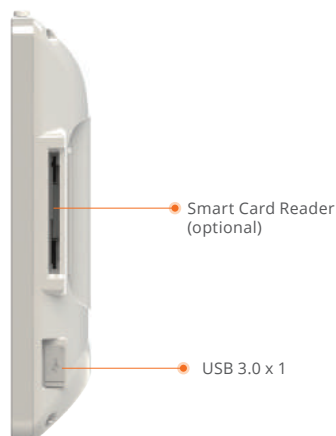
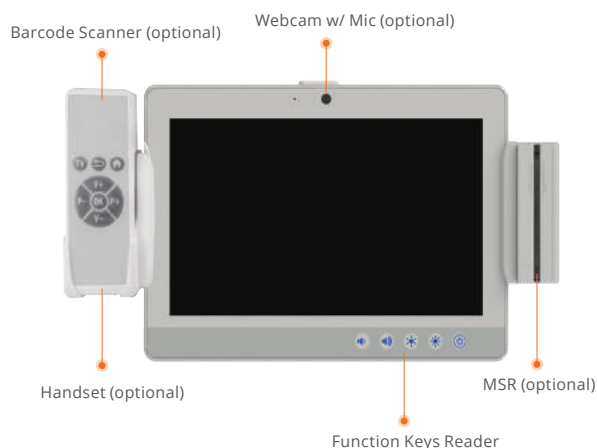
### Optional Accessories

- » 1757306039  
Medical Power Adapter, 60W, 12V
- » OPM-T008-A1  
Smart Card Reader Kit
- » OPM-S02C-A1  
Magnetic Stripe Reader Kit
- » OPM-T011-A1  
2M Pixels Camera with Mic Kit
- » OPM-T018-A5  
Handset Kit
- » OPM-S04R-A1  
Smart Card + RFID Reader Kit
- » OPM-T018-A6  
Handset w/Dual-Key pads, Camera
- » OPM-C16W-A5  
WLAN Kit, IEEE 802.11a/b/g/n + Bluetooth 4.0
- » OPM-P30D-A10  
Power over Ethernet kit

# Healthcare Infotainment Solution

## ONYX-1222

11.6" Fanless Bedside Infotainment Touch Terminal



### Features

- Intel® Celeron J1900 2.42GHz Quad Core Processor
- 11.6" High Brightness 400-nit WXGA LCD
- Supports DDR3 SODIMM up to 8GB
- 5-wire Resistive Touch Screen / Capacitive Multi-Touch Screen
- Easy Cleaning Flat Screen
- 5 Programmable Smart Function Keys
- COM/LAN Medical Isolation
- High Speed USB 3.0 Port
- 2.0M Pixels Camera (optional)
- Handset w/2D Barcode Scanner (optional)
- Trusted Platform Module / Smart Card Reader(optional) / MSR(optional) / RFID (optional)

### Specifications

#### Main Specifications

Processor	Intel® Celeron J1900 Quad Core 2.42GHz
System Memory	Supports DDR3 SODIMM up to 8GB
Expansion Interface	Mini Card x 2
Storage Disk Drive	2.5" SATA Hard Disk Drive/SSD x 1
Security	Trusted Platform Module, Smart Card Reader (optional), MSR (optional), RFID (optional)
Wireless Communication	802.11a/b/g/n(optional), Bluetooth 4.0 (optional)
Speaker	1W x 2
Function Key	Speaker Volume Up/Down, LCD Brightness Up/Down
Power Requirement	DC 12~24V / Power over Ethernet
OS Support	Windows 7, Windows 8.1, Windows 10, Linux

#### Display

Size / Type	11.6" LCD
Max. Resolution	1366 x 768
Luminance(cd/m2)(TYP)	220 nits
Max. Colors	16.7 M
Viewing Angle	170°(H)/170°(V)
Contrast Ratio	800:1
Back Light Life Time	> 15,000 hours
Touch Screen	5-Wire Resistive / Capacitive Multi-Touch

#### I/O

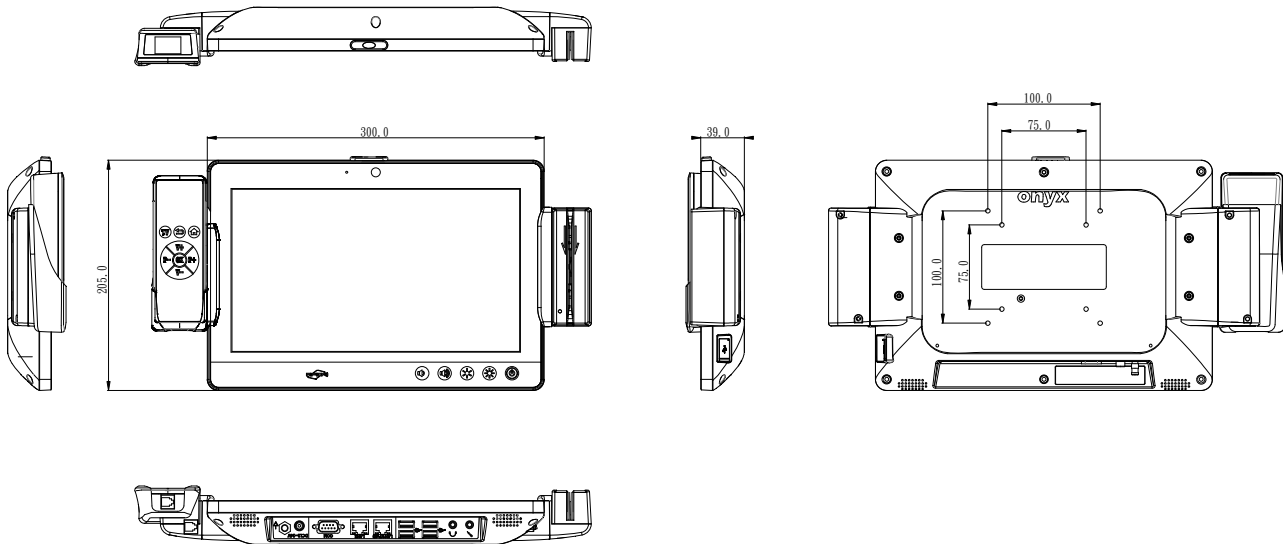
USB	USB 2.0 x 4, USB 3.0 x 1 (in side I/O)
Serial Port	Isolated RS-232 x 1
Ethernet	Isolated Gigabit LAN x 2
Audio	Mic-in, Line-out

#### Mechanical and Environmental

Power Consumption	Full Loading :22Watts
Operating Temperature	0°C ~ 40°C(32°F ~ 104°F)
Storage Temperature	-20°C ~ 60°C(-4°F ~ 140°F)
Mounting	VESA 75/100 mm
Degree of Protection	IP65 in the front, IPX1
Net Weight	1.5kg (3.3lb)
Gross Weight	4kg (8.82lb)
Package Dimensions (W x D x H)	540 x 230 x 370 mm
Certifications	CE: EN 60601-1-2:2015(V4.0), EN 60601-1:2006/A1:2013(V3.1) FCC: Part 18 Class B UL: ANSI/AAMI ES60601-1:2012 (V3.1) cUL: CAN/CSA-C22.2 No. 60601-1:2014 (V3.1)

## 11.6" Fanless Bedside Infotainment Touch Terminal

Dimension / Unit: mm



### Ordering Information

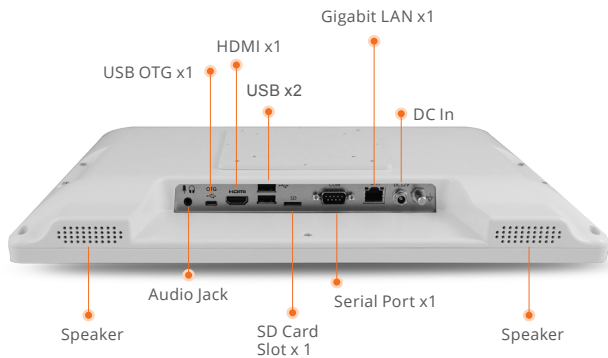
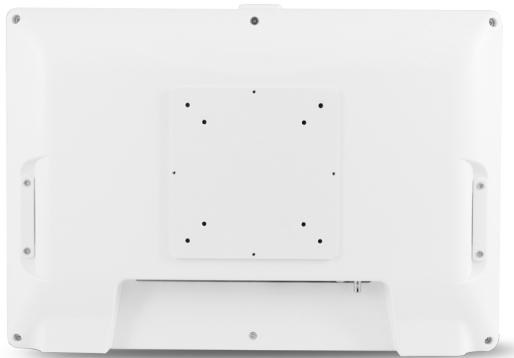
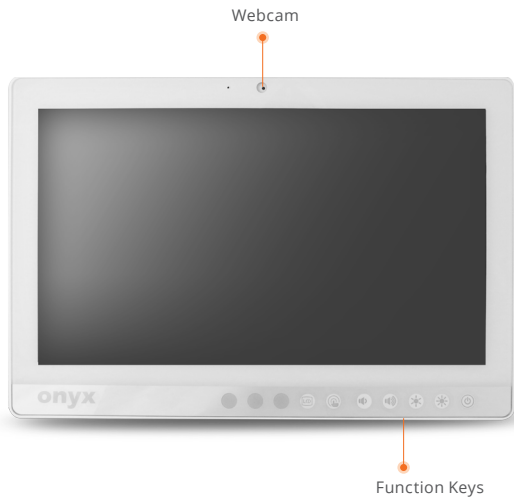
- » ONYX-1222ET-A1-1110  
Slim Medical Panel PC, 11.6" LCD, Intel Celeron J1900, 2GB RAM, DC 12~24V, Resistive Touch
- » ONYX-1222ST-A1-1110  
Slim Medical Panel PC, 11.6" LCD, Intel Celeron J1900, 2GB RAM, DC 12~24V, Capacitive Touch

### Optional Accessories

- » 1757306039  
Medical Power Adapter, 60W, 12V
- » OPM-T010-A1  
Smart Card Reader Kit
- » OPM-S02C-A2  
Magnetic Stripe Reader Kit
- » OPM-T011-A1  
2M Pixels Camera with Mic Kit
- » OPM-T018-A3  
Handset Kit
- » OPM-T018-A4  
Handset w/Dual-Keypads, Camera
- » OPM-C16W-A4  
WLAN Kit, IEEE 802.11a/b/g/n + Bluetooth 4.0LE/ 3.0HS / 2.1 EDR
- » OPM-P30D-A10  
Power over Ethernet kit

# ONYX-BE153R

15.6" Fanless Android Bedside Infotainment Touch Terminal



## Features

- Rockchip RK3288 Processor
- Android 6.0
- 15.6" Wide Color TFT LCD Touch Terminal
- PCT with Multi-Touch support
- Intuitive Front Access Function Keys
- IP65 Waterproof in front
- Optional VOIP Phone, Webcam and RFID.
- EN 60601-1, UL 60601-1

## Specifications

### Main Specifications

Processor	Rockchip RK3288 ARM Cortex-A17 QC 1.6GHz
System Memory	DDR3L 2GB
Expansion Interface	Mini PCIe Slot x 1
Storage Disk Drive	16GB eMMC
Wireless Communication	802.11 ac + BT 4.1
Camera	5 Megapixels
Speaker	2W x2
Security	13.56MHz RFID Reader (Optional)
Function Key	Power, Volume Up/Down, Brightness Up/Down, LCD On/Off, Touch On/Off
Power Requirement	DC 12V / Power Over Ethernet
OS Support	Android 6.0

### Display

Size / Type	15.6" (16:9) Color TFT LCD
Max. Resolution	1920 x 1080 FHD
Luminance(cd/m2)(TYP)	220 nits
Max. Colors	16.7 M
Viewing Angle	90 (H)/60(V)
Contrast Ratio	500:1
Touch Screen	Projected Capacitive Touch

### I/O

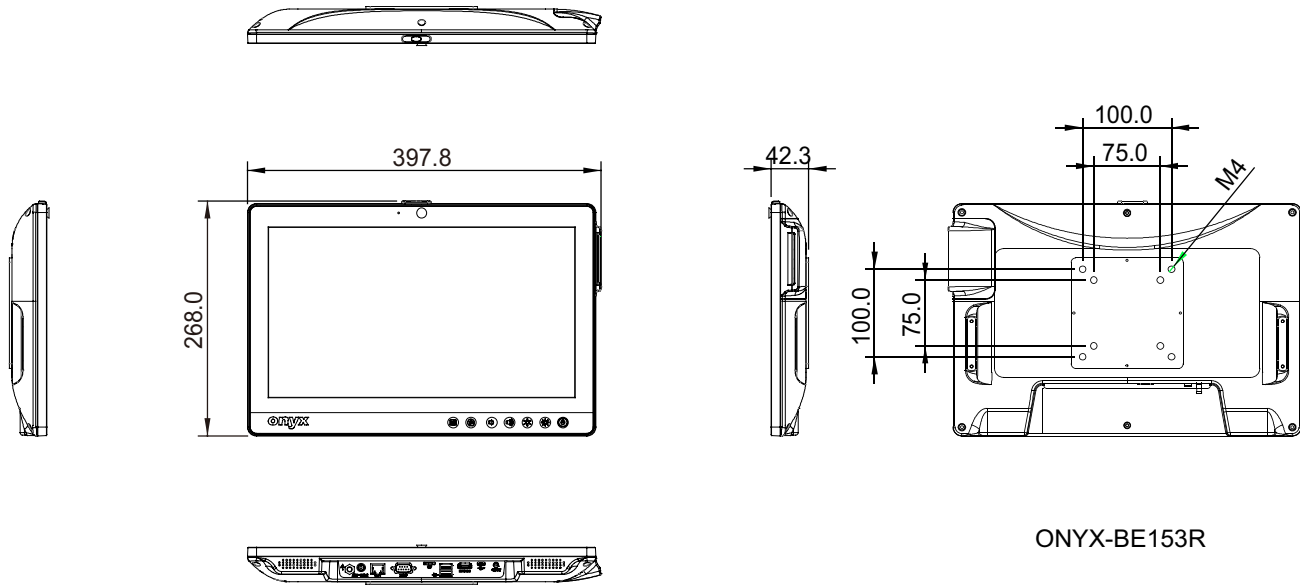
USB	USB 2.0 (Type-A) x2 , Micro USB (OTG) x1 (Optional)
Serial Port	RS-232 x1 (Optional)
Ethernet	Gigabit LAN x1 (Support Power over Ethernet)
Audio	3.5mm Phone Jack x1
Video	HDMI Out x1 (Optional)
SD Card Slot	Micro SD x1 (Optional)
DC-In	DC-In Jack x1

### Mechanical and Environmental

Infection Control	Anti-Bacteria (Optional)
Operating Temperature	0°C ~ 40°C(32°F ~ 104°F)
Storage Temperature	-20°C ~ 60°C(-4°F ~ 140°F)
Mounting	VESA 75/100 mm
Degree of Protection	Front Panel: IP65, Whole Unit: IP54
Net Weight	2.8 kg (6.17lb)
Gross Weight	6.5 kg (14.33lb)
Package Dimensions (W x D x H)	721 x 224 x 464 mm
Certifications	CE: EN 60601-1-2:2015(V4.0), EN 60601-1:2006/A1:2013(V3.1) FCC: Part 18 Class B UL: ANSI/AAMI ES60601-1:2012 (V3.1) cUL: CAN/CSA-C22.2 No. 60601-1:2014 (V3.1)

## 15.6" Fanless Android Bedside Infotainment Touch Terminal

Dimension / Unit: mm



### Ordering Information

- » ONYX-BE153R-P01-A1-0201  
RISC Beside Terminal.RK3288.15.6".PCT.2GB RAM.16GB eMMC.Camera.POE.Android 6.x

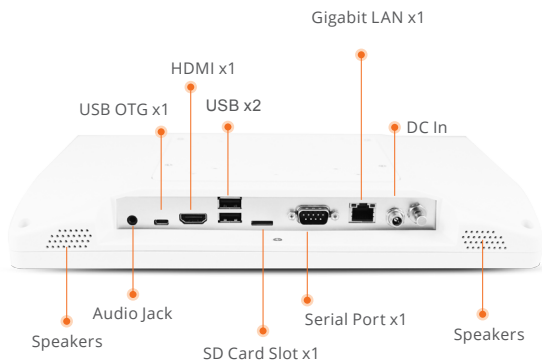
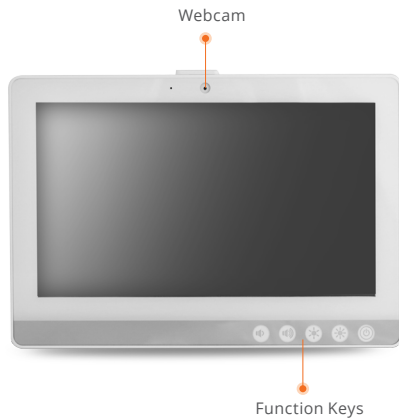
### Optional Accessories

- » 1757306039  
Medical Adapter.60W.12V/5A
- » OPM-T018-A1  
VoIP Handset w/o keypads



# ONYX-BE122R

11.6" Fanless Android Bedside Infotainment Touch Terminal



## Features

- Rockchip RK3288 Processor
- Android 6.0
- 11.6" Wide Color TFT LCD Touch Terminal
- PCT with Multi-Touch support
- Intuitive Front Access Function Keys
- IP65 Waterproof in front
- Optional VOIP Phone, Webcam and RFID
- EN 60601-1, UL 60601-1

## Specifications

### Main Specifications

Processor	Rockchip RK3288 ARM Cortex-A17 QC 1.6GHz
System Memory	DDR3L 2GB
Expansion Interface	Mini PCIe Slot x 1
Storage Disk Drive	16/64GB eMMC
Wireless Communication	802.11 ac + BT 4.1
Speaker	2W x2
Camera	5 Megapixels
Security	13.56MHz RFID Reader (Optional)
Function Key	Power, Volume Up/Down, Brightness Up/Down,
Power Requirement	DC 12V / Power Over Ethernet
OS Support	Android 6.0

### Display

Size / Type	11.6" (16:9) Color TFT LCD
Max. Resolution	1366 x 768 HD
Luminance(cd/m2)(TYP)	250 nits
Max. Colors	16.7 M
Viewing Angle	90°(H)/50°(V)
Contrast Ratio	500:1
Touch Screen	Projected Capacitive Touch

### I/O

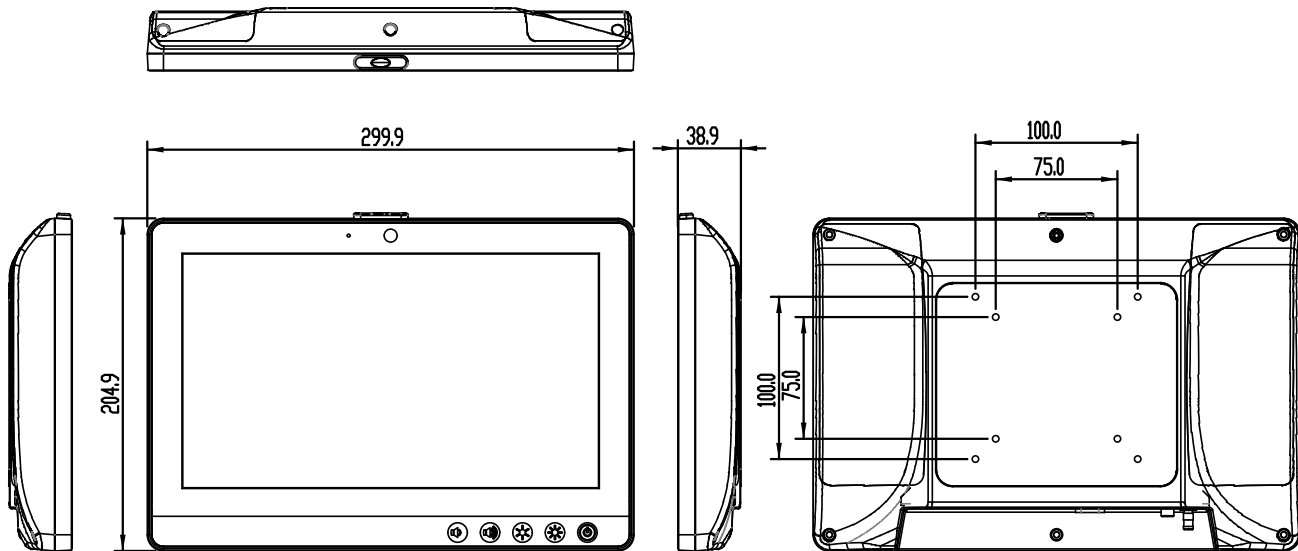
USB	USB 2.0 (Type-A) x2 , Micro USB (OTG) x1 (Optional)
Serial Port	RS-232 x1 (Optional)
Ethernet	Gigabit LAN x1 (Support Power over Ethernet)
Audio	3.5mm Phone Jack x1 (Optional)
Video	HDMI Out x1 (Optional)
SD Card Slot	Micro SD x1 (Optional)
DC-In	DC-In Jack x1

### Mechanical and Environmental

Power Consumption	Anti-Bacteria (Optional)
Operating Temperature	0°C ~ 40°C(32°F ~ 104°F)
Storage Temperature	-20°C ~ 60°C(-4°F ~ 140°F)
Mounting	VESA 75/100 mm
Degree of Protection	Front Panel: IP65, Whole Unit: IP54
Net Weight	1.5 kg (3.3lb)
Gross Weight	4 kg (8.82lb)
Package Dimensions (W x D x H)	540 x 230 x 370 mm
Certifications	CE: EN 60601-1-2:2015(V4.0), EN 60601-1:2006/A1:2013(V3.1) FCC: Part 18 Class B UL: ANSI/AAMI ES60601-1:2012 (V3.1) cUL: CAN/CSA-C22.2 No. 60601-1:2014 (V3.1)

## 11.6" Fanless Android Bedside Infotainment Touch Terminal

Dimension / Unit: mm



### Ordering Information

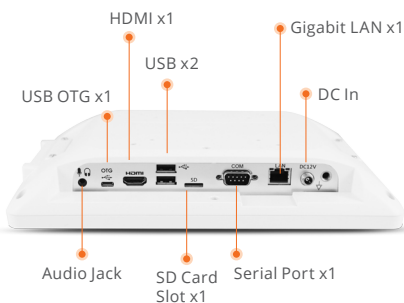
- » ONYX-BE122R-P01-A1-0201  
RISC Beside Terminal.RK3288.11.6".PCT.2GB RAM.16GB eMMC.Camera.POE.Android 6.x

### Optional Accessories

- » 1757306039  
Medical Adapter.60W.12V/5A
- » OPM-T018-A1  
VoIP Handset w/o keypads

# ONYX-BE102R

10.1" Fanless Android Bedside Infotainment Touch Terminal



## Features

- Rockchip RK3288 Processor
- Android 6.0
- 10.1" Wide Color TFT LCD Touch Terminal
- PCT with Multi-Touch support
- Intuitive Front Access Function Keys
- IP65 Waterproof in front
- Optional VOIP Phone, Webcam and RFID
- EN 60601-1, UL 60601-1

## Specifications

### Main Specifications

Processor	Rockchip RK3288 ARM Cortex A17 QC 1.6GHz
System Memory	DDR3L 2GB
Expansion Interface	Mini PCIe Slot x 1
Storage Disk Drive	16GB eMMC
Security	13.56MHz RFID Reader (optional)
Wireless Communication	802.11 ac + BT 4.1
Speaker	2W x2
Camera	5 Megapixels
Function Key	Power, Speaker Volume Up/Down, LCD Brightness Up/Down
Power Requirement	DC 12V / Power over Ethernet
OS Support	Android 6.0

### Display

Size / Type	10.1" LCD (16:9) Color TFT LCD
Max. Resolution	1280 x 800
Luminance(cd/m2)(TYP)	400 nits
Max. Colors	16.7 M
Viewing Angle	170°(H)/170°(V)
Contrast Ratio	800:1
Touch Screen	Projected Capacitive Touch

### I/O

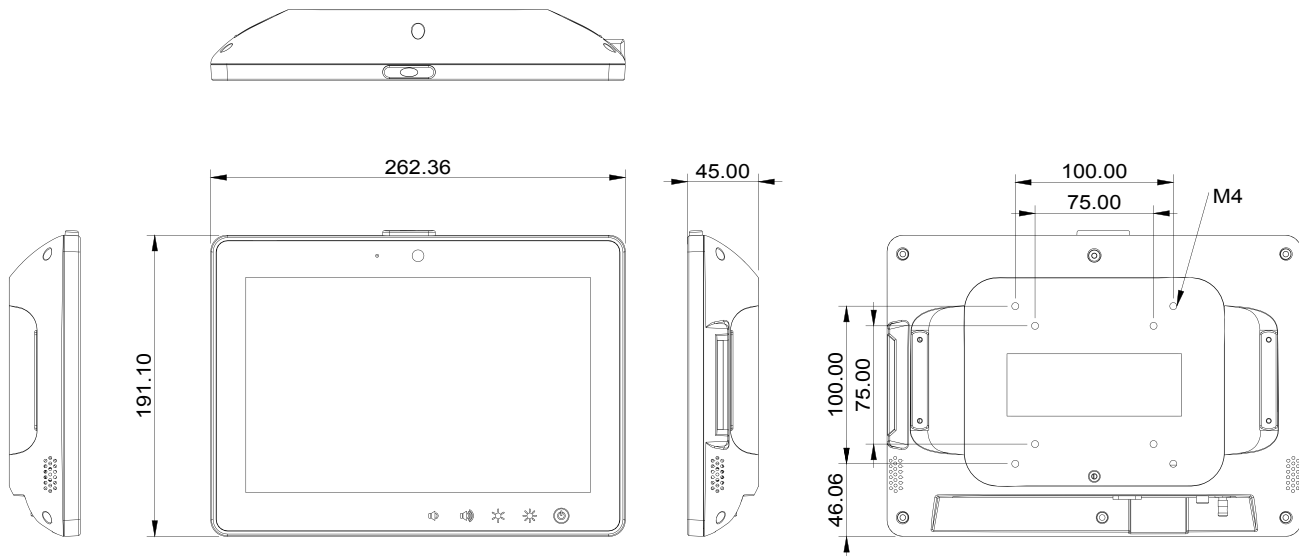
USB	USB 2.0 (Type-A) x2 , Micro USB (OTG) x1 (Optional)
Serial Port	RS-232 x1 (Optional)
Ethernet	Gigabit LAN x1 (Support Power over Ethernet)
Audio	3.5mm Phone Jack x1 (Optional)
Video	HDMI Out x1 (Optional)
SD Card Slot	Micro SD x1 (Optional)
DC-In	DC-In Jack x1

### Mechanical and Environmental

Power Consumption	Anti-Bacteria (Optional)
Operating Temperature	0°C ~ 40°C(32°F ~ 104°F)
Storage Temperature	-20°C ~ 60°C(-4°F ~ 140°F)
Mounting	VESA 75/100 mm
Degree of Protection	Front Panel: IP65, Whole Unit: IP54
Net Weight	1.2 kg (2.6lb)
Gross Weight	3.7 kg (8.2lb)
Package Dimensions (W x D x H)	402 x 190 x 335 mm

## 10.1" Fanless Android Bedside Infotainment Touch Terminal

Dimension / Unit: mm



### Ordering Information

- » ONYX-BE102R-P01-A1-0201  
RISC Beside Terminal.RK3288.10.1".PCT.2GB RAM.16GB eMMC.Camera.POE.Android 6.x

### Optional Accessories

- » 1757306039  
Medical Adapter.60W.12V/5A
- » OPM-T018-A1

# Healthcare Infotainment Accessory Selection

## OPM-H13A-A1

## OPM-H14A-A1

Easi Wall Mount Swivel ARM



### Features

- Built in "Gas Spring" for easy movement
- Cable management
- Anti-bacteria coating (optional)

### Specifications

#### Main Specifications

	OPM-H13A-A1	OPM-H14A-A1
Feature	Long ARM	
Tile	20° up and 35° down (display) 20° up and 60° down (arm)	
Mounting Option	Wall Mount Type	
VESA	75/100mm	
Material	Aluminum alloy and plastic cover	
Pivot	180°, 370°, 270° (wall, arm, display)	
Extension	1907mm	
Capacity	1~6Kg (2.2~13.2lbs)	6~12kg (13.2~26.4lbs)

## OPM-H15A-A1

## OPM-H16A-A1

Easi Ceiling Mount Swivel ARM



### Features

- Built in "Gas Spring" for easy movement
- Cable management
- Anti-bacteria coating (optional)

### Specifications

#### Main Specifications

	OPM-H15A-A1	OPM-H16A-A1
Feature	Ceiling Mount	
Tile	20° up and 35° down (display) 20° up and 60° down (arm)	
Mounting Option	Cell Mount Type	
VESA	75/100mm	
Material	Aluminum alloy and plastic cover	
Pivot	270°, 370°, 270° (ceiling, arm, display)	
Extension	1927mm	
Capacity	1~6Kg	6~12kg

Mobile Cart Computer

# Healthcare Infotainment Accessory Selection

## OPM-H04A

Ergonomic Wall Mount Swivel ARM



### Features

- Durable and easy to clean
- Double Gas springs assisted for high vertical movement
- Fully cable managed

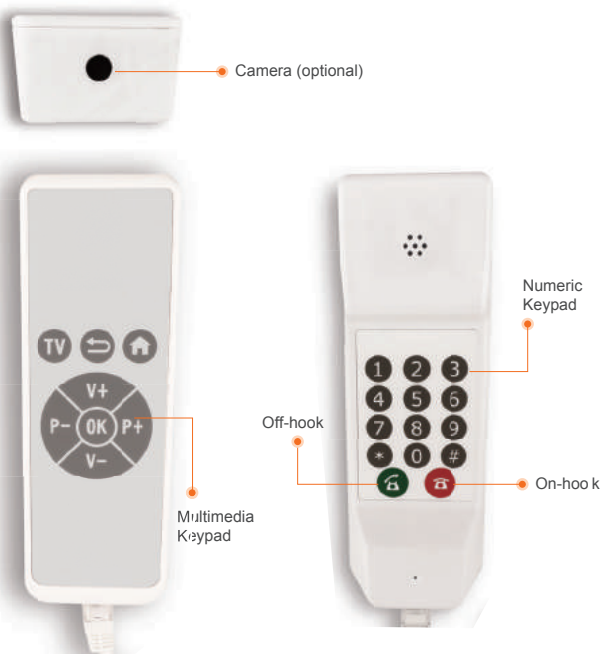
### Specifications

#### Main Specifications

Feature	Long ARM
Tilt	20° up and 40° down
Mounting Option	Wall Mount Type
Material	Aluminum alloy and plastic cover
Arm swivel	180°
Overall reach	1700mm
Capacity	1~8Kg

## OPM-T018

Smart VOIP Handset



### Features

- Extend Onyx Bedside Services closed to the Patients
- Foil keyboard designed for easy cleaning and infection control
- Integrate the hall sensor for auto detection of on and off hook event
- Lockable socket designed for the lost prevention
- Sample code and API available for easy programming of
- key mapping for different field applications

### Specifications

#### Main Specifications

Interface	USB 2.0 with RJ45 Socket
Connection Cable	41cm Curly Cable with RJ45 Plug
On-hook Key	x1
Off-hook Key	x1
Numeric Keypad	1, 2, 3, 4, 5, 6, 7, 8, 9, 0, *, #
Multimedia Keypad	Home, TV, Back, Channel Up, Channel Down, Volume Up, Volume Down, OK
Hall Sensor	x1
Loudspeaker	x1
Microphone	x1
Camera	2 Megapixels x1 (Optional)
Nurse Call Button	x1 (By Request)
Operating Temperature	0°C ~ 40°C(32°F ~ 104°F)
Storage Temperature	-20°C ~ 60°C(-4°F ~ 140°F)
Storage Humidity	10%~95%@35°C, non-condensing
Dimension	54.6(W) x 160(H) x 34.5(D) mm
Net Weight	Approx. 105g

※ All product specifications are subject to change without notice

# Medical Display Series Solution

## Worldwide Medical Safety Standard Approval

All display meets the strictest medical, safety and EMC emissions standards including CE/FCC Class B Passed 18, EN 60601-1:2006



### Key Features

- » » 15"~27" Medical Grade Display
- » » Touch function support
- » » Low power consumption with LED back light panel



### Small to Large LCD Display Choices

The Onyx slim display offers many LCD sizes to fulfill various requirements. 15" (1024 x768), 15.6" (1920x1080), 21.5" (1920x1080), 23.8" (1920x1080), 27" (1920 X 1080)



### Frabjous Touch experience

PCT multi-touch touchscreen solution can also be operated with gloved fingers and bare fingers alike.



### Green and Low power consumption

LED( light emitting diodes) backlighting technology, which offer the advantages over CCFL LCDs of reduced power consumption, better contrast, brightness and color range.



### Long term product life time support

ONYX provides stable and long term support to our customers. Customers could focus on business promotion and product development.



### Flexibility for customization request to medical equipment

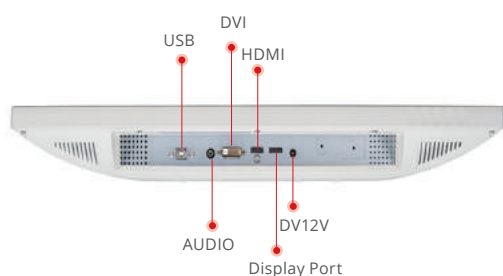
Still couldn't find the perfect match to your request? Don't worry about it. ONYX could base your demand to provide the best solution.





# MEDDP-627

27" Fanless Slim Medical LCD Monitor



## Features

- 27" LCD Panel with LED Backlight
- Compact and Terse Design
- DVIx 1, HDMI x 1, DPx1
- Wide view angle 178°(H)/178°(V)
- True Flat Screen with PCT Touch
- Invisible OSD Design
- Low Power Consumption
- DICOM as optional

## Specifications

### Display

Size	27"
Resolution	Full HD 1920 x 1080
Max. Colors	16.7M
Brightness (Typ.)	300 nits
Viewing Angle (CR=10)(Typ.)	178°(H)/178°(V)
Contrast Ratio (Typ.)	3000:1
Touch Screen	Projective capacitive touch screen (optional)

### System

OS Support	Windows® XP, Windows® 7, Windows® 10
DICOM Support	Optional

### I/O

Audio	Audio-in x 1
Serial Port	USB x 1 for touch controller
Signal	DVI x 1, HDMI x 1, DP x 1
Speaker	2.5W speaker x 2 on back side

### Mechanical and Environmental

Power Consumption	Full Loading: 38.5Watts
Power Requirement	DC12V / 5A power input
Operating Temperature	5°C ~ 40°C(41°F ~ 104°F)
Storage Temperature	-10°C ~ 60°C(14°F ~ 140°F)
Storage Humidity	10%~90%@35°C, non-condensing
IP rating	IP22
Gross Weight	10.4kg (22.93lb)
Net Weight	6.6kg (14.55lb)
Dimension	637.8 x 378.2 x 62.5 mm
Package Dimension (W x D x H)	730 x 300 x 560 mm
Certifications	CE: EN 60601-1-2:2015(V4.0), EN 60601-1:2006/A1:2013/A12:2014(V3.1) FCC: Part 18 Class B

## Ordering Information

- » MEDDP-627HNN-A1-1010  
27" LCD Monitor. 300 nits, DVI-Dx1, HDMIx1, DPx1, DC 12V Adapter
- » MEDDP-627HPN-A1-1010  
27" LCD Monitor. 300 nits, P-CAP Touch, DVI-Dx1, HDMIx1, DPx1, DC 12V Adapter
- » MEDDP-627TND-A1-1010  
27" LCD Monitor. 300 nits, DVI-Dx1, HDMIx1, DPx1, DC 12V Adapter, DICOM
- » MEDDP-627TPD-A1-1010  
27" LCD Monitor. 300 nits, P-CAP Touch, DVI-Dx1, HDMIx1, DPx1, DC 12V Adapter, DICOM

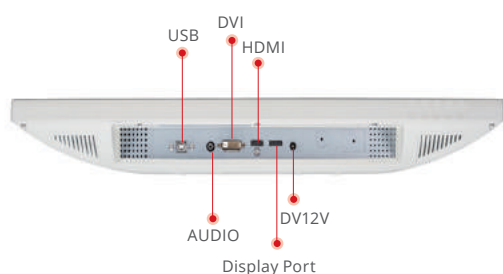
Medical Display Series Solution

# MEDDP-624

24" Fanless Slim Medical LCD Monitor



CE FC



## Features

- 23.8" LCD Panel with LED Backlight
- Compact and Terse Design
- DVI x 1, HDMI x 1, DPx1
- True Flat Screen with PCT Touch
- Invisible OSD Design
- Low Power Consumption
- Audio - 2 x built-in

## Specifications

### Display

Size	23.8"
Resolution	Full HD 1920 x 1080
Max. Colors	16.7M
Brightness (Typ.)	400nits
Viewing Angle (CR=10)(Typ.)	89°(H)/89°(V)
Contrast Ratio (Typ.)	1000:1
Touch Screen	Projective capacitive touch screen (optional)
IP Grade	IP 22

### System

OS Support	Windows® XP, Windows® 7, Windows® 10
DICOM Support	Optional

### I/O

Audio	Audio-in x 2
Serial Port	USB x 1 for touch controller
Signal	DVIx 1, HDMI x 1, DP x 1
Speaker	2W speaker x 2 on back side

### Mechanical and Environmental

Power Consumption	Full Loading:36.7Watts
Power Requirement	DC12V / 5A power input
Operating Temperature	5°C ~ 40°C(41°F ~ 104°F)
Storage Temperature	-10°C ~ 60°C(14°F ~ 140°F)
Storage Humidity	10%~90%@35°C, non-condensing
Gross Weight	8.6kg (19lb)
Net Weight	6.4kg (14.11lb)
Dimension	576 x 344.3 x 62.1 mm
Package Dimension (W x D x H)	645 x 545 x 295 mm
Certifications	CE: EN 60601-1-2:2015(V4.0), EN 60601-1:2006/ A1:2013/A12:2014(V3.1) FCC: Part 18 Class B

## Ordering Information

- » **MEDDP-624HNN-A1-1010**  
23.8" LCD Monitor.400 nits,DVI-Dx1.HDMIx1.DPx1.DC 12V Adapter
- » **MEDDP-624HPN-A1-1010**  
23.8" LCD Monitor.400 nits, P-CAP Touch,DVI-Dx1.HDMIx1.DPx1.DC 12V Adapter
- » **MEDDP-624TND-A1-1010**  
23.8" LCD Monitor.400 nits,DVI-Dx1.HDMIx1.DPx1.DC 12V Adapter, DICOM
- » **MEDDP-624TPD-A1-1010**  
23.8" LCD Monitor.400 nits, P-CAP Touch, DVI-Dx1.HDMIx1.DPx1.DC 12V Adapter, DICOM

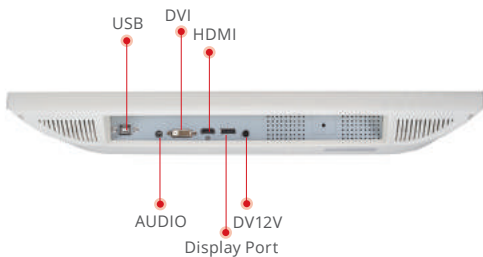
## Medical Display Series Solution

# MEDDP-622

22" Fanless Slim Medical LCD Monitor



CE FC



## Features

- 21.5" LCD Panel with LED Backlight
- Compact and Terse Design
- DVI x 1, HDMI x 1, DP x 1
- True Flat Screen with PCTouch
- Invisible OSD Design
- Low Power Consumption
- Audio - 2 x built-in

## Specifications

### Display

Size	21.5"
Resolution	Full HD 1920 x 1080
Max. Colors	16.7M
Brightness (Typ.)	350 nits
Viewing Angle (CR=10)(Typ.)	89°(H)/89°(V)
Contrast Ratio (Typ.)	1000:1
Touch Screen	Projective capacitive touch screen (optional)
IP Grade	IP 22

### System

OS Support	Windows® XP, Windows® 7, Windows® 10
DICOM Support	Optional

### I/O

Audio	Audio-in x 1
Serial Port	USB x 1 for touch controller
Signal	DVI x 1, HDMI x 1, DP x 1
Speaker	2W speaker x 2 on back side

### Mechanical and Environmental

Power Consumption	Full Loading : 28.7Watts
Power Requirement	DC12V / 5A power input
Operating Temperature	5°C ~ 40°C (41°F ~ 104°F)
Storage Temperature	-10°C ~ 60°C (14°F ~ 140°F)
Storage Humidity	10%~90%@35°C, non-condensing
Gross Weight	8.4kg (18.51lb)
Net Weight	5.7kg (12.56lb)
Dimension	527.3 x 348.5 x 55.1 mm
Package Dimension (W x D x H)	570 x 478 x 260 mm
Certifications	CE: EN 60601-1-2:2015(V4.0), EN 60601-1:2006/ A1:2013/A12:2014(V3.1) FCC: Part 18 Class B

## Ordering Information

- » MEDDP-622HNN-A1-1010  
21.5" LCD Monitor. 350 nits, DVI-Dx1, HDMI x1, DP x1, DC 12V Adapter
- » MEDDP-622HPN-A1-1010  
21.5" LCD Monitor. 350 nits, P-CAP Touch, DVI-Dx1, HDMI x1, DP x1, DC 12V Adapter
- » MEDDP-622TND-A1-1010  
21.5" LCD Monitor. 350 nits, DVI-Dx1, HDMI x1, DP x1, DC 12V Adapter, DICOM
- » MEDDP-622TPD-A1-1010  
21.5" LCD Monitor. 350 nits, P-CAP Touch, DVI-Dx1, HDMI x1, DP x1, DC 12V Adapter, DICOM

## Medical Display Series Solution

**MEDDP-615**

15.6" Fanless Slim Medical LCD Monitor



## Features

- 15.6" 1920 x 1080 Resolution Display
- Projected Capacitive Multi-touch
- VGA input and HDMI input
- Stylish and elegant design

## Specifications

### Display

Size	15.6"
Resolution	Full HD 1920 x 1080
Max. Colors	16.7M
Brightness (Typ.)	300 nits
Viewing Angle (CR=10)(Typ.)	85°(H)/85°(V)
Contrast Ratio (Typ.)	700:1
Touch Screen	Projective capacitive touch screen

### System

OS Support	Windows® XP, Windows® 7, Windows® 10
------------	--------------------------------------

### I/O

Audio	Audio-in x 1
Serial Port	USB x 1 for touch controller
Signal	VGA x 1, HDMI x 1
Speaker	1 W speaker x 2 on back side

### Mechanical and Environmental

Power Consumption	Full Loading :24.37Watts
Power Requirement	DC12V / 5A power input
Operating Temperature	5°C ~ 40°C(41°F ~ 104°F)
Storage Temperature	-10°C ~ 60°C(14°F ~ 140°F)
Storage Humidity	10%~90%@35°C, non-condensing
Gross Weight	6.5 kg (14.33lb)
Net Weight	2.8 kg (6.2lb)
Dimension	387.8 x 232.9 x 38.4 (mm)
Package Dimension (W x D x H)	425.3 x 269.2 x 45.6 (mm)
Certifications	CE: EN 60601-1-2:2015(V4.0), EN 60950-1 EN 60601-1:2006/A1:2013/A12:2014 (V3.1) EN 62366:2007 + A1:2014 (V1.1) FCC: Part 18 Class B, Part 15 Class B UL: ANSI/AAMI ES60601-1:2012 (V3.1) cUL: CAN/CSA-C22.2 No. 60601-1:2014 (V3.1)

## Ordering Information

- » MEDDP-615HPN-A1-1010  
15.6" LCD Monitor.300 nits.P-CAP touch,VGAx1.HDMIx1.DC 12V Adapter

## Medical Display Series Solution

# MEDDP-415

15" Fanless Slim Medical LCD Monitor



CE FC



## Features

- 15" 1024 x 768 Resolution Display
- P-cap touch
- Stylish And Elegant Design

## Specifications

### Display

Size	15"
Resolution	1024 x 768
Max. Colors	16.2M
Brightness (Typ.)	300 nits
Viewing Angle (CR=10)(Typ.)	80°(H)/80°(V)
Contrast Ratio (Typ.)	700:1
Touch Screen	P-cap Touch, Protective Glass

### System

OS Support	Windows®XP, Windows® 7, Windows® 10
------------	-------------------------------------

### I/O

Audio	Audio-in x 1
Serial Port	USB x 1 for touch controller
Signal	VGA x 1, HDMI x 1
Speaker	1 W speaker x 2 on backside

### Mechanical and Environmental

Power Consumption	Full Loading:24.3Watts
Power Requirement	DC12V / 5A power input
Operating Temperature	5°C ~ 40°C(41°F ~ 104°F)
Storage Temperature	-10°C ~ 60°C(14°F ~ 140°F)
Storage Humidity	10%~90%@35°C, non-condensing
Gross Weight	2.6kg (5.73 lb)
Net Weight	3.7 kg (8.16lb)
Dimension	352.5x 276.1 x 45.0 (mm)
Package Dimension (W x D x H)	402.5x 326.1 x 80.0 (mm)
Certifications	CE: EN 60601-1-2:2015(V4.0) EN 60601-1:2006 / A1:2013(V3.1) FCC: Part 18 Class B, Part 15 Class B

## Ordering Information

- » MEDDP-415HNN-A1-1010  
15" LCD Monitor.300 nits.VGAx1.HDMIx1.DC 12V Adapter
- » MEDDP-415HPN-A1-1010  
15" LCD Monitor.300 nits, P-CAP touch.VGAx1.HDMIx1.DC 12V Adapter

# MEDPC Series

## Dependable, Ready to Use Platform for Medical Equipment & OEM/ODM

MEDPC series is designed to achieve the high requirements of Hospital IT field and medical task that a hospital has. Its fanless design ensures that it will be quiet, and stop infection spreading from hiding in the fan. It has wide selections of up-to-date upgrades, and it has 5-7 lifecycle. Best of all, this Medical Grade Computer is already medical certified just like all of our products.



### Key Features

- » » Medical certification with high performance CPU
- » » Fanless design and no bacterial infection concern
- » » Flexible function extension ability
- » » Different options for different purpose

### + Ready-to-use Medical Certified Platform

MEDPC is certified with EN 60601-1, UL 60601-1, FCC & CE Class B regulation. Detailed ISO 13485 and 14971 Risk Management Control guarantee product quality.



### + Latest/Current Off-the-shelf Processor

From Intel® Quad Core i7, to Atom™ series, you can choose the best processor for the system. No matter for imaging capturing, data analyzing, photo viewing, or just EMR storage, you can always find right chipset.



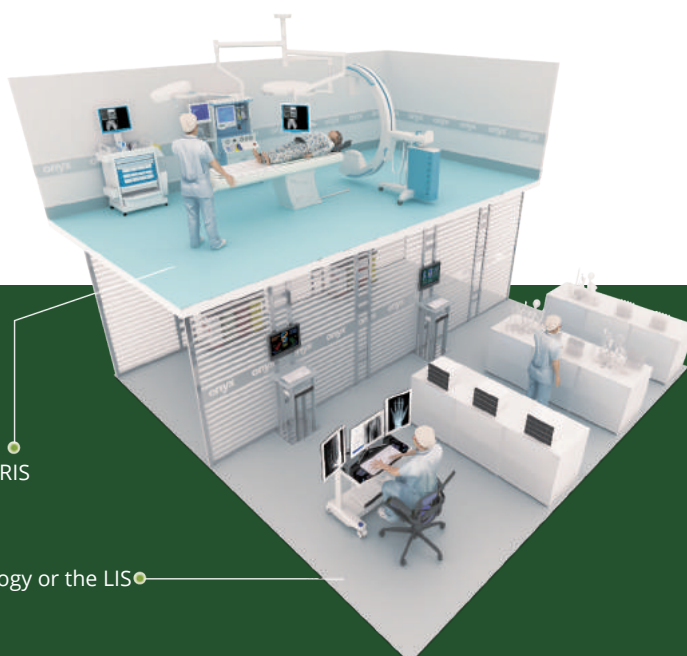
### + Unique Medical Device Functions

MedPC products with IP-X1 enclosure are easy to clean with detergent and water splitting proof. Isolated IO interfaces like Ethernet, COM and USB let system connect to other medical device or accessories risk free.



### + 5-7 Year Longevity Lifecycle Support

Your time and efforts can now focus on business promotions and product development. A careful design and vendor approval approach as well as scheduled reviews, minimizes unwelcome surprises during the product life cycle.



RIS

Biotechnology or the LIS



Biotechnology / Lab



His / NIS



RIS

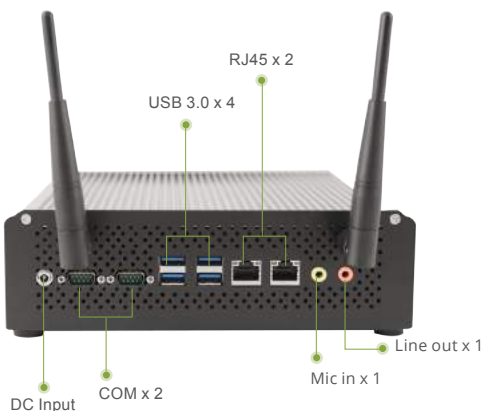


Pharmaceutical

MEDPC Series for Medical Equipment & OEM/ODM

# MEDPC-g100

High Performance Modularize Medical Grade Box PC with Intel® Xeon / Core i7 CPU



## Features

- Intel® Xeon E3-1505M v5 2.8GHz / Core i7-6820EQ 2.8GHz
- Supports DDR4 up to 32GB memory
- 4x USB 3.0 & 2x 1.5V Isolated LAN in rear I/O
- Supports iAMT
- Supports TPM 2.0
- 100V to 240V AC Input
- Modularize Design
- Second layer for extension
- Support PCIe[x16] x1, PCIe[x4] x1, PCIe[x1] x1

## Application

- HIS, LIS, RIS
- Pharmaceutical industry
- Biotech Lab
- Signage in hospital
- Equipment control

## Specifications

### Main Specifications

Processor	Intel® Xeon E3-1505M v5 2.8GHz / Core i7-6820EQ 2.8GHz
System Memory	Supports Dual Channel DDR4 2133 SODIMM up to 32GB
Chipset	Intel® CM238
OS Support	Windows® 7, Windows® 8.1, Windows® 10, Linux® (optional)
Storage Disk Drive	2.5" SATA
TPM	2.0
Management tool	Intel® AMT

### I/O

USB	USB 3.0 x 4
Ethernet	1.5 kv Isolated Gigabit LAN x 2
Video Out	DP x 1
Audio	Mic-in, Line-out
Series Ports	COMx2
Extension area	M.2 E key (2230) for WIFI x1, PCIe [x16] x1 PCIe [x4] x1, PCIe[x1] x1

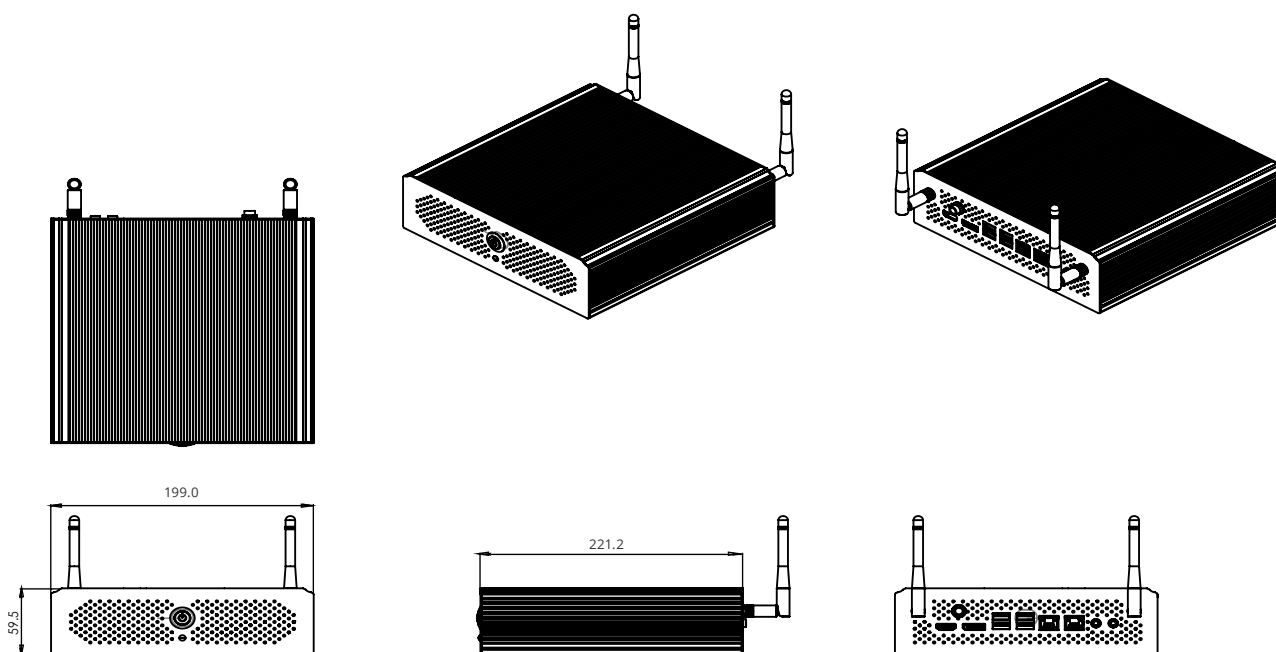
### Mechanical and Environmental

Power Requirement	DC12V power input
Operating Temperature	0°C ~ 35°C(32°F ~ 95°F)
Storage Temperature	-20°C ~ 60°C(-4°F ~ 140°F)
Net Weight	2.5 kg in the single layer, 3.7 kg in two layers
Gross weight	3.3 kg in the single layer, 4.0 kg in two layer.
Dimension	199.2 (W) x 221.2(D) x 59.5(H) mm for main layer 199.2 (W) x 221.2(D) x 44.2 mm for extension layers
Package Dimension (W x D x H)	300 x 280 x 95 mm



## High Performance Modularize Medical Grade Box PC with Intel® Xeon / Core i7 CPU

### Dimension / Unit: mm



### Ordering Information

- » MEDPC-9100-N01-A1-0001  
MEDPC-9100.CM238. Xeon E3-1505M v5.Fan.
- » MEDPC-9100-N01-A2-0001  
MEDPC-9100.CM238. i7-6820EQ.Fan
- » MEDPC-9100-N01-A4-0001  
MEDPC-9100.CM238. i7-6822EQ Fanless

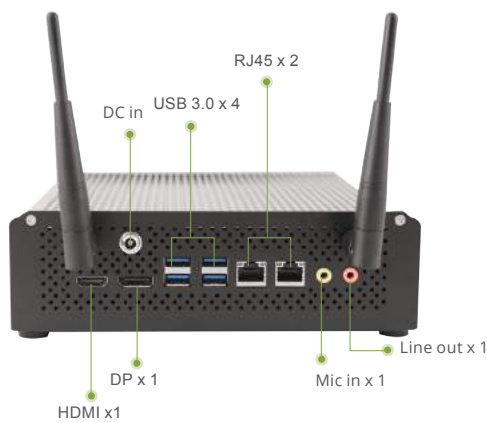
### Optional Accessories

- » 1255301205  
(AOH)(TF)Medical Power Adaptor.AC/DC.100-240V.12V.10A.120W.W/4P DIN.EDAC.EM11011H
- » OPM-C10W-A6  
WLAN Kit.Intel 8265.802.11ac/a/b/g/n.BT 4.2.with dual band antenna.MEDPC-9000 series
- » M91-SEC-A1  
MEDPC-9100.extension area.
- » 9689R33010  
(AOH)(TF).PCIE.EXPRESS CARD.x16 to x16.Bplus.R33SL-010A.FOR MEDPC-9100

MEDPC Series for Medical Equipment & OEM/ODM

# MEDPC-9200

High Performance Medical Grade Fanless Box PC with Intel® 6/7th Generation Core™ i Series



## Features

- Intel 6/7th Generation Core i, 35W~65W TDP
- Chipset: H110
- Supports DDR4 up to 32GB
- Extension area: PCI-Express [x1] x 1, Half-size Mini-Card x 1, Full/Half-size Mini-Card x 1
- Two Independent FHD(optional) Display: DP/HDMI
- Supports TPM 2.0
- Modularize Design
- Second layer for extension

## Application

- HIS, LIS, RIS
- Pharmaceutical industry
- Biotech Lab
- Signage in hospital
- Equipment control

## Specifications

### Main Specifications

Processor	Intel® 7th/6th Generation Core™ i7/Core™ i5/Core™ i3
System Memory	Supports Dual Channel DDR4 SODIMM up to 32 GB
Chipset	Intel® H110
OS Support	Windows® 7, Windows® 8, Windows® 10, Linux® (optional)
Extension area	PCI-Express [x1] x 1, Half-size Mini-Card x 1, Full/Half-size Mini-Card x 1
Storage Disk Drive	2.5" SATA SSD x 1 mSATA(3Gb/s)
TPM	2.0 (optional)

### I/O

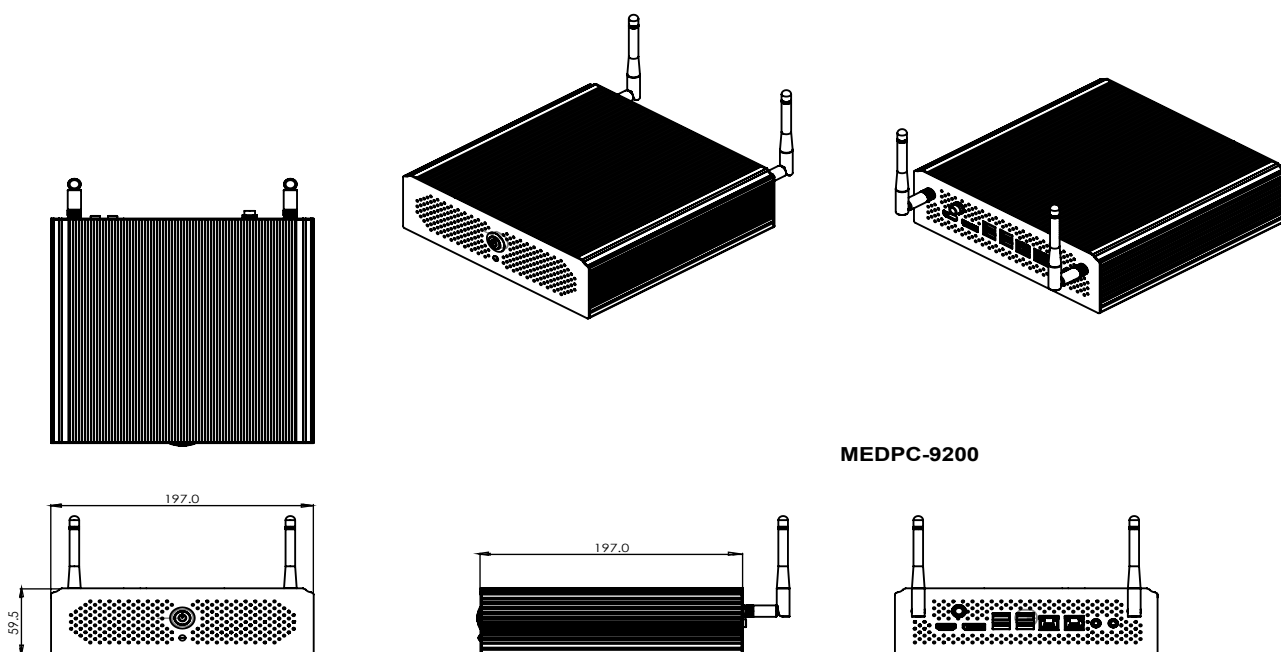
USB	USB 3.0 x 4
Ethernet	Gigabit LAN x 2
Video Out	Display Port x 1, HDMI x 1
Audio	Mic-in, Line-out x1

### Mechanical and Environmental

Power Requirement	DC12V power input
Operating Temperature	0°C ~ 40°C(32°F ~ 104°F)
Storage Temperature	-20°C ~ 60°C(-4°F ~ 140°F)
Net Weight	2.5 kg in the single layer, 3.7 kg in two layers
Gross weight	3.3 kg in the single layer, 4.0 kg in two layer.
Dimension	197 x 197 x 59.5 mm for main layer 197 x 197 x 44 mm for extension layers
Package Dimension (W x D x H)	300 x 280 x 95 mm

## High Performance Medical Grade Fanless Box PC with Intel® 6/7th Generation Core™ i Series

### Dimension / Unit: mm



MEDPC-9200



### Ordering Information

- » MEDPC-9200-N01-A1-0001  
MEDPC-9200.EMB-H110. I7-6700TE.Fanless.
- » MEDPC-9200-N01-A2-0001  
MEDPC-9200.EMB-H110. I5-6500TE.Fanless.
- » MEDPC-9200-N01-A3-0001  
MEDPC-9200.EMB-H110. I3-6100TE.Fanless.

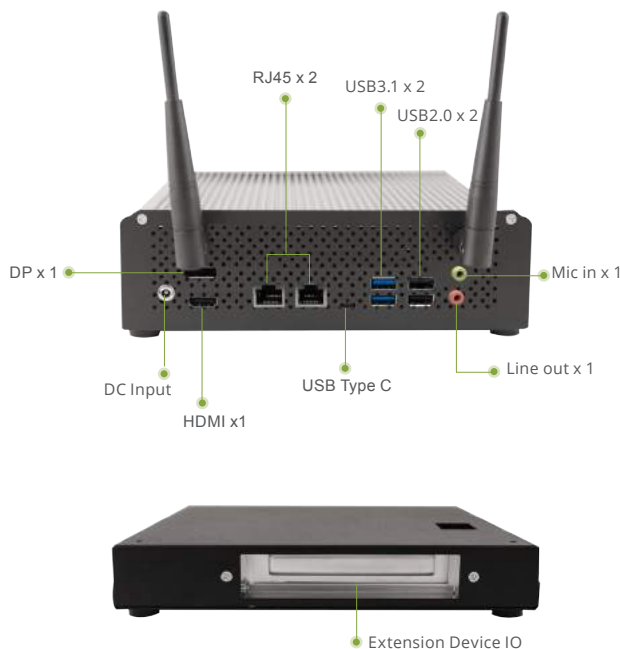
### Optional Accessories

- » 1255300907  
(AOH)(TF) Power Adapter.100-240Vac.50/60Hz.1.5A..12Vdc.7.5A.90W.FSP.FSP090M-RHA(w/Lock)
- » OPM-C06W-A1  
WLAN Kit.802.11a/b/g/n w/BT 4.0.Mini Card.dual white ext. antenna.Atheros AR5B22
- » M92-SEC-A1  
MEDPC-9200.extension area.
- » OPM-R03X-A1  
PCI Express[x1] Riser Kit.for MATE series

MEDPC Series for Medical Equipment & OEM/ODM

# MEDPC-9300

High Performance Medical Grade Box PC with AMD Ryzen™ Embedded V807B/V1605B



## Features

- AMD Ryzen Embedded V1807/ V1605B
- Vega GPU with up to 11 / 8 Compute Units
- 1x PCI-E(8x), 1x Mini PCI-E socket, 1x M.2 (M-key)
- Three Independent 4K Display for 1x HDMI, 1x DP , 1x USB type C
- Supports fTPM
- 100V to 240V AC Input
- Modularize Design
- Second layer for extension

## Application

- HIS, LIS, RIS
- Pharmaceutical industry
- Biotech Lab
- Signage in hospital
- Equipment control

## Specifications

### System

Processor	AMD Ryzen™ Embedded V1807B/V1605B Processor on board (FP5 BGA package)
System Memory	DDR4 SoDIMM x2, Max. 32GB (V1807B) DDR4 SoDIMM x2, Max. 24GB (V1605B)
Graphics	Next-gen AMD Vega GPU integrated up to 11 (V1807B) Next-gen AMD Vega GPU integrated up to 8 (V1605B)
Ethernet	2x RJ45
Expansion Interface	1x PCI-E(8x),1x Mini PCI-E,1x M.2 (M-key, type:2230),1x M.2 (E-key, type:2280),
BIOS	AMI
OS Support	Win 10 IoT Enterprise 64-bit / Linux Ubuntu 64-bit

### Display

Video Out	1x HDMI (2.0a), 1x DisplayPort (1.4)
Display	Up to 3840 x 2160 resolution, at 60Hz
HDMI	Up to 3840 x 2160 resolution, at 60Hz

### I/O

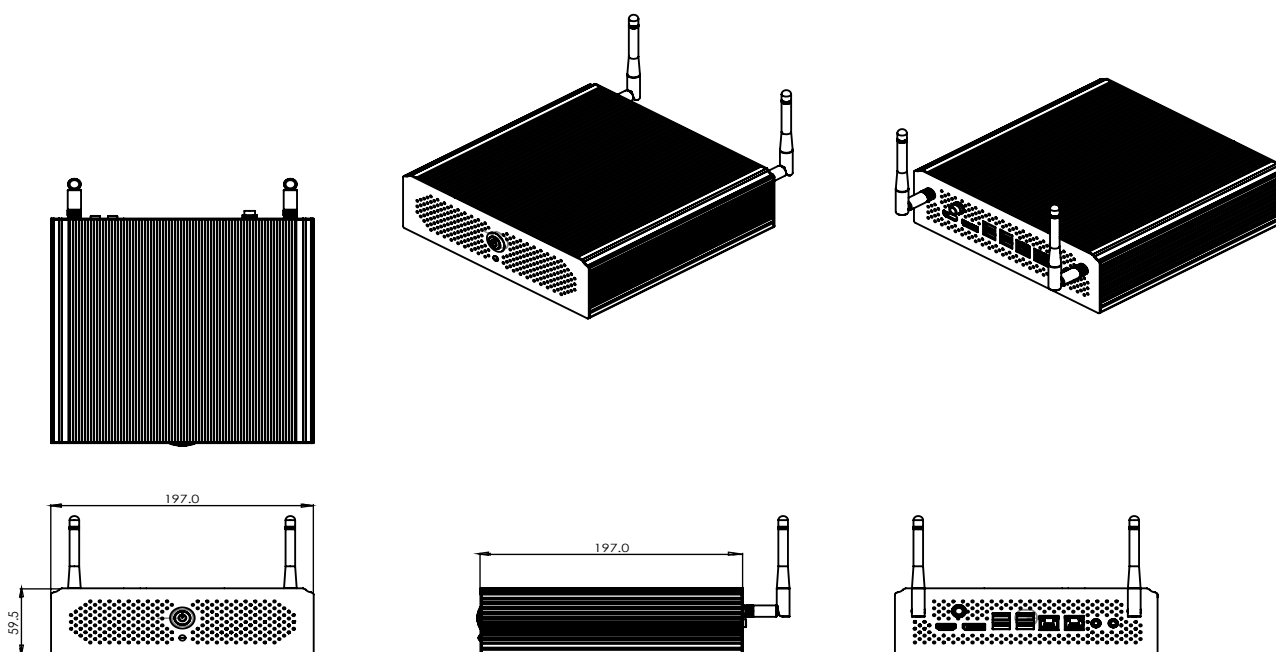
Storage	1x mSATA, 1x M.2
USB	2x USB 3.1 , 2x USB 2.0 , 1xUSB TypeC
Audio	Built-in HD audio w/ALC662 codec for 5.1 channel
LAN	2X RJ 45Gigabit Ethernet
Audio Jack	1 x Line-In, 1 x Line-Out
Power Input	Screw Lock DC Jack

### Mechanical and Environmental

Power Requirement	DC12V power input
Operating Temperature	0°C ~ 40°C(32°F ~ 104°F)
Storage Temperature	-20°C ~ 60°C(-4°F ~ 140°F)
Net Weight	2.5 kg in the single layer, 3.7 kg in two layers
Gross weight	3.3 kg in the single layer, 4.0 kg in two layer.
Dimension	197 x 197 x 59.5 mm for main layer 197 x 197 x 44 mm for extension layers
Package Dimension (W x D x H)	300 x 280 x 95 mm

## High Performance Medical Grade Box PC with AMD Ryzen™ Embedded V807B/V1605B

### Dimension / Unit: mm



### Ordering Information

- » MEDPC-9300-N01-A1-0001  
MEDPC-9300. AMD Ryzen™ Embedded V1807B.
- » MEDPC-9300-N01-A2-0001  
MEDPC-9300. AMD Ryzen™ Embedded V1605B.

### Optional Accessories

- » 1255301205  
(AOH)(TF)Medical Power Adaptor.AC/DC.100-240V.12V.10A.120W.W/4P DIN.EDAC.EM11011H
- » OPM-C10W-A6  
WLAN Kit.Intel 8265.802.11ac/a/b/g/n.BT 4.2.with dual band antenna.MEDPC-9000 series
- » M93-SEC-A1  
MEDPC-9300.extension area.

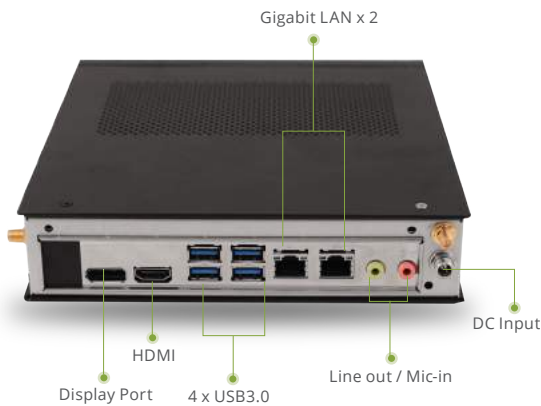
MEDPC Series for Medical Equipment & OEM/ODM

# MEDPC-5700

High Performance Medical Grade Box PC with Intel® 4th Generation Core™ i Series



4 x USB 2.0



## Features

- Intel® 4th Generation Quad Core i7 /i5/ i3 Processor
- Intel® Q87 Chipset
- Supports Dual Channel DDR3 SODIMM up to 16GB
- High Speed USB 3.0 Ports
- +12V to +24V Wide Range DC Input

## Application

- HIS, LIS, RIS
- Pharmaceutical industry
- Biotech Lab
- Signage in hospital
- Equipment control

## Specifications

### Main Specifications

Processor	Intel® 4th Generation Quad Core i7 /i5/ i3 Processor
System Memory	Supports Dual Channel DDR3 SODIMM up to 16GB
Chipset	Intel® Q87
OS Support	Windows® 7, Windows® 8, Windows®10, Linux® (optional)
Storage Disk Drive	2.5" SATA SSD Drive bay x 1

### I/O

USB	USB 3.0 x 4 , USB 2.0 x 4
Ethernet	Gigabit LAN x 2
Video Out	Display Port x 1, HDMI x 1
Audio	Mic-in, Line-out

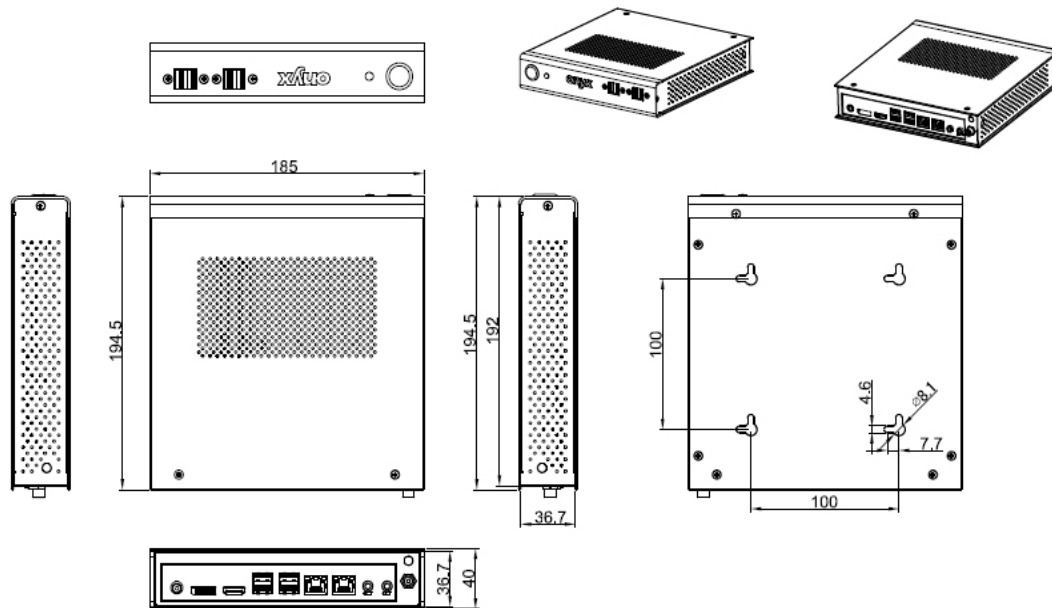
### Mechanical and Environmental

Power Requirement	DC12V~24V power input
Operating Temperature	0°C ~ 40°C(32°F ~ 104°F)
Storage Temperature	-20°C ~ 60°C(-4°F ~ 140°F)
Net Weight	1.5kg (3.3lb)
Gross weight	2.9kg (6.4lb)
Dimension	185 x 194 x 40 mm
Package Dimension (W x D x H)	255 x 160 x 275 mm

Certifications	CE: EN 60601-1-2:2015(V4.0), EN 60601-1:2006/A1:2013/A12:2014 (V3.1) FCC: Part 18 Class B, Part 15 Class B, UL: ANSI/AAMI ES60601-1:2012 (V3.1) cUL: CAN/CSA-C22.2 No. 60601-1:2014 (V3.1)
----------------	---

## High Performance Medical Grade Box PC with Intel® 4th Generation Core™ i Series

### Dimension / Unit: mm



### Ordering Information

- » MEDPC-5700-A1-1010  
Emb. Sys., i7-4770TE , DC 12V~24V, 4GB RAM, 1HDMI, 2LAN, 4USB 3.0
- » MEDPC-5700-A1-1020  
Emb. Sys., i5-4590TE , DC 12V~24V, 4GB RAM, 1HDMI, 2LAN, 4USB 3.0
- » MEDPC-5700-A1-1030  
Emb. Sys., i3-4330TE , DC 12V~24V, 4GB RAM, 1HDMI, 2LAN, 4USB 3.0

### Optional Accessories

- » 1255301202  
Power Adapter. AC/DC.100-240V.24V.5A.120W.W/ Lock
- » OPM-C16W-A1  
WLAN Kit.802.11a/b/g/n w/BT 4.0.Mini Card.dual white ext. antenna.Atheros AR5B22

MEDPC Series for Medical Equipment & OEM/ODM

# MEDPC-2700

Fanless Medical Grade Box PC with Intel Cherry Trail Process



## Features

- Intel® Cherry Trail x5-Z8350 SoC
- Onboard DDR3L 2 GB memory
- Onboard 32GB eMMC storage
- 1x Gigabit LAN, 4x USB 2.0, 1x HDMI
- Optimized Fan-less Cooling Design
- 3G/4G LTE/LoRa available (Optional)

## Application

- Pharmaceutical industry
- Biotech Lab
- Signage in hospital
- Equipment control
- Internet getaway

## Specifications

### Main Specifications

Processor	Intel® Cherry Trail x5-Z8350 SoC
System Memory	Onboard DDR3L 2GB SODIMM up to 4 GB
GPU	Intel® HD Graphics
OS Support	Android 6.0, Windows® 7, Windows® 8, Windows® 10, Linux® (optional)
Storage Disk Drive	Onboard eMMC storage up to 32 GB
Wireless Communication	IEEE 802.11 a/b/g/n. BT 4.0
Power Requirement	5V DC-in

### I/O

USB	4 x USB2.0 Type A,
Ethernet	1x RJ45 Gigabit LAN
Video	1 x HDMI 2.0,
Audio	N/A

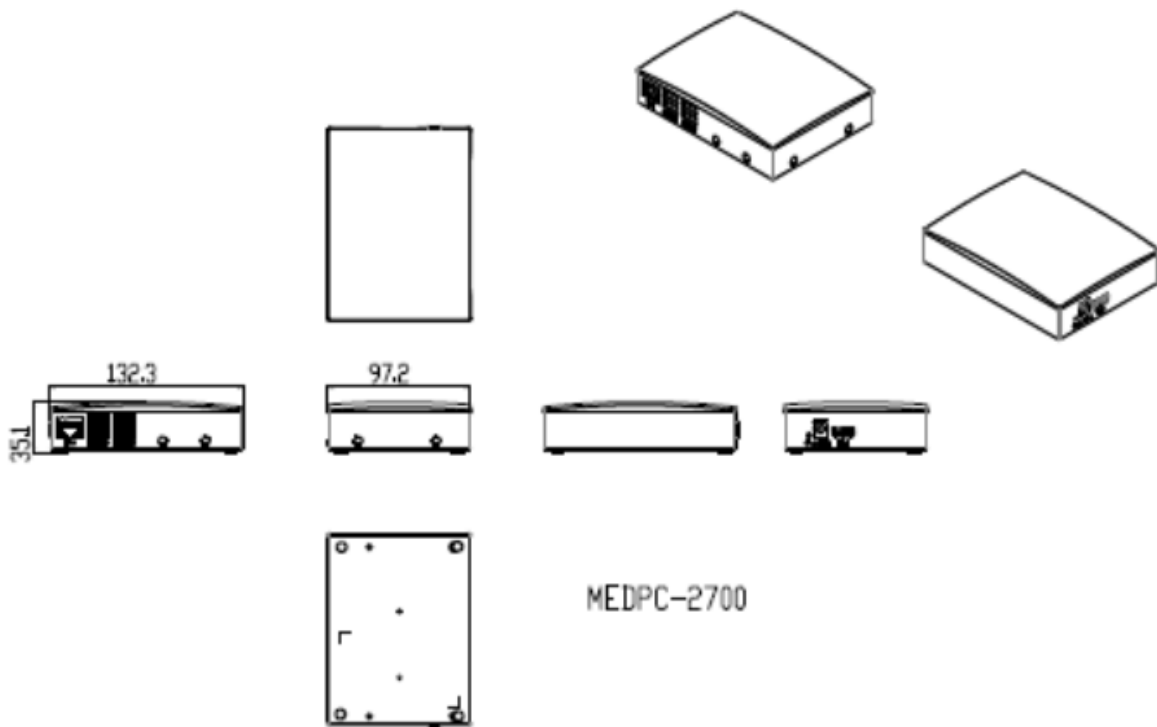
### Mechanical and Environmental

Operating Temperature	0°C – 30°C(32°F – 86°F)
Storage Temperature	-20°C – 60°C(-4°F – 140°F)
Dimension	131 x 97.8 x 32 mm
Certification	CE: EN 60601-1-2:2015(V4.0), EN 60601-1:2006/A1:2013/A12:2014 (V3.1) FCC: Part 18 Class B, Part 15 Class B, UL: ANSI/AAMI ES60601-1:2012 (V3.1) cUL: CAN/CSA-C22.2 No. 60601-1:2014 (V3.1)



## Fanless Medical Grade Box PC with Intel Cherry Trail Process

### Dimension / Unit: mm



### Ordering Information

- » MEDPC-2700-A1-1010  
MEDPC.Z8350.Fanless.DC5.2GB RAM.32GB EMMC. Windows 10

### Optional Accessories

- » 1255300170  
(AOH)(TF)Medical Power Adaptor.AC/DC.100 ~ 240V.5V.3.5A.17.5W.90D DC Plug.Adapter.ATM020-W050U(USA-Level VI)
- » OPM-C13W-A0  
WLAN Kit.IEEE 802. 11 a/b/g/n.2. 4GHz and 5GHz.BT 4.2.for MEDPC-2700.for MEDPC-2700
- » OPM-C13W-A1  
WLAN Kit.IEEE 802. 11 a/b/g/n.2. 4GHz and 5GHz..for MEDPC-2700
- » OPM-C13W-A2  
BT 4.2 module.for MEDPC-2700
- » OPM-Y80T-A0  
UART Wireless function Board.for MEDPC-2700

MEDPC Series for Medical Equipment & OEM/ODM

# MEDPC-2100

Ultra slim Intel Bay Trail SoC Embedded Platform for HIT



## Features

- Intel Bay Trail J1900 (Quad Core) 2GHz
- Multiple display output support
- Fanless easy clean design
- Mini Size

## Application

- HIS, LIS, RIS
- Pharmaceutical industry
- Biotech Lab
- Signage in hospital
- Equipment control

## Specifications

### Main Specifications

Processor	Intel® Celeron J1900 (Quad Core) 2GHz
Video Chipset	Intel® HD Graphics
Display Memory	Shared Memory
System Memory	204-pin DDR3L support to 8GB
Expansion	1 x Half size Mini Card Slot ; 1 Mini card slot
System Storage	CFAST Cardx 1
OS Support	Windows® 7, Windows® 8, Windows®10, Linux®

### I/O

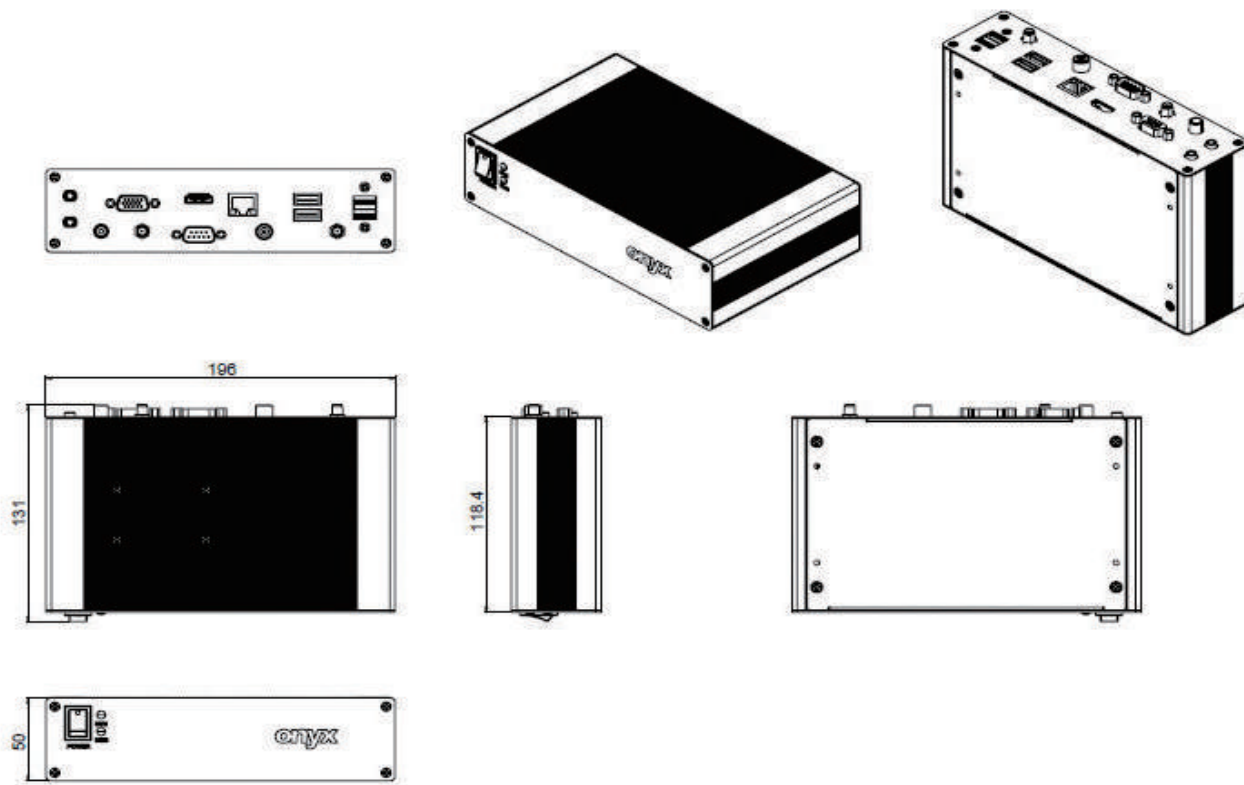
USB	USB 2.0 x 3, USB 3.0 x 1
COM Port	RS-232 x 1
Video Interface	VGA x 1, HDMI x 1
Power Jack	DC Power Input Connector
Ethernet	GbE LAN x 1 by RJ-45
SMA Connector	SMA Connector for WLAN antenna ( removable) (optional)
Power Switch	1 Power switch button and 2 LED indicator (HDD, SYS) ( Orange Red, Green)
Audio	Line out / Line-in

### Mechanical and Environmental

Power Consumption	Full Loading: 38.453Watts
Power Requirement	DC 12V power input
Operating Temperature	0°C ~40°C( 32°F ~104°F)
Storage Temperature	-20°C ~ 60°C(-4°F ~ 140°F)
Net Weight	1.2Kg (2.64lb)
Gross weight	2.4kg (5.28lb)
Dimension	196 x 131 x 50 mm
Package Dimension (W x D x H)	305 x 225 x 230 mm
Certifications	CE: EN 60601-1-2:2015(V4.0), EN 60601-1:2006/A1:2013/A12:2014 (V3.1) FCC: Part 18 Class B, Part 15 Class B, UL: ANSI/AAMI ES60601-1:2012 (V3.1) cUL: CAN/CSA-C22.2 No. 60601-1:2014 (V3.1)

## Ultra slim Intel Bay Trail SoC Embedded Platform for HIT

### Dimension / Unit: mm



### Ordering Information

- » MEDPC-2100-A1-1010  
Emb. Sys., J1900 2.42GHz, DC 12V, 2GB RAM, 1 LAN, 1 USB 3.0, 3 USB 2.0, 1 VGA, 1HDMI, 1 COM

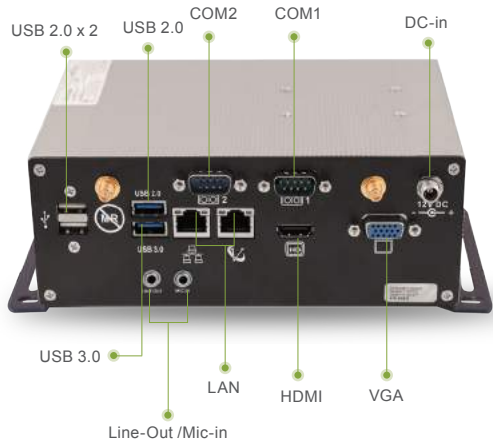
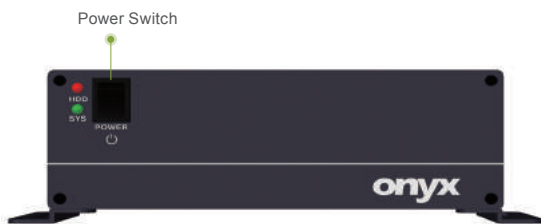
### Optional Accessories

- » 1757306039  
Medical Power Adaptor.100 ~ 240V.12V.5A.60W.DC.W/ Lock.Adapter.ATM065-P120(w/core)
- » OPM-C16W-A7  
WLAN Kit.Atheros AR1111.802.11b/g/n+BT 4.0.Mini Card.dual white ext. antenna.for MEDPC-2100

MEDPC Series for Medical Equipment & OEM/ODM

# MEDPC-2000

Intel Bay Trail SoC Embedded Platform for HIT



## Features

- Intel Bay Trail J1900 (Quad Core) 2GHz
- Multiple display output support
- Fanless easy clean design
- Compact Size

## Application

- HIS, LIS, RIS
- Pharmaceutical industry
- Biotech Lab
- Signage in hospital
- Equipment control

## Specifications

### Main Specifications

Processor	Intel® Celeron J1900 (Quad Core) 2GHz
Video Chipset	Intel® HD Graphics
Display Memory	Shared Memory
System Memory	204-pin DDR3L support to 8GB
Expansion	1 x Half size Mini Card Slot
System Storage	2.5" SATA HDD / SSD x 1
OS Support	Windows 7, Windows 10

### I/O

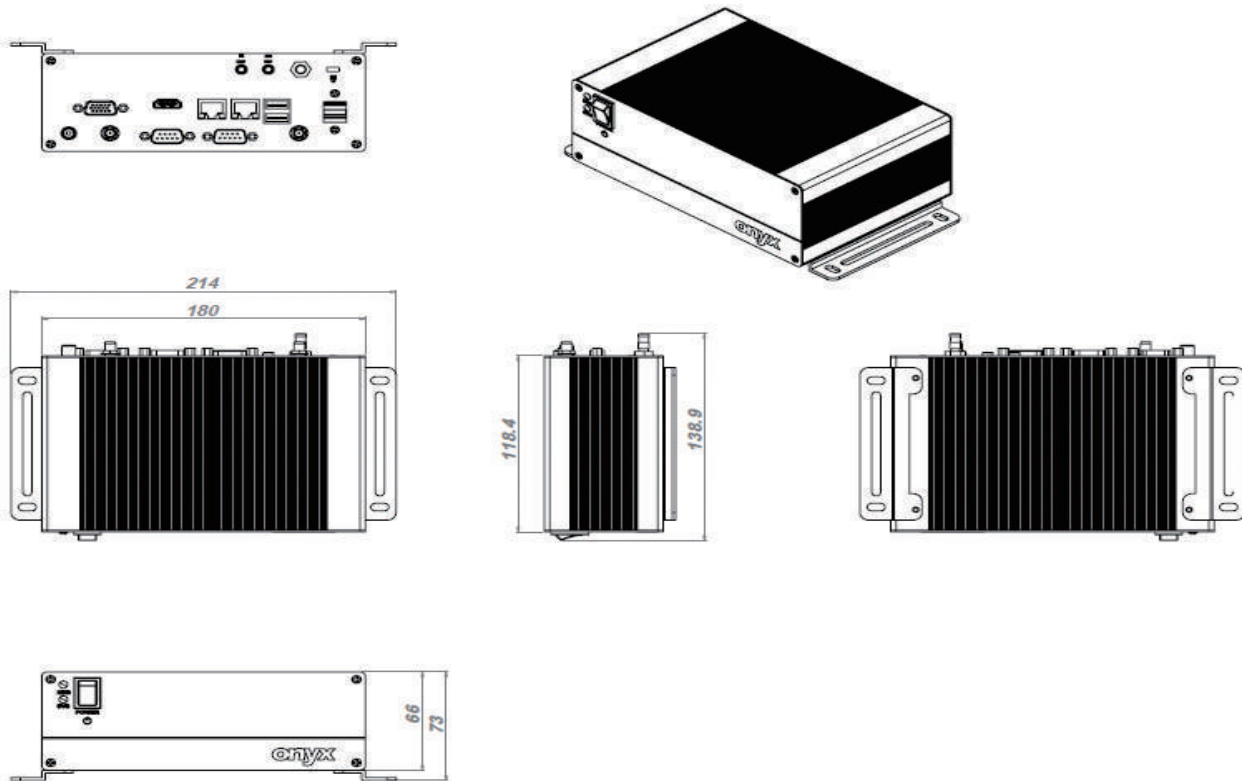
USB	USB 2.0 x 3, USB 3.0 x 1
COM Port	RS-232 x 2
Video Interface	VGA x 1, HDMI x 1
Ground Pin	Grounding PIN 42801(removable)
Power Jack	DC Power Input Connector
Kensington Lock Hole	1 Kensington Lock Hole
Ethernet	GbE LAN x 2 by RJ-45
SMA Connector	SMA Connector for WLAN antenna (removable) (optional)
Power Switch	1 Power switch button and 2 LED indicator (HDD, SYS) (Orange Red, Green)
Audio	Line out / Mic-in

### Mechanical and Environmental

Power Consumption	Full Loading: 38.453Watts
Power Requirement	DC 12V power input
Operating Temperature	0°C ~ 40°C (32°F ~ 104°F)
Storage Temperature	-20°C ~ 60°C (-4°F ~ 140°F)
Net Weight	1.7Kg (3.75lb)
Gross weight	2.7kg (5.95lb)
Dimension	214 x 138.9 x 72 mm
Package Dimension (W x D x H)	305 x 205 x 230 mm
Certifications	CE: EN 60601-1-2:2015(V4.0), EN 60601-1:2006/ A1:2013/A12:2014 (V3.1) FCC: Part 18 Class B, Part 15 Class B, UL: ANSI/AAMI ES60601-1:2012 (V3.1) cUL: CAN/CSA-C22.2 No. 60601-1:2014 (V3.1)

## Intel Bay Trail SoC Embedded Platform for HIT

## Dimension / Unit: mm



## Ordering Information

## » MEDPC-2000-A1-1010

Emb. Sys., J1900 2.42GHz, DC 12V, 2GB RAM, 2 LAN, 1 USB 3.0, 3 USB 2.0, 1 VGA, 1HDMI, 2 COM

## Optional Accessories

## » 1757306039

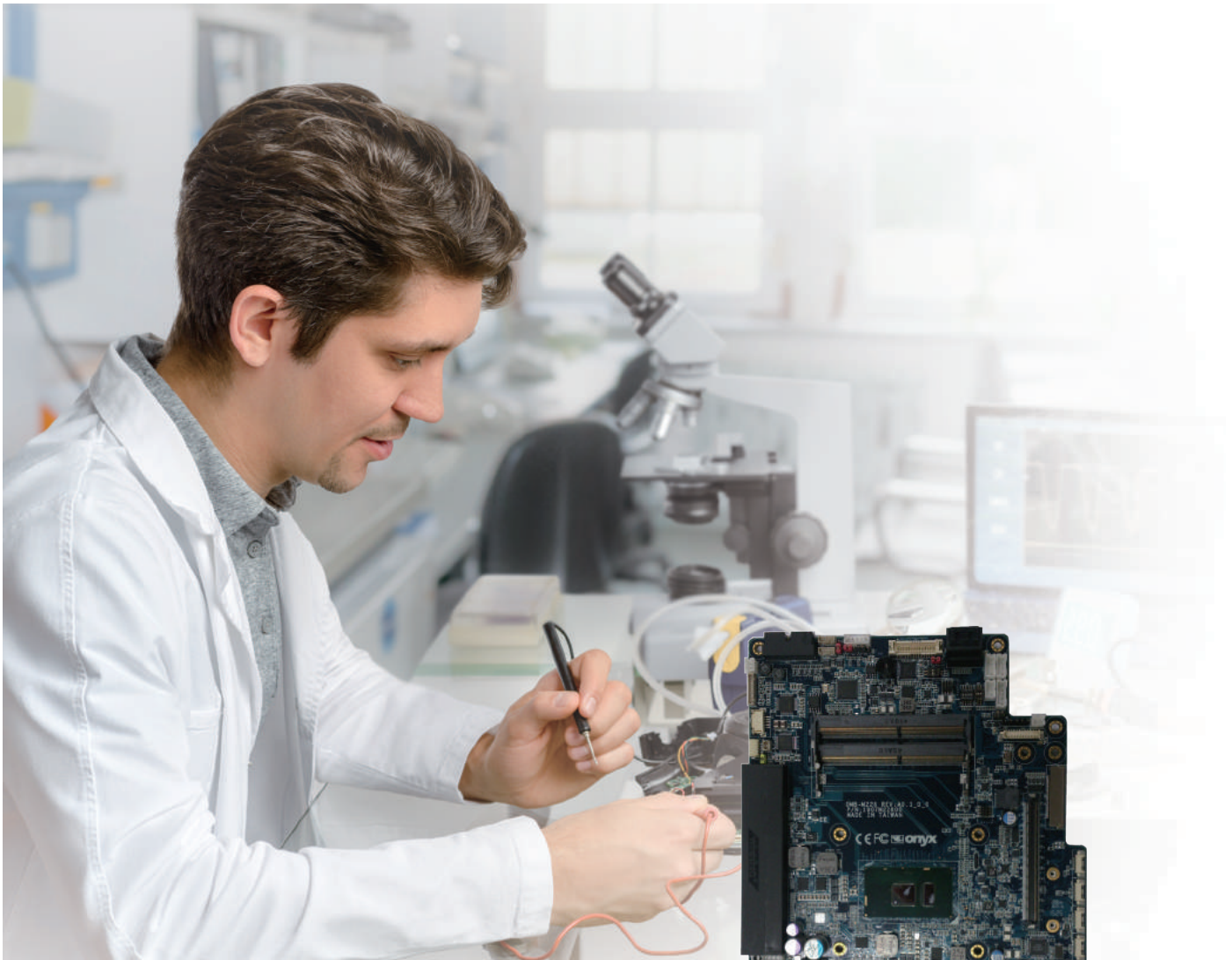
Medical Power Adaptor.100 ~ 240V.12V.5A.60W.DC.W/ Lock.Adapter.ATM065-P120(w/core)

## » OPM-C16W-A7

WLAN Kit.Atheros AR1111.802.11b/g/n+BT 4.0.Mini Card.dual white ext. antenna.for MEDPC-2000

# Medical Slim Mini-ITX MB for OEM/ODM

Medical Slim Mini-ITX MB is a ideal solution for medical computer or instrument. EMI prescan is done to guarantee EN 60601-1-2 compliance. Onyx provides the latest ultra low power and high performance Intel platform to minimize the effort in cpu cooler design and .



## Key Features

- » » Intel Ultra Low Power Processor
- » » Dual Independent Display: LVDS, DP
- » » Dual PCI Express Slots
- » » Wide Range DC Power Input
- » » Medical Grade EN 60601-1-2 Compliance

Medical Slim Motherboard for OEM/ODM

# OMB-M228

Skylake Medical Mini ITX Motherboard



## Features

- Intel® 6th Generation Skylake-U Core i Series 14nm Processor
- Supports DDR4 SODIMM x2, up to 16GB
- Supports 4K x 2K High Resolution Display
- High speed USB 3.1 x2, USB 3.0 x4
- PCI Express[x4] x1, PCI Express[x1] , PCI x1, M.2 slot x1, Half Size Mini Card slot x1
- +12 to +24V Wide Range DC Input
- Low profile form factor for all-in-one terminal and 1U chassis.
- Medical grade UL/EN-60601 pre-certified with low EMI radiation
- 7 years life cycle guarantee until year 2022



## Specifications

### System

Processor	Intel® 6th Generation Core i Series 14nm Processor
System Memory	DDR4 SoDIMM x2, Max. 32GB
Graphics	Intel® HD Graphics
Embedded Controller	ITE IT8528
Ethernet	Intel® Jacksonville Gigabit(with iAMT) x1, Intel® i219 Gigabit 1 x1
Audio	Realtek ALC892 HD Audio Codec
Expansion Interface	PCIe[x4] x1, PCIe[x1] or PCI x1, Half Size Mini Card x1, M.2 x1
Trusted Platform Module	TPM 1.2, Infineon SLB 9660
BIOS	AMI
OS Support	Windows 7 32/6-bit, Windows 8 32/64-bit, Windows 10 32/64-bit, Linux
Power Requirement	+12V to +24V DC
Power Consumption	TBD
Board Size	160mm x 209mm
Operating Temperature	0°C ~60°C

### Display

Video Out	LVDS x1, Display Port x2
LVDS	Up to 1920 x 1200 resolution, 18/24-bit dual channel
Display Port	Up to 3840 x 2160 resolution

### I/O

Storage	SATA 6.0Gb/s x2
USB	USB 3.1 x2, USB 3.0 x4, USB 2.0 x6
Audio	Line-out , Mic
Touch Screen	Supports 5-wire resistive touch screen
LAN	Gigabit Ethernet
Speaker	5W x2
Power Input	Screw Lock DC Jack

## Headquarter

### Onyx Healthcare Inc.

2F., No.135, Ln. 235, Baoqiao Rd.,  
Xindian Dist., New Taipei City 231,  
Taiwan (R.O.C.)  
TEL: +886-2-8919-2188  
FAX: +886-2-8919-1699  
E-mail: sales@onyx-healthcare.com  
http://www.onyx-healthcare.com

## Worldwide Offices

### America

#### USA

Onyx Healthcare, USA Inc.  
324W. Blueridge Ave. Orange, CA 92865, USA  
TEL: +1-714-792-0774  
FAX: +1-714-792-0481  
E-mail: usasales@onyx-healthcare.com

### Europe

#### Netherlands

Onyx Healthcare EUROPE B.V.  
Primulalaan 42, 5582 GL Waalre,  
The Netherlands  
TEL: +31(0) 499-745600  
E-mail: eusales@onyx-healthcare.com

### Asia & China

#### China

Onyx Healthcare (Shanghai) INC.  
E-mail: cnsales@onyx-healthcare.com

