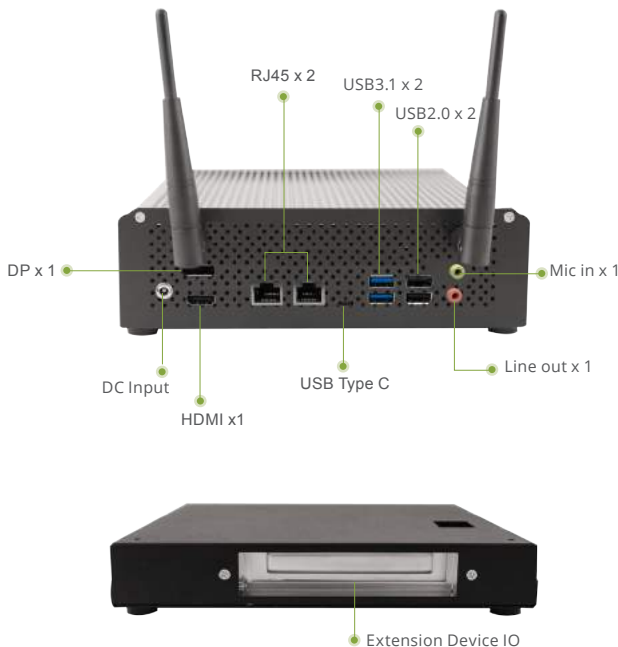
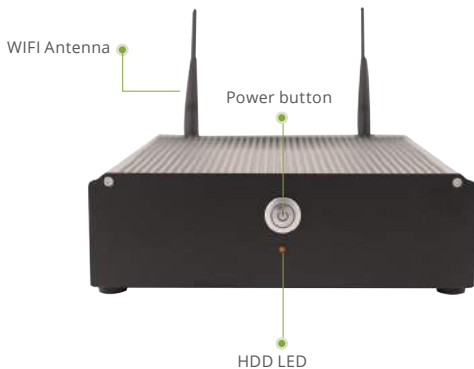


MEDPC Series for Medical Equipment & OEM/ODM

MEDPC-9300

High Performance Medical Grade Box PC with AMD Ryzen™ Embedded V807B/V1605B



Features

- AMD Ryzen Embedded V1807/ V1605B
- Vega GPU with up to 11 / 8 Compute Units
- 1x PCI-E(8x), 1x Mini PCI-E socket, 1x M.2 (M-key)
- Three Independent 4K Display for 1x HDMI, 1x DP , 1x USB type C
- Supports fTPM
- 100V to 240V AC Input
- Modularize Design
- Second layer for extension

Application

- HIS, LIS, RIS
- Pharmaceutical industry
- Biotech Lab
- Signage in hospital
- Equipment control

Specifications

System

Processor	AMD Ryzen™ Embedded V1807B/V1605B Processor on board (FP5 BGA package)
System Memory	DDR4 SoDIMM x2, Max. 32GB (V1807B) DDR4 SoDIMM x2, Max. 24GB (V1605B)
Graphics	Next-gen AMD Vega GPU integrated up to 11 (V1807B) Next-gen AMD Vega GPU integrated up to 8 (V1605B)
Ethernet	2x RJ45
Expansion Interface	1x PCI-E(8x),1x Mini PCI-E,1x M.2 (M-key, type:2230),1x M.2 (E-key, type:2280),
BIOS	AMI
OS Support	Win 10 IoT Enterprise 64-bit / Linux Ubuntu 64-bit

Display

Video Out	1x HDMI (2.0a), 1x DisplayPort (1.4)
Display	Up to 3840 x 2160 resolution, at 60Hz
HDMI	Up to 3840 x 2160 resolution, at 60Hz

I/O

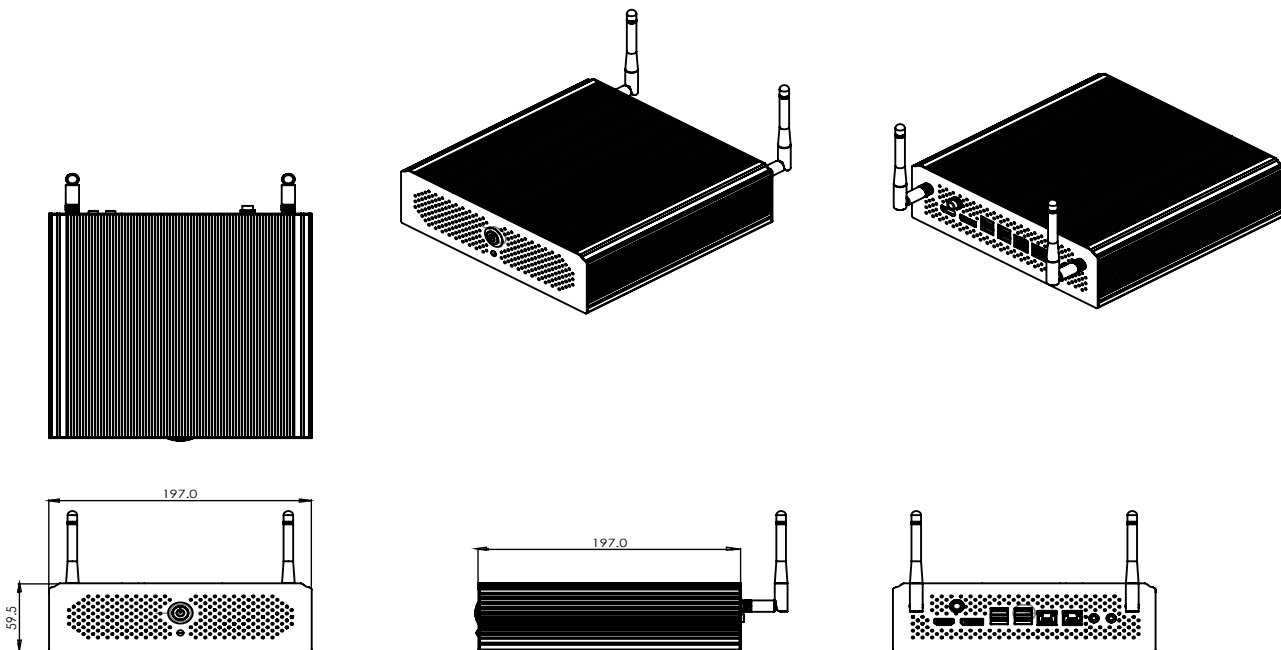
Storage	1x mSATA, 1x M.2
USB	2x USB 3.1 , 2x USB 2.0 , 1xUSB TypeC
Audio	Built-in HD audio w/ALC662 codec for 5.1 channel
LAN	2X RJ 45Gigabit Ethernet
Audio Jack	1 x Line-In, 1 x Line-Out
Power Input	Screw Lock DC Jack

Mechanical and Environmental

Power Requirement	DC12V power input
Operating Temperature	0°C ~ 40°C(32°F ~ 104°F)
Storage Temperature	-20°C ~ 60°C(-4°F ~ 140°F)
Net Weight	2.5 kg in the single layer, 3.7 kg in two layers
Gross weight	3.3 kg in the single layer, 4.0 kg in two layer.
Dimension	197 x 197 x 59.5 mm for main layer 197 x 197 x 44 mm for extension layers
Package Dimension (W x D x H)	300 x 280 x 95 mm

High Performance Medical Grade Box PC with AMD Ryzen™ Embedded V807B/V1605B

Dimension / Unit: mm



Ordering Information

- » MEDPC-9300-N01-A1-0001
MEDPC-9300. AMD Ryzen™ Embedded V1807B.
- » MEDPC-9300-N01-A2-0001
MEDPC-9300. AMD Ryzen™ Embedded V1605B.

Optional Accessories

- » 1255301205
(AOH)(TF)Medical Power Adaptor.AC/DC.100-240V.12V.10A.120W.W/4P DIN.EDAC.EM11011H
- » OPM-C10W-A6
WLAN Kit.Intel 8265.802.11ac/a/b/g/n.BT 4.2.with dual band antenna.MEDPC-9000 series
- » M93-SEC-A1
MEDPC-9300.extension area.