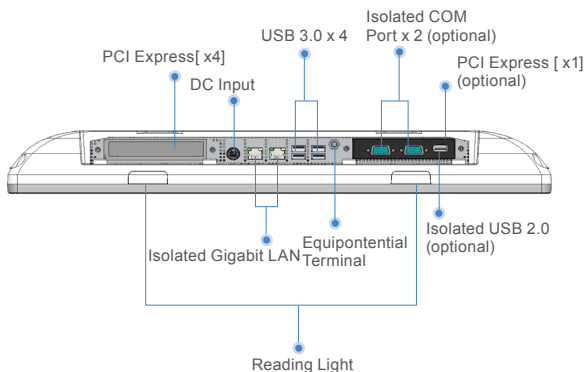
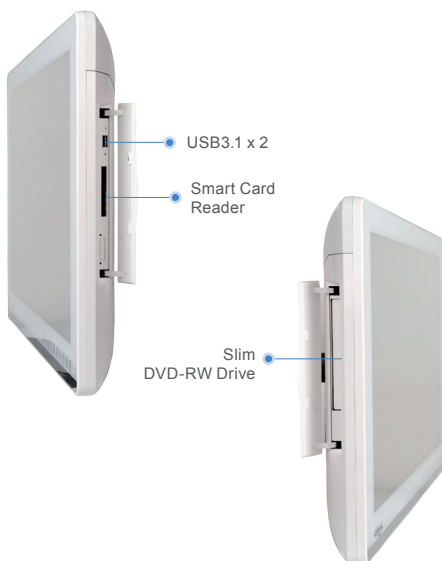
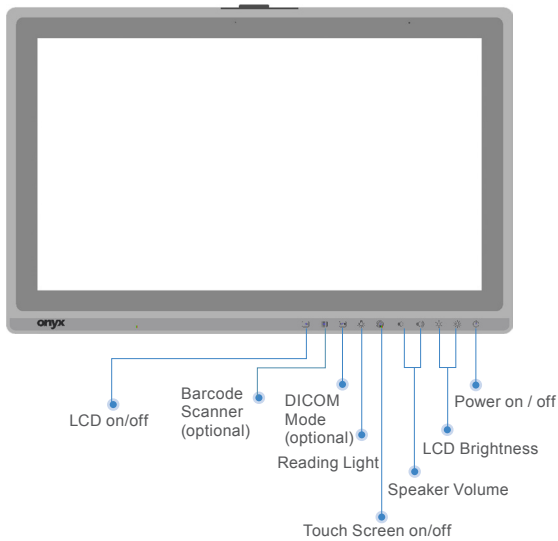


Surgical and Server Level Workstation

ZEUS-228

22" Fanless Smart View 6th Generation Core i7 Multi-Touch Medical Station



Features

- Intel® 6th Generation Core™ i7-6600U 3.4GHz Dual Core Processor
- 22" 250nits Full HD High Contrast MVA LCD
- Support DDR4 SODIMM up to 32GB
- Capacitive Multi-Touch Screen / 5 Wire Resistive Touch Screen
- Easy Cleaning Flat Screen
- 10 Programmable Smart Function Keys with Dual Colors LED Status Indication
- LAN /USB (optional)/COM(optional) Medical Isolation
- Super Speed 10Gb/s USB 3.1 Port
- PCI Express[x4] x 1, PCI Express[x1] , PCI x1(optional)
- Trusted Platform Module/Smart Card Reader(optional)/RFID Reader(optional)
- Remote Management : Inte Active management Technology
- +12V to +24V Wide Range DC Input
- 22Wh Backup Battery (optional)

Specifications

Main Specifications

Processor	Intel® 6th Generation Core i7-6600U 3.4GHz Dual Core
System Memory	DDR4 SODIMM up to 32GB
Expansion	PCI Express[x4] x 1, PCI Express[x1] , PCI x1(optional)
Storage Disk Drive	2.5" SATA Hard Disk Drive/SSD x 1 Slim DVD-RW Drive x 1(optional) M.2 SSD x 1
Security	Trusted Platform Module, Smart Card reader(optional), RFID(optional)
Wireless Communication	802.11a/b/g/n/ac(optional), Bluetooth 4.0 (optional)
Speaker	5W x 2
Function Key	Speaker Volume Up/Down, LCD Brightness Up/Down, LCD On/Off, Touch Screen On/Off, DICOM Mode(optional), Reading Light On/Off
Power Requirement	DC12~24V, 22Wh Back up battery(optional)
OS Support	Windows® 7, Windows® 8.1, Windows® 10, Linux®

Display

Size	22" LCD
Resolution	1920 x 1080
Luminance	250 nits
View Angle	178°(H)/178°(V)
Contrast Ratio	3000:1
Back Light Life Time	30,000 Hours
Touch Screen	Capacitive Multi-Touch/5-Wire Resistive

I/O

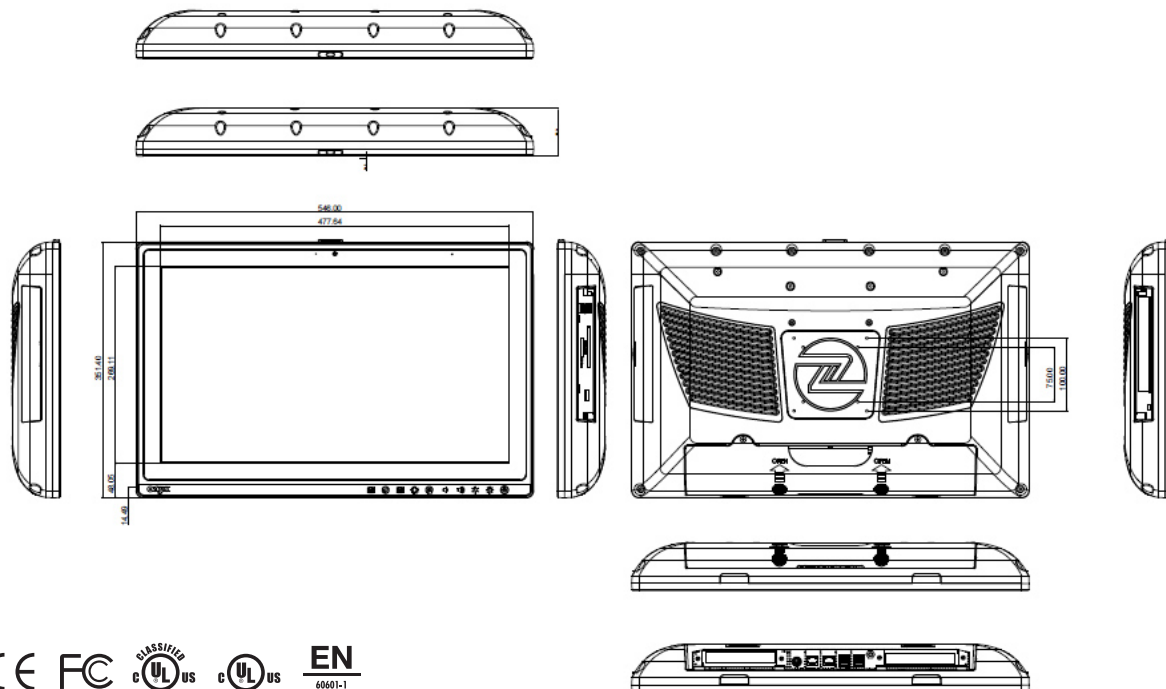
USB	USB 3.0 x 4, USB 3.1 x 2(side I/O) Isolated USB 2.0(optional)
Serial Port	Isolated RS-232 x 2(optional)
Ethernet	Isolated Gigabit LAN x 2
Video Out	Display Port x 2 (optional)

Mechanical and Environmental

Power Consumption	Full Loading: 55 Watts
Operating Temperature	0°C ~ 40°C(32°F ~ 104°F)
Storage Temperature	-20°C ~ 60°C(-4°F ~ 140°F)
Mounting	VESA 75/100 mm
Degree of Protection	IP65 in the front, IP54 in the back
Net Weight	8kg (17.6lb)
Package Dimension (W x D x H)	750 x 220 x 490mm
Certifications	CE: EN 60601-1-2:2015(V4.0), EN 60601-1:2006/A1:2013(V3.1) FCC: Part 18 Class B UL: ANSI/AAMI ES60601-1:2012 (V3.1) cUL: CAN/CSA-C22.2 No. 60601-1:2014 (V3.1)

22" Fanless Smart View 6th Generation Core i7 Multi-Touch Medical Station

Dimension / Unit: mm



Ordering Information

- | | |
|--|---|
| » ZEUS-228ST-A1-1010
Medical Station.i7-6600U.4GB RAM.22" LCD.12~24V.Capacitive Touch | » ZEUS-228ET-A1-1010
Medical Station.i7-6600U.4GB RAM.22" LCD.12~24V.Resistive Touch |
| » ZEUS-228ST-A2-1010
Medical Station.i5-6300U.4GB RAM.22" LCD.12~24V.Capacitive Touch | » ZEUS-228ET-A2-1010
Medical Station.i5-6300U.4GB RAM.22" LCD.12~24V.Resistive Touch |
| » ZEUS-228ST-A3-1010
Medical Station.i3-6100U.4GB RAM.22" LCD.12~24V.Capacitive Touch | » ZEUS-228ET-A3-1010
Medical Station.i3-6100U.4GB RAM.22" LCD.12~24V.Resistive Touch |

Optional Accessories

- | | |
|---|--|
| » 1255301202
Medical Power Adapter, 120W, 24V | » OPM-V03B-A2
One Display Port Kit |
| » OPM-C16W-A6
Mini Card WLAN Kit, IEEE 802.11a/b/g/n + Bluetooth 4.0 | » OPM-T017-A1
Hot Swap Rack w/Lock Kit for 2.5" HDD/SSD |
| » OPM-T003-A4
Slim Slot-in DVD-RW Drive | » OPM-T012-A2
Two RS-232 Kit |
| » OPM-T006-A1
Smart Card Reader Kit | » OPM-V04B-A2
DICOM Kit |
| » OPM-P03C-A4
22Wh Backup Battery | » OPM-R02X-A1
PCI Express [X1] Riser Kit |
| » OPM-C02C-A4
Two Isolated RS-232 PCIe Card | » OPM-R01P-A1
PCI Riser Kit |
| » OPM-C02C-A3
One Isolated USB 2.0 + Two Isolated R-232 PCIe Card | » OPM-U01T-A1
Line-out/Line-in/Mic Kit |
| » OPM-V03B-A1
One Display Port + Two RS-232 Kit | » OPM-S05R-A2
RFID Reader Kit |