

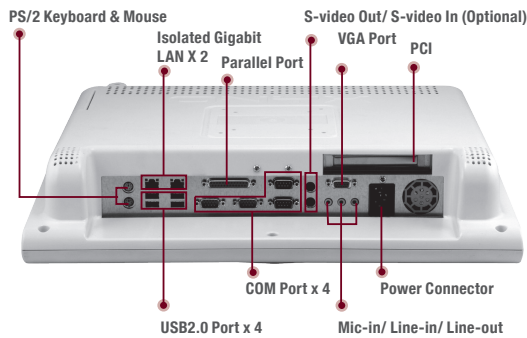
ONYX-175

17" Expert Medical Station



RFID (Optional)

ON Screen Display Control

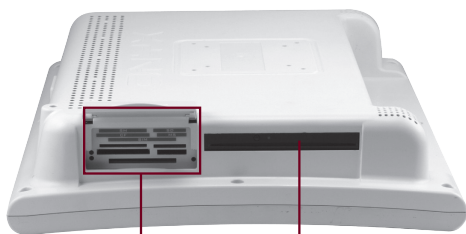


PS/2 Keyboard & Mouse
Isolated Gigabit LAN X 2
Parallel Port
S-video Out/ S-video In (Optional)
VGA Port
PCI
COM Port x 4
Power Connector
USB2.0 Port x 4
Mic-in/ Line-in/ Line-out



Top USB2.0

WLAN (Optional)



8 in 1 Card Reader
Smart Card Reader
(Optional)

Slim CD-ROM/ DVD-ROM (Optional)

Features



- High Performance Intel® Core™ 2 Duo Processor
- 17" True Color Diagnostic Medical PC
- Built-In Security RFID and Smart Card (Optional)
- Supports PCI Expansion
- Mini-PCI Capture Card Supports Non-DICOM To DICOM CAM(Optional)
- 802.11a/b/g/n Wireless Solution (Optional)



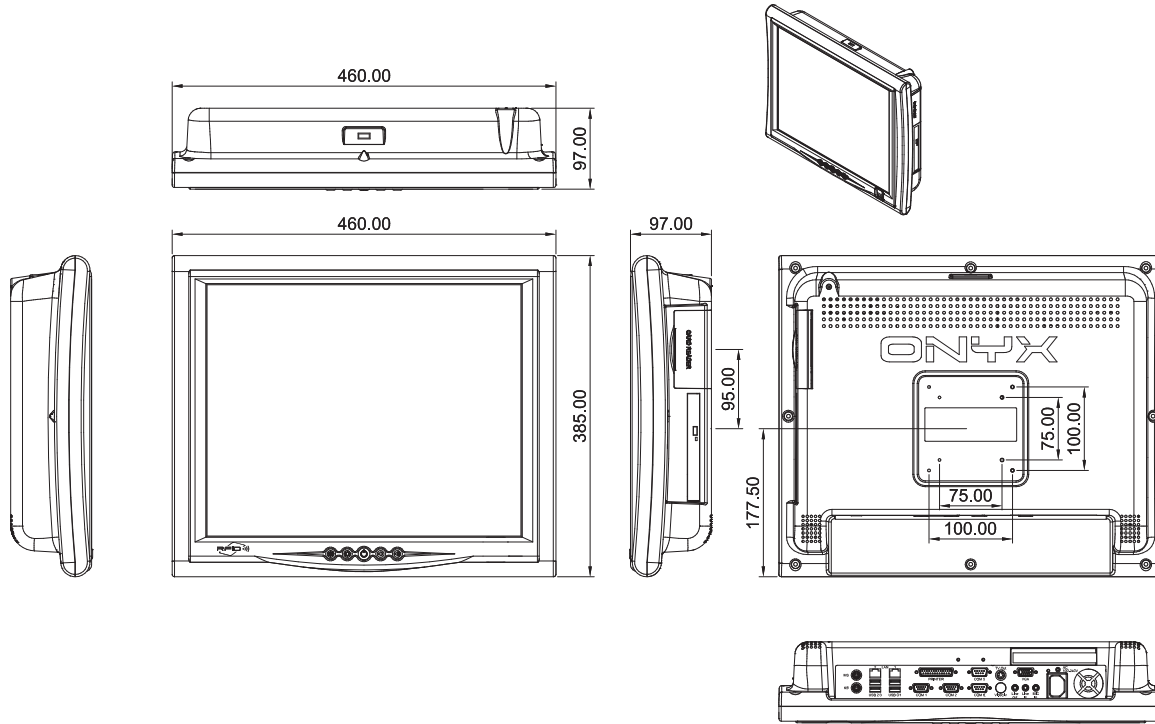
Specifications

Main Specifications	
Processor	Intel® Core™ 2 Duo Processor (up to 2.16 GHz)
System Memory	supports DDRII 400/533/667 up to 2 GB (optional)
Chipset	Intel®945 GME
OS Support	Windows® XP, XP Pro, XPE, WES, WES 7, Windows® 7
Expansion	PCI x 1, Mini-PCI x 1, Mini Card x 1
Storage Disk Drive	Slim DVD/CD x 1 (optional), 2.5" SATA Hard Disk Drive x 1 (optional), 8-in-1 Card Reader x 1, Smart Card Reader x 1 (optional)
Display	
Size	17"
Resolution	1280 x 1024
Max. Colors	16.7M
Luminance	380 nits
Contrast Ratio	1000 : 1
View Angle	170°(H)/170°(V)
Back Light MTBF (Hours)	50,000 Hours
Touch Screen	5-wire resistive/ 35 Million activities
I/O	
Audio	MIC-in, Line-in, Line-out
USB	External x 5, Internal x 3
Serial port	RS-232 x 3, RS-232/422/485 x 1
Ethernet	Isolated Gigabit LAN X 2
Parallel port	Printer port x 1
Keyboard & Mouse	PS/2 keyboard x 1, PS/2 mouse x 1
Video	S-video out x 1/ S-video in (optional) x 1
Speaker	2 W Speaker x 2
Mechanical and Environmental	
Power Requirement	100/240V AC , 180W
Operating Temperature	32°F ~ 104°F (0°C ~ 40°C)
Storage Temperature	-4°F ~ 140°F (-20°C ~ 60°C)
Mounting	VESA 75/100 mm
Net Weight	18.48 lb (8.4 kg)
EMC	CE/FCC Class B, UL 60601-1, EN 60601-2, IEC60601-1-2:2007



Dimension

Unit: mm



Ordering Information

- » TF-ONYX-175HT-A1
Expert Medical Station, Core™ 2 Duo 2.0 GHz (T7200) CPU, 17" True Color LCD, Card Reader
- » TF-ONYX-175HTT-A1
Expert Medical Station, Core™ 2 Duo 2.0 GHz (T7200) CPU, 17" True Color LCD, Card Reader, R-TS
- » TF-ONYX-175HT-A2
Expert Medical Station, Core™ 2 Duo 1.66 GHz (T5500) CPU, 17" True Color LCD, Card Reader
- » TF-ONYX-175HTT-A2
Expert Medical Station, Core™ 2 Duo 1.66 GHz (T5500) CPU, 17" True Color LCD, Card Reader, R-TS
- » TF-ONYX-175HT-F1-1010
Expert Medical Station, Core™ 2 Duo 2.0 GHz (T7200) CPU with RFID, 17" True Color LCD
- » TF-ONYX-175HTT-F1-1010
Expert Medical Station, Core™ 2 Duo 2.0 GHz (T7200) CPU with RFID, 17" True Color LCD, R-TS
- » TF-ONYX-175HT-A3
Expert Medical Station, Core™ 2 Duo 2.0 GHz (T7200) CPU with RFID, 17" True Color LCD, Cool gray 1C enclosure
- » TF-ONYX-175HTT-A3
Expert Medical Station, Core™ 2 Duo 2.0 GHz (T7200) CPU with RFID, 17" True Color LCD, Cool gray 1C enclosure, R-TS

Optional Accessories

- » TF-PER-M01
Bluetooth 2.0 + EDR USB Module
- » TF-PER-M08
Barcode Scanner, 500 Scans Per Second
- » TF-PER-M61
SATA Slim Auto Insertion DVD+/-RW, White Color
- » PER-M20
Desktop Stand with VESA 75/100, Cool Gray 3C
- » TF-PER-M21
Smart Card Reader Kit
- » TF-PER-M29
Mini-PCI Capture Card
- » TF-PER-M71
Mini-PCI WLAN 802.11 b/g Module
- » TF-PER-M75
Mini-PCI WLAN 802.11 a/b/g/n Module
- » TF-PER-M79
Mini Card WLAN 802.11 b/g/n Module