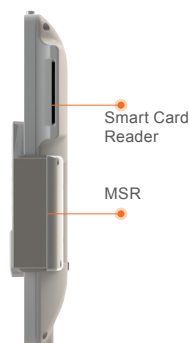
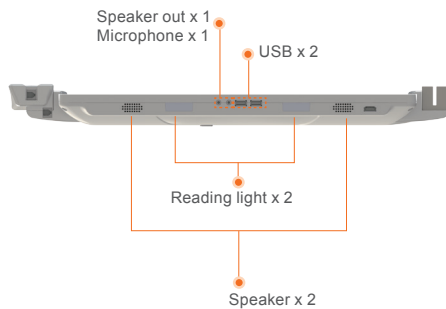
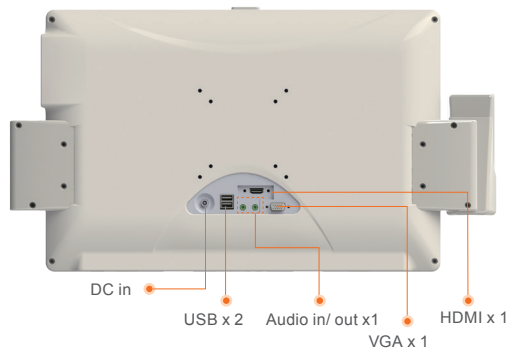
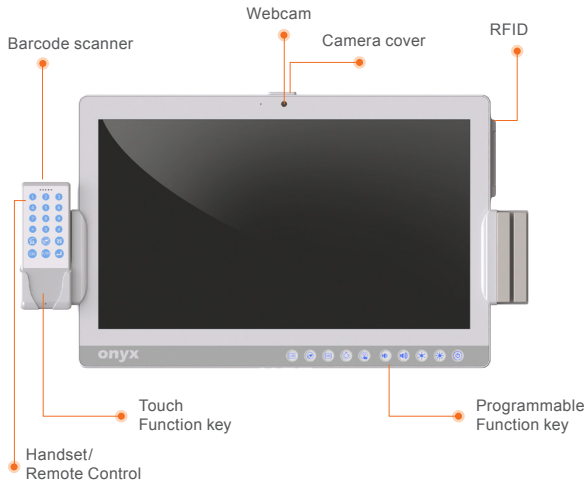


ONYX-BE381

18.5" Bedside Infotainment Touch Monitor



Features

- HD video quality with HDMI input
- 18.5 Wide Color TFT LCD Touch Monitor Light Weight
- PCT Touch for supporting Multi-Touch
- USB interface to host computer
- Light Weight at 3.2kg
- Wire Remote Control w/ handset Function
- VOIP Phone, Web Camera, High Quality Speakers, MSR
- Smart Card Reader / MSR
- Reading Light
- Alarm LED controlled thru USB
- Extension Features: RFID, Smart Card Reader, Barcode scanner
- EN60601-1 / UL 60601-1

Specifications

Main Specifications

Size	18.5" (16:9) Color TFT LCD
Resolution	1366 x 768
Max. Colors	16.7M
Luminance	300 nits
View Angle	170(H)/160(U)
Contrast Ratio	1000:1
MTBF	30,000 Hours
Touch Screen	Projected Capacitive Touch / 5-Wire Resistive Touch

I/O

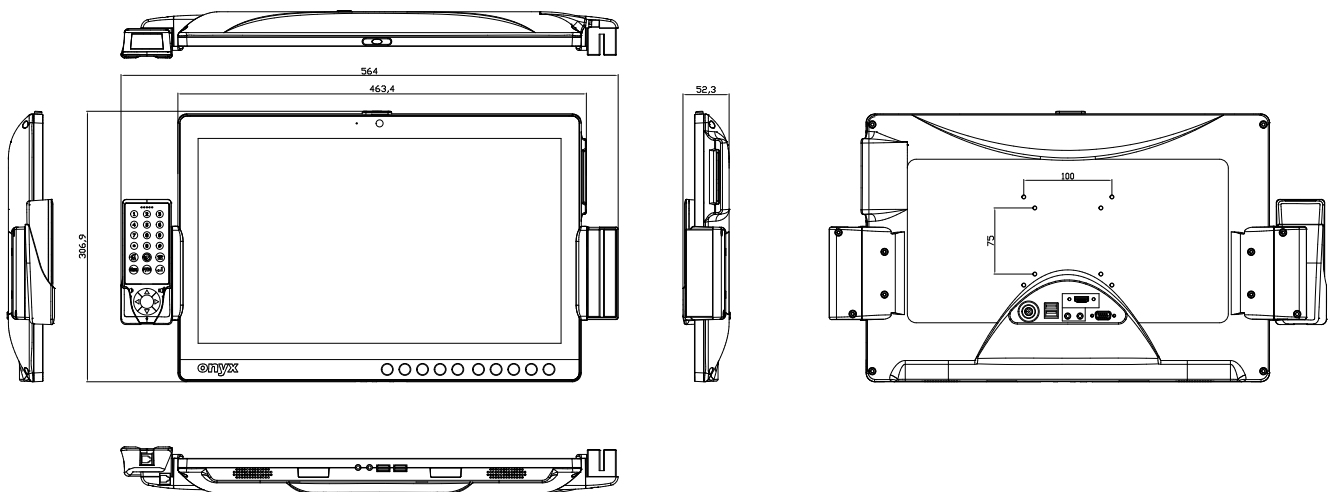
Front USB	2 x External USB2.0 on bottom I/O
Rear USB	2 x Rear USB2.0 for connecting Host computer
Video in	HDMI / VGA x 1
Front Audio	Speaker out x 1 and Microphone-in x1
Rear Audio	Audio-in x 1 and Microphone-in x1
Speaker	2 x 3W High Quality Speakers
Extension	1D / 2D Barcode Scanner VOIP Phone w/ wire remote control Web Camera MSR RFID Smart Card Reader

Mechanical and Environmental

Power Consumption	Full Loading: 18Watts
Infection Control	Anti-Bacteria (optional)
Power Requirement	DC 12V ~24V
Operating Temperature	0°C ~ 40°C(32°F ~ 104°F)
Storage Temperature	-20°C ~ 60°C(-4°F ~ 140°F)
Mounting	VESA 75/100 mm
Degree of protection	Front Panel: IP65; Whole Unit: IPX1
Net Weight	3.2kg (7.05lb) (w/packing)
Gross weight	6.8kg (14.99lb) (w/packing)
Package Dimension (W x D x H)	721 x 224 x 464 mm
EMC	CE/ FCC Class B, UL60601-1, EN60601-1

18.5" Bedside Infotainment Touch Monitor

Dimension / Unit: mm



Ordering Information

- » ONYX-BE381DT-A1-1010
18.5" Infotainment Touch Monitor, HDMI Input, Resistive Touch, Reading Light, Web Camera, Smart Card Reader
- » ONYX-BE381DT-F1-1010
18.5" Infotainment Touch Monitor, HDMI Input, Reading Light, Resistive Touch, Web Camera, Smart Card Reader, RFID
- » ONYX-BE381DT-A2-1010
18.5" Infotainment Touch Monitor, HDMI Input, PCT, Reading Light, Web Camera, Smart Card Reader
- » ONYX-BE381DT-F2-1010
18.5" Infotainment Touch Monitor, HDMI Input, PCT, Reading Light, Web Camera, Smart Card Reader, RFID

Optional Accessories

- » TF-PER-M97
70W Medical Grade 3rd Edition, 110/240VAC input, 24V Output, 1.8 meter cable length
- » OPM-H04A
ARM, Wall Mount, VESA 75/100, 1~7kg
- » OPM-T009-A1
Handset and Wire Remote Control
- » OPM-T009-A2
Handset and Wire Remote Control + 2D Barcode Scanner
- » OPM-S02C-A1
MSR for BE381
- » OPM-H13A-A1
Bedside Wall Mount Long Arm, 1~6kg, VESA 75/100
- » OPM-H15A-A1
Easi Ceiling Mount Swivel Arm, 1~6kg, VESA 75/100