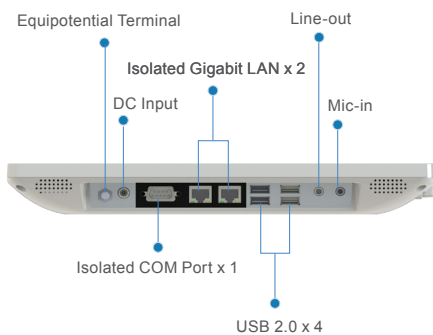
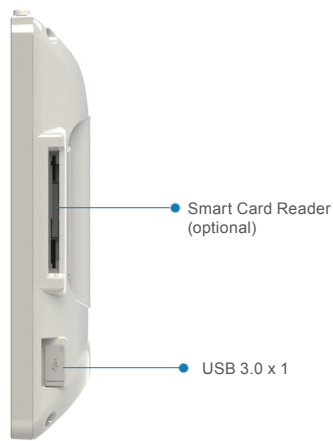
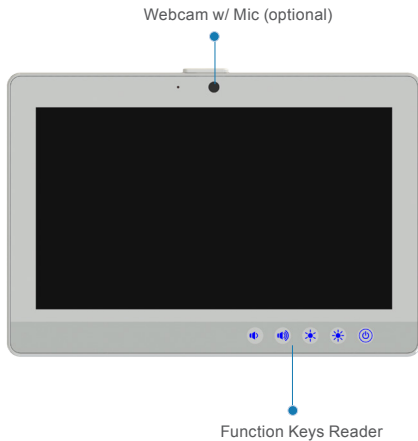


Fanless Slim Panel HIT Solution

ONYX-1222

11.6" Fanless J1900 Quad Core Slim Medical Panel PC



Features

- Intel® Celeron J1900 2.42GHz Quad Core Processor
- 11.6" 220-nit WXGA LCD
- Supports DDR3 SODIMM up to 8GB
- 5-wire Resistive Touch Screen / Capacitive Multi-Touch Screen
- Easy Cleaning Flat Screen
- 5 Programmable Smart Function Keys
- COM/LAN Medical Isolation
- High Speed USB 3.0 Port
- 2.0M Pixels Camera with Mic (optional)
- Handset w/2D Barcode Scanner (optional)
- Trusted Platform Module / Smart Card Reader(optional) / MSR(optional) / RFID Reader (optional)
- +12V to +24V wide range DC input / Power over Ethernet

Specifications

Main Specifications

Processor	Intel® Celeron J1900 Quad Core 2.42GHz
System Memory	Supports DDR3 SODIMM up to 8GB
Expansion Interface	Mini Card x 1
Storage Disk Drive	2.5" SATA Hard Disk Drive/SSD x 1, mSATA SSD x 1
Security	Trusted Platform Module, Smart Card Reader (optional), MSR (optional), RFID Reader (optional)
Wireless Communication	802.11a/b/g/n(optional), Bluetooth 4.0 (optional)
Speaker	2W x 2
Function Key	Speaker Volume Up/Down, LCD Brightness Up/Down
Power Requirement	DC 12~24V / Power over Ethernet
OS Support	Windows 7, Window 8.1, Window 10, Linux

Display

Size / Type	11.6" LCD
Max. Resolution	1366 x 768
Luminance(cd/m2)(TYP)	220 nits
Max. Colors	16.7 M
Viewing Angle	170°(H)/170°(V)
Contrast Ratio	800:1
Back Light Life Time	> 15,000 hours
Touch Screen	5-Wire Resistive / Capacitive Multi-Touch

I/O

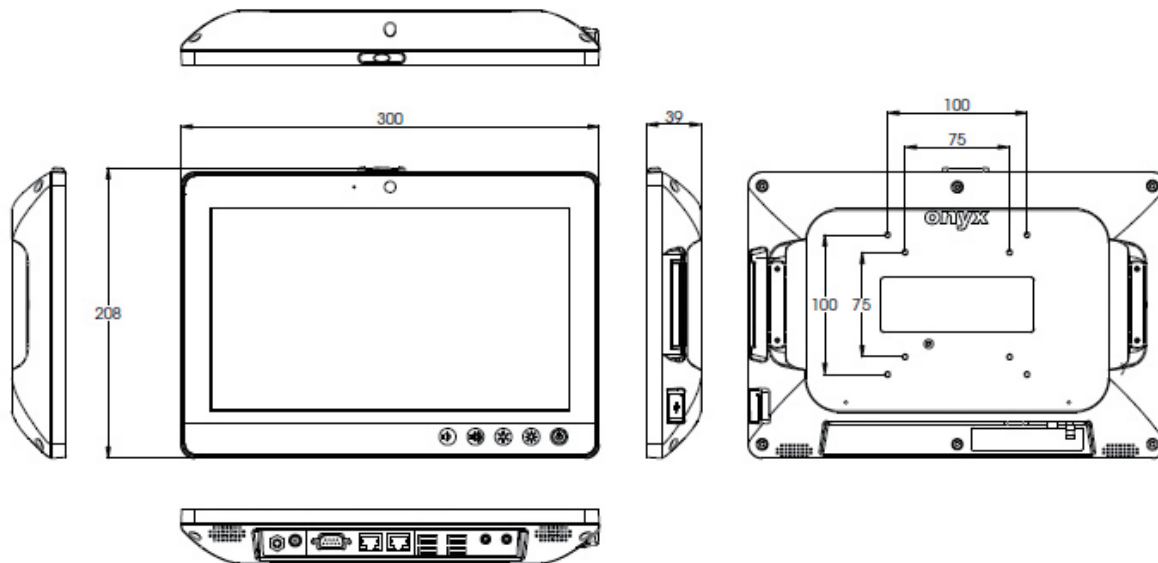
USB	USB 2.0 x 4, USB 3.0 x 1 (in side I/O)
Serial Port	Isolated RS-232 x 1
Ethernet	Isolated Gigabit LAN x 2
Audio	Mic-in, Line-out

Mechanical and Environmental

Power Consumption	Full loading: 22 Watts
Operating Temperature	0°C ~ 40°C(32°F ~ 104°F)
Storage Temperature	-20°C ~ 60°C(-4°F ~ 140°F)
Mounting	VESA 75/100 mm
Degree of Protection	IP65 in the front, IPX1
Net Weight	1.5kg (3.3lb)
Gross Weight	4kg (8.82lb)
Package Dimension (W x D x H)	540 x 230 x 370 mm
Certifications	CE, FCC Class B Passed, 18.cULus Mark/UL+VTC Report+ISO 14971 (CAN/CSA-C22.2No.60601-1-08; ANSI/AAMI ES60601-1:2005, EC 60601-1-1:2005, EN 60601-1:2006 ISO 14971)

11.6" Fanless J1900 Quad Core Slim Medical Panel PC

Dimension / Unit: mm



Ordering Information

- » ONYX-1222ET-A1-1110
Slim Medical Panel PC, 11.6" LCD, Intel Celeron J1900, 2GB RAM, DC 12~24V, Resistive Touch
- » ONYX-1222ST-A1-1110
Slim Medical Panel PC, 11.6" LCD, Intel Celeron J1900, 2GB RAM, DC 12~24V, Capacitive Touch

Optional Accessories

- » 1757306039
Medical Power Adapter, 60W, 12V
- » OPM-T010-A1
Smart Card Reader Kit
- » OPM-S02C-A2
Magnetic Stripe Reader Kit
- » OPM-T011-A1
2M Pixels Camera with Mic Kit
- » OPM-T009-A3
Handset Kit
- » OPM-T009-A4
Handset & 2D Barcode Scanner Kit
- » OPM-C06W-A4
WLAN Kit, IEEE 802.11a/b/g/n + Bluetooth 4.0LE/ 3.0HS / 2.1 EDR
- » OPM-P30D-A10
Power over Ethernet kit