

# Mobile Medical Assistant MD116

## 12" Rugged EMS Tablet



### Features

- Intel® Apollo Lake processor
- Dual hot-swappable batteries for 24/7 operation
- Dual smart card readers for multiple-care workflow
- Standard USB Type-A and RJ45 for easy connection to medical devices
- IP54 certified & 3 feet drop resistant
- ORION client compatible
- Instant vehicle docking system
- Automotive Directive and EN1789 certified for ambulances/ medical transportation vehicles

### Specifications

#### Main Specifications

Processor	Intel® Apollo Lake Processor
System Memory	DDR3L SO-DIMM x1, Default 4 GB (Up to 16 GB)
OS Support	Microsoft® Windows 10
Storage	M.2 Interface x1, Default 64 GB
Wireless Communication	802.11 a/b/g/n + BT4.0 (Optional)
Camera	2 MP (Front) / 5 MP (Rear)
Touchscreen	Projected Capacitive Touchscreen w/Soda Lime Glass or Gorilla Glass
Digital Accelerometer	ADI ADXL345
Ambient Light Sensor	TAOS TSL2581
LTE+GPS	Telit LN930 x 2 (Optional)
Function Keys	x2
LED Indicators	x2
Speaker	3W x1
Internal Mic	x1
Power Requirement	DC 12~19V
Security	Smart Card Reader x2 (Optional), RFID x1 (Optional)

#### Display

Display Size	11.6" 16:9 Widescreen LED Panel
Resolution	FHD 1920 x 1080
Max. Colors	16.7M
Contrast Ratio	800:1
Luminance (cd/m2)	300/600nits (Default); 1000nits (Optional)

#### I/O

USB	USB 3.0 (Type-A) x1, USB 2.0 (Type-A) x1
Ethernet	Gigabit LAN x1
DC-In	DC-In Jack x1
Docking	Docking Connector x1

#### Battery Pack

Battery Type	Polymer
Battery Capacity	32.72Wh x2
Battery Run Time	Approx. 8 hrs

#### Mechanical and Environmental

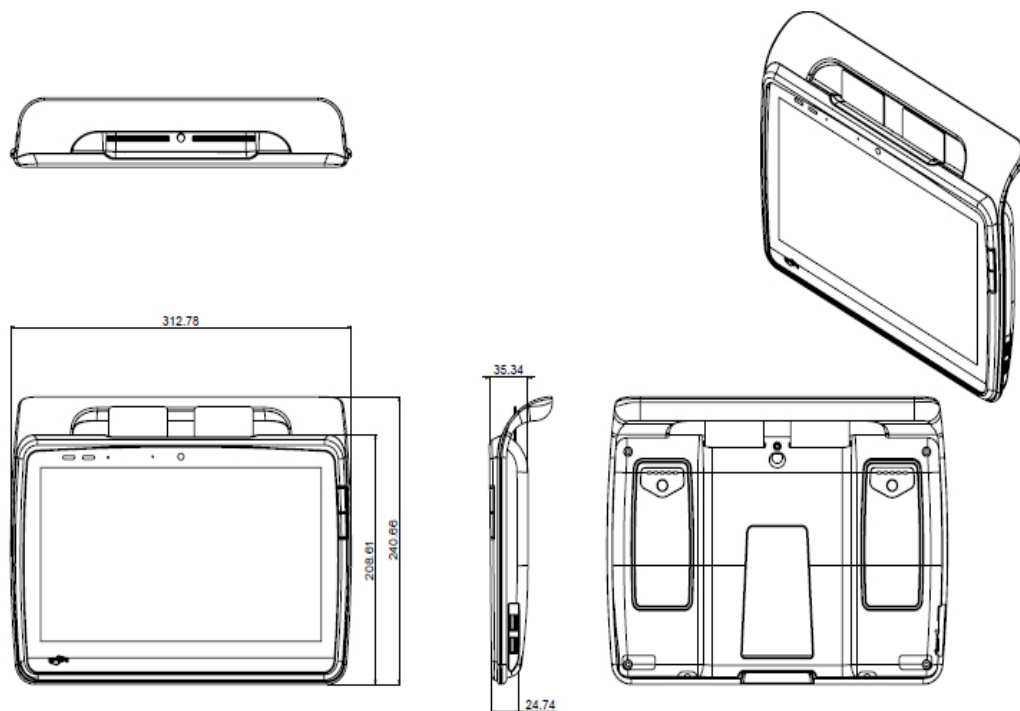
VESA	VESA 75 via docking station
Operating Temperature	-10°C ~ 55°C (14°F ~ 131°F)
Storage Temperature	-20°C ~ 60°C (-4°F ~ 140°F)
Storage Humidity	10%~95%@35°C, non-condensing
Dimensions	312 (W) x 239 (H) x 37 (D) mm
Net Weight	Approx. 1.8 kg
Certification	CE/FCC Class B, UL60601-1, EN60601-1, EN1789, Automotive Directive

#### Docking Station

Power	DC 12~19V
Battery	3300 mAh x2
USB	USB 3.0 (Type-A) x1, USB 2.0 (Type-A) x1
Ethernet	Gigabit LAN x1

## 12" Rugged EMS Tablet

### Dimensions / Unit: mm



### Ordering Information

» ONYX-MD116ST-A1-1010

11.6" FHD 300 nits, Sodalime PCT, Apollo Lake CPU, 4 GB RAM, 64 GB SSD, Dual Camera, Dual SCR, RFID, WiFi/BT, Dual Battery, Power Adapter; no GPS/LTE or OS.

» ONYX-MD116ST-A1-1011

11.6" FHD 600 nits, Gorilla PCT, Apollo Lake CPU, 4 GB RAM, 64 GB SSD, Dual Camera, Dual SCR, RFID, WiFi/BT, Dual Battery, Power Adapter; no GPS/LTE or OS.

» OPM-T016-A1

Vehicle Docking Station for MD116

