

# ONYX-175D

## 17" Fanless Expert Medical Station

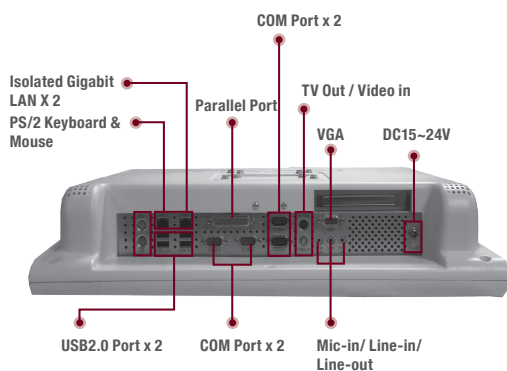


RFID (Optional)

ON Screen Display Control

### Features

- High Performance Intel® Core™ 2 Duo Processor
- 17" True Color Diagnostic Medical PC
- COM Isolation (Optional)
- Built-In Security RFID (Optional)
- Fanless, Zero Noise
- Supports PCI Expansion
- Mini-PCI Capture Card Supports Non-DICOM To DICOM CAM (Optional)
- Touch screen support
- 802.11a/b/g/n And Bluetooth Wireless Solution (Optional)



Isolated Gigabit LAN X 2  
PS/2 Keyboard & Mouse

Parallel Port

COM Port x 2

TV Out / Video in

VGA

DC15~24V

USB2.0 Port x 2

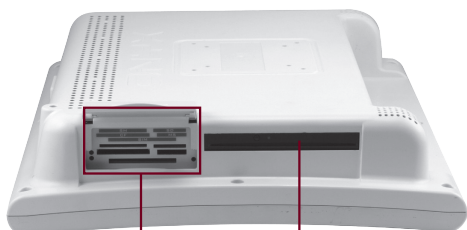
COM Port x 2

Mic-in/ Line-in/  
Line-out



Top USB2.0

WLAN (Optional)



8 in 1 Card Reader  
Smart Card Reader  
(Optional)

Slim CD-ROM/ DVD-ROM (Optional)

### Specifications

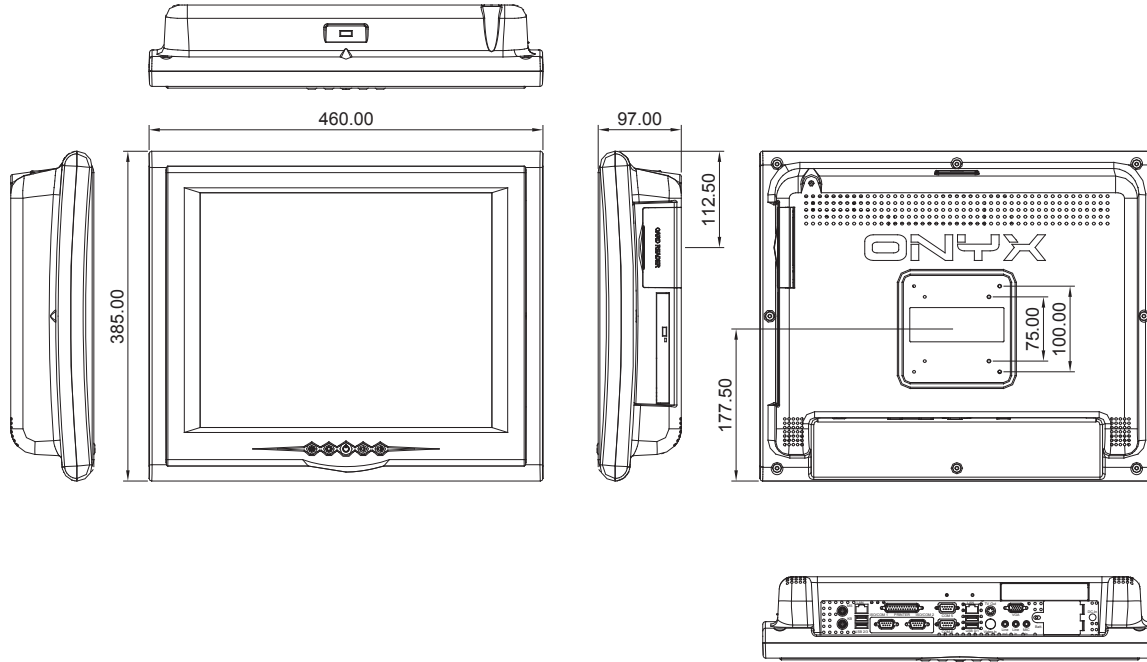
Main Specifications	
<b>Processor</b>	Intel® Core™ 2 Duo Processor (up to 2.16 GHz) -Intel® Core™ 2 Duo Processor 1.06 GHz (Battery Version) -Intel® Core™ 2 Duo Processor 1.5 GHz (Fanless Version)
<b>LCD Controller</b>	Intel®945GME
<b>System Memory</b>	DDR2 SODIMM supports DDR2 400/533/667 up to 2 GB (optional)
<b>Chipset</b>	Intel®945 GME
<b>OS Support</b>	Windows® XP, XP Pro, XPE, WES, WES 7, Windows® 7
<b>Display</b>	17" True color TFT LCD
<b>Expansion</b>	PCI x 1, Mini-PCI x 1, Mini Card x 1
<b>Storage Disk Drive</b>	Slim DVD/CD x 1 (optional), 2.5" SATA Hard Disk Drive x 1 (optional), 8-in-1 Card Reader x 1, Smart Card Reader x 1 (Optional)
Display	
<b>Size</b>	17"
<b>Resolution</b>	1280 x 1024
<b>Max. Colors</b>	16.7M
<b>Luminance</b>	380 nits
<b>View Angle</b>	70°(H)/170°(V)
<b>Contrast Ratio</b>	1000 : 1
<b>Back Light MTBF (Hours)</b>	50,000 Hours
<b>Touch Screen</b>	5-wire resistive / 35 Million activities
I/O	
<b>Audio</b>	MIC-in, Line-in, Line-out
<b>USB</b>	External x 5, Internal x 3
<b>Serial port</b>	RS232 x 3, RS-232 /422/485 x 1 (DT Series) RS232 x 2, Isolated RS-232 (SD Series)
<b>Ethernet</b>	Isolated Gigabit LAN X 2
<b>Keyboard &amp; Mouse</b>	PS/2 keyboard x 1, PS/2 mouse x 1
<b>Video</b>	S-video out x 1/ S-video in (optional) x 1
<b>Speaker</b>	2 W Speaker x 2
Mechanical and Environmental	
<b>Power Requirement</b>	DC9~30V or DC 15V~24V (Battery Version)
<b>Operating Temperature</b>	32°F ~ 104°F (0°C ~ 40°C)
<b>Storage Temperature</b>	-4°F ~ 140°F (-20°C ~ 60°C)
<b>Mounting</b>	VESA 75/100 mm
<b>Net Weight</b>	18.26 lb (8.3 kg)
<b>EMC</b>	CE/FCC Class B, UL 60601-1, EN 60601-2, IEC60601-1-2:2007

\* Note: All specifications are subject to change without notice.



## Dimension

Unit: mm



## Ordering Information

- » TF-ONYX-175DT-U1-1010  
Fanless Expert Medical Station, Core™ 2 Duo 1.06 GHz CPU, 17" True Color LCD, 2 COM, DC, Card Reader
- » TF-ONYX-175DTT-U1-1010  
Fanless Expert Medical Station, Core™ 2 Duo 1.06 GHz CPU, 17" True Color LCD, 2 COM, R-TS, DC, Card Reader
- » TF-ONYX-175DT-U2-1010  
Fanless Expert Medical Station, Core™ 2 Duo 1.5 GHz CPU, 17" True Color LCD, 2 COM, DC, Card Reader
- » TF-ONYX-175DTT-U2-1010  
Fanless Expert Medical Station, Core™ 2 Duo 1.5 GHz CPU, 17" True Color LCD, 2 COM, R-TS, DC, Card Reader
- » TF-ONYX-175DT-F1-1010  
Expert Medical Station, Core™ 2 Duo 2.0 GHz CPU, 17" True Color LCD, DC, RFID, Card Reader
- » TF-ONYX-175DTT-F1-1010  
Expert Medical Station, Core™ 2 Duo 2.0 GHz CPU, 17" True Color LCD, DC, RFID, Card Reader, R-TS
- » TF-ONYX-175SDT-U1-1010  
Fanless Expert Medical Station, Core™ 2 Duo 1.06 GHz CPU, 17" True Color LCD, 2 COM Isolation, R-TS, DC
- » TF-ONYX-175SD-U1-1010  
Fanless Expert Medical Station, Core™ 2 Duo 1.06 GHz CPU, 17" True Color LCD, 2 COM Isolation, DC
- » TF-ONYX-175SDT-U2-1010  
Fanless Expert Medical Station, Core™ 2 Duo 1.5 GHz CPU, 17" True Color LCD, 2 COM Isolation, R-TS, DC
- » TF-ONYX-175SD-U2-1010  
Fanless Expert Medical Station, Core™ 2 Duo 1.5 GHz CPU, 17" True Color LCD, 2 COM Isolation, DC

## Optional Accessories

- » TF-PER-M01  
Bluetooth 2.0 + EDR USB Module
- » TF-PER-M08  
Barcode Scanner, 500 Scans Per Second
- » TF-PER-M61  
SATA Slim Auto Insertion DVD+/-RW, White Color
- » PER-M20  
Desktop Stand with VESA 75/100, Cool Gray 3C
- » TF-PER-M21  
Smart Card Reader Kit
- » TF-PER-M29  
Mini-PCI Capture Card
- » TF-PER-M71  
Mini-PCI WLAN 802.11 b/g Module
- » TF-PER-M75  
Mini-PCI WLAN 802.11 a/b/g/n Module
- » TF-PER-M79  
Mini Card WLAN 802.11 b/g/n Module