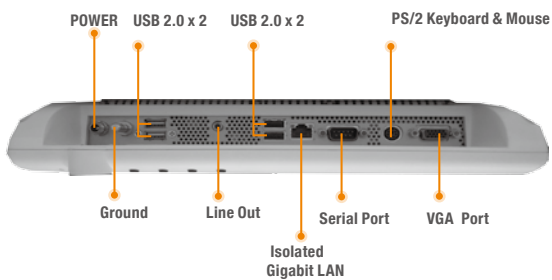


ONYX-122

11.6" LED Panel C2D Fanless Slim Medical Panel PC



Features



- Intel® Core™ 2 Duo ULV Processor
- 11.6" WXGA Color TFT-LCD with LED Backlight Display
- Easy To Use, Compact, Simple Design
- Fanless, Zero Noise
- Resistive Touchscreen (Optional)
- 802.11a/b/g/n Wireless Antenna (Optional)
- CE/FCC Class B, EN/UL60601-1 Medical Certification



Specifications

Main System

Processor	Intel® Core™ 2 Duo ULV 1.06 GHz (U7500)
System Memory	DDRII SODIMM supports DDRII 400/533 up to 2 GB (optional)
Chipset	Intel®945 GME + ICH7M
OS Support	Windows® XP, XP Pro, XPE, WES, WES 7, Windows® 7
Expansion	Mini-PCI x 1
Storage Disk Drive	2.5" SATA Hard Disk Drive x 1, Internal CFD x 1

Display

Size	11.6" LED Panel
Resolution	1366 x 768
Max. Colors	262K
Luminance	200 nits
View Angle	90°(H)/50°(V)
Contrast Ratio	500 : 1
Back Light MTBF (Hours)	15,000 Hours
Touch Screen	4-wire Resistive/ 10 million activities

I/O

Audio	Line out x 1
USB	USB 2.0 x 4
Serial Port	RS-232 x 1
Ethernet	Isolated Gigabit LAN X 1
DVI	VGA x 1
Keyboard & Mouse	PS/2 Keyboard & Mouse x1
Speaker	2W x 2
Ground Protection	DIN 42801

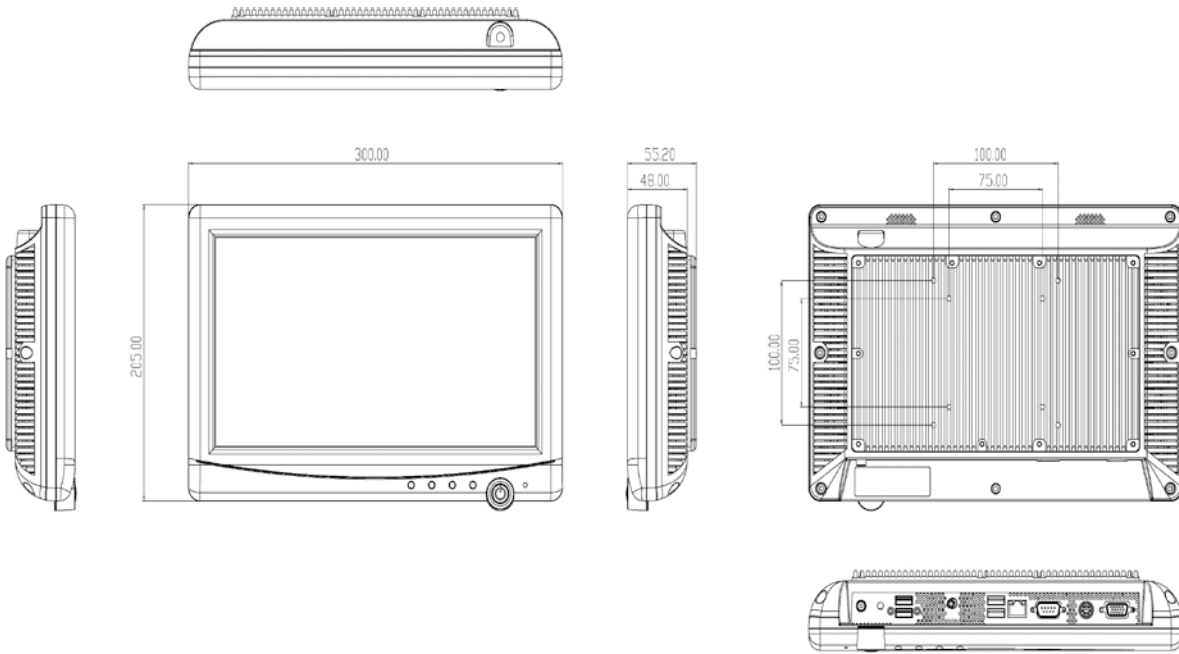
Mechanical and Environmental

Power Requirement	DC 12 V
Operating Temperature	32°F ~ 95°F (0°C ~ 35°C)
Storage Temperature	-4°F ~ 140°F (-20°C ~ 60°C)
Mounting	VESA 75/100 mm
Net Weight	12.32 lb (5.6 kg)
EMC	CE/FCC Class B, UL 60601-1, EN 60601-1



Dimension

Unit: mm



Ordering Information

- » TF-ONYX-122DT-A1-1010
MED Slim PPC, Intel Core™ 2 Duo ULV 1.06 GHz (U7500), 11.6" LCD, 4 USB, DC12V, 2G RAM
- » TF-ONYX-122DTT-A1-1010
MED Slim PPC, Intel Core™ 2 Duo ULV 1.06 GHz (U7500), 11.6" LCD, 4 USB, DC12V, 2G RAM, R-TS

Optional Accessories

- » PER-M18
Desktop Stand with VESA100, Cool Gray 1C
- » TF-PER-M63
WLAN Kit, IEEE 802.11 a/b/g/n
- » PER-M64 (TBC)
Physican Cart, w/o battery
- » PER-M68 (TBC)
Nursing Cart, w/o battery
- » TF-PER-M71
Wireless LAN Kit, 802.11b/g
- » TF-PER-M77
Medical Adapter, 80W, 12V, 40cm Cable
- » Recommended Hard Drive
2.5" 250GB SATA HDD (5400RPM)

