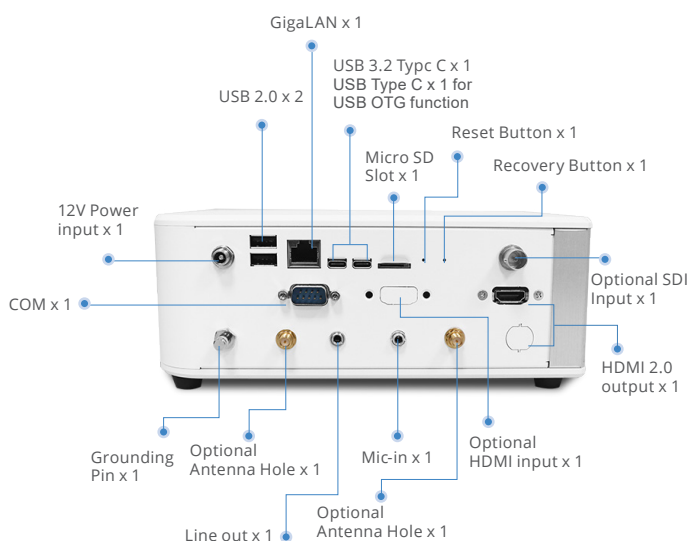


ACCEL-JS1000

NVIDIA Jetson AGX Orin platform for Medical AI imaging application



Features

- NVIDIA Jetson AGX Orin platform with 64GB LPDDR5 or 32GB LPDDR5
- Powerful AI computing performance with up to 275 TOPS
- Support HDMI 2.0 video output
- Compact size suitable for space limited area
- Support 3G SDI or 12G SDI or HDMI video input
- Medical certified with CE/FCC/UL
- Support optional PCIe [x8] x1 for possible customization
- Support built in speaker x 2

Specifications

MAIN SPECIFICATIONS

AI Engine	NVIDIA Jetson AGX Orin
CPU	8-core Arm® Cortex®-A78AE v8.2 64-bit CPU 2MB L2 + 4MB L3 (ACCEL-JS1000-N1) 12-core Arm® Cortex®-A78AE v8.2 64-bit CPU 3MB L2 + 6MB L3(ACCEL-JS1000-N2)
System Memory	32GB or 64GB 256-bit LPDDR5 204.8 GB/s
Graphics	1792-core NVIDIA Ampere GPU with 56 Tensor Cores (ACCEL-JS1000-N1) 2048-core NVIDIA Ampere GPU with 64 Tensor Cores (ACCEL-JS1000-N2)
Storage	64GB eMMC 5.1 , M.2 NVMe Storage (Optional)
OS Support	Linux with Jetpack OS
Security	TPM 2.0
Speaker	2W x Speaer x 2

I/O

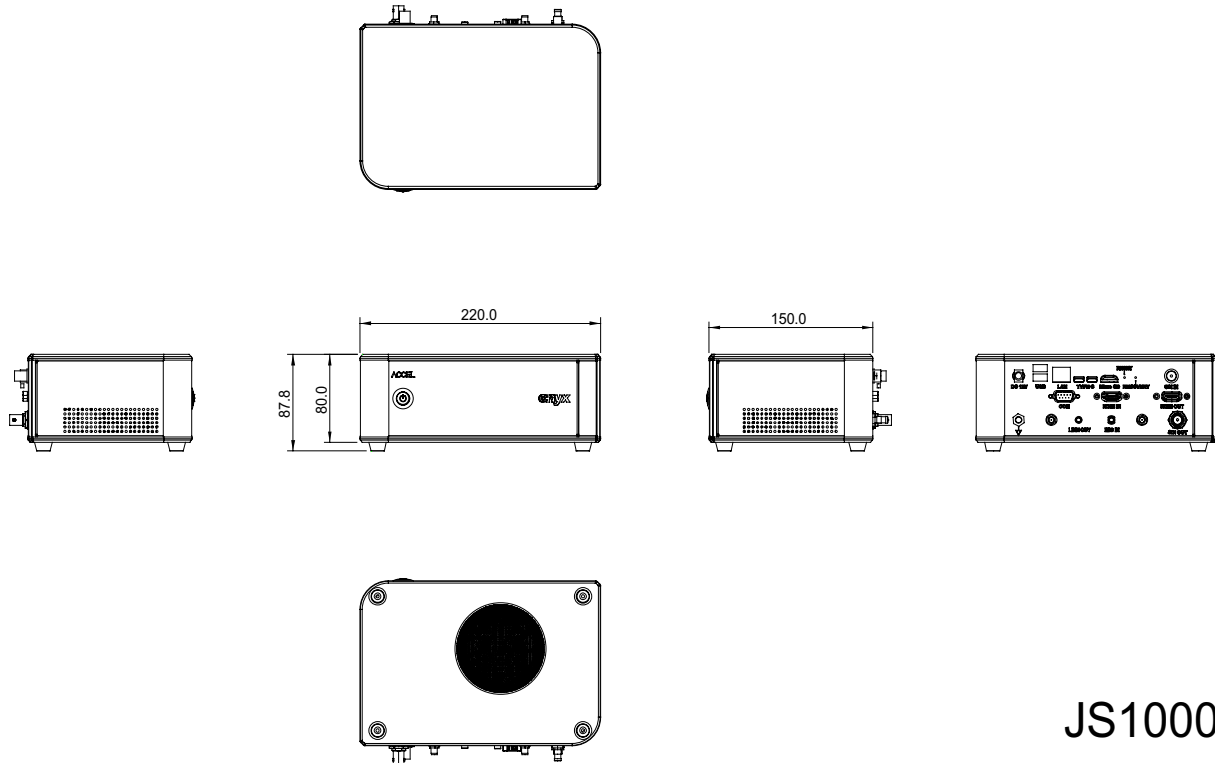
USB	USB Type C x 2 for USB 3.2 ,one only support APX mode USB Type A x 2 for USB 2.0
Ethernet	GigaLAN x 1
Video Out	HDMI 2.0 x 1
Video input	3G SDI or 12G SDI or HDMI 3G SDI(Max resolution up to 1920×1080p@60fps), 12G SDI(Max resolution up to 4096×2160@60fps) HDMI (Max resolution up to 1920×1080p@60fps)
Audio	Mic-in x 1 , Line out x 1
Serial Port	RS232 x 1
Function Port	Reset Button x 1 ,Recovery Button x 1, Grounding pin x 1
DC in	12V DC Jack
Front I/O	Power Button with Power LED indicator x 1
Wireless Communication	802.11a/b/g/n/ac/ax.w/BT5.2 (Optional)
Expansion I/O	PCIe [x8] x 1(Optional)

MECHANICAL AND ENVIRONMENTAL

Power	Medical adapter 12V 120W
Operating temperature	0°C ~ 35°C(32°F ~ 95°F)
Storage temperature	-20°C ~ 60°C(-4°F ~ 140°F)
Dimension	220mm(W) x 87.8mm(H) x 150mm(D)
Package Size	300mm x230mm x210mm
Gross Weight	3.1KG
Net Weight	1.8KG
Certifications	CE: EN 60601-1-2:2015(V4.0), EN 60601-1:2006/A1:2013/A12:2014 (V3.1) FCC: Part 18 Class B UL: ANSI/AAMI ES60601-1:2012 (V3.1) cUL: CAN/CSA-C22.2 No. 60601-1:2014 (V3.1)

NVIDIA Jetson AGX Orin platform for Medical AI imaging application

Dimension / Unit: mm



JS1000

Ordering Information

- **ACCEL-JS1000-N1-A1-0010**
Medical AI Edge.Jetson AGX Orin.Fan.HDMI out.64GB eMMC.32GB DDR5.Jetpack.Speaker.Adapter
- **ACCEL-JS1000-N1-A2-0010**
Medical AI Edge.Jetson AGX Orin.Fan.HDMI out,3G SDI&HDMI input.64GB eMMC.32GB DDR5.Jetpack.Speaker.Adapter
- **ACCEL-JS1000-N1-A3-0010**
Medical AI Edge.Jetson AGX Orin.Fan.HDMI out,12G SDI input.32GB DDR5.64GB eMMC.Jetpack.Speaker.Adapter
- **ACCEL-JS1000-N1-A4-0010**
Medical AI Edge.Jetson AGX Orin.Fan.HDMI out, HDMI 2.0 input.32GB DDR5.64GB eMMC.Jetpack.Speaker.Adapter
- **ACCEL-JS1000-N2-A1-0010**
Medical AI Edge.Jetson AGX Orin.Fan.HDMI out.64GB eMMC.64GB DDR5.Jetpack.Speaker.Adapter
- **ACCEL-JS1000-N2-A2-0010**
Medical AI Edge.Jetson AGX Orin.Fan.HDMI out,3G SDI&HDMI input.64GB eMMC.64GB DDR5.Jetpack.Speaker.Adapter
- **ACCEL-JS1000-N2-A3-0010**
Medical AI Edge.Jetson AGX Orin.Fan.HDMI out,12G SDI input.64GB eMMC.64GB DDR5.Jetpack.Speaker.Adapter
- **ACCEL-JS1000-N2-A4-0010**
Medical AI Edge.Jetson AGX Orin.Fan.HDMI out,HDMI 2.0 input.64GB eMMC.64GB DDR5.Jetpack.Speaker.Adapter

Optional Accessories

- **OPM-C17W-A3**
WLAN Kit.802.11ax.w/BT 5.2.dual ext. antenna.Intel.AX200 for ACCEL-JS1000
- **OPM-T042-A1**
512GB NVMe SSD Kit.for ACCEL-JS1000
- **OPM-T042-A2**
1TB NVMe SSD Kit.for ACCEL-JS1000
- **OPM-T042-A3**
2TB NVMe SSD Kit.for ACCEL-JS1000
- **OPM-T042-A4**
4TB NVMe SSD Kit.for ACCEL-JS1000