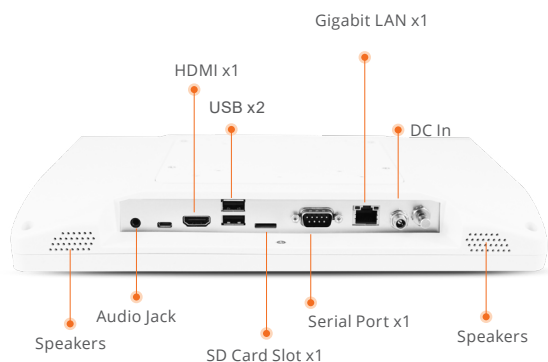


Healthcare Infotainment All In One Computer

ONYX-BE122R

11.6" Fanless Android Bedside Computer



Features

- Rockchip RK3288 Processor
- Android 9.0
- 11.6" Wide Color TFT LCD Touch Terminal
- PCT with Multi-Touch support
- Intuitive Front Access Function Keys
- IP65 Waterproof in front
- Optional VOIP Phone, Webcam and RFID
- EN 60601-1, UL 60601-1

Specifications

MAIN SPECIFICATIONS

Processor	Rockchip RK3288 ARM Cortex-A17 QC 1.6GHz
System Memory	DDR3L 2GB
Expansion Interface	Mini PCIe Slot x 1
Storage Disk Drive	16/64GB eMMC
Wireless Communication	802.11 ac + BT 4.1
Speaker	2W x2
Camera	5 Megapixels
Security	13.56MHz RFID Reader (Optional)
Function Key	Power, Volume Up/Down, Brightness Up/Down,
Power Requirement	DC 12V / Power Over Ethernet
OS Support	Android 9.0

DISPLAY

Size / Type	11.6" (16:9) Color TFT LCD
Max. Resolution	1366 x 768 HD
Luminance(cd/m2)(TYP)	250 nits
Max. Colors	16.7 M
Viewing Angle	90°(H)/60°(V)
Contrast Ratio	500:1
Touch Screen	Projected Capacitive Touch

I/O

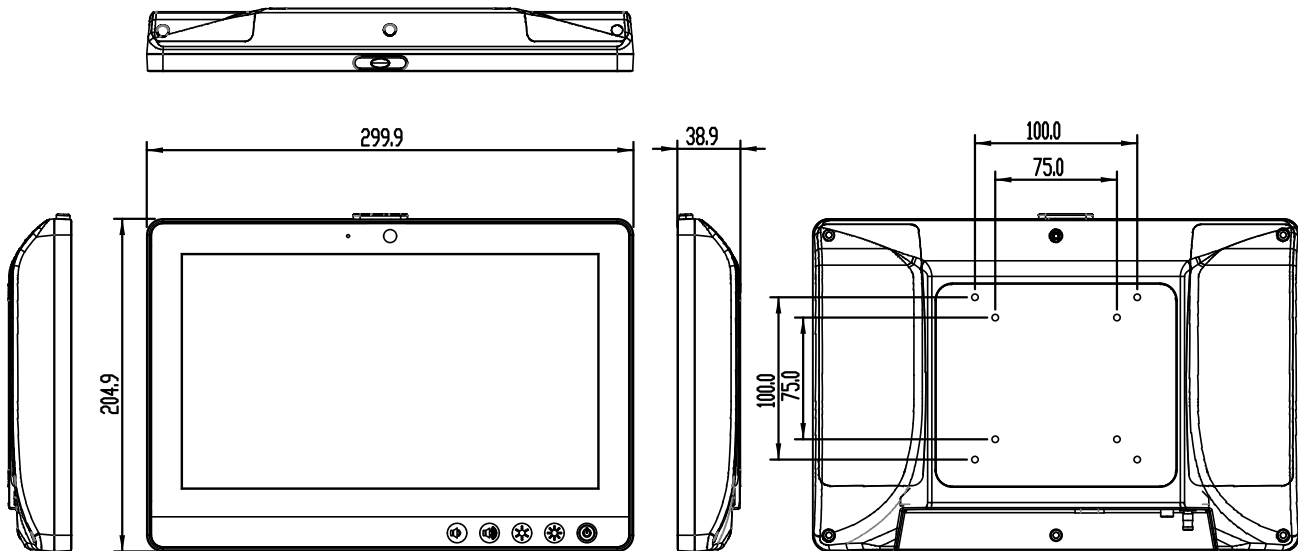
USB	USB 2.0 (Type-A) x2
Serial Port	RS-232 x1 (Optional)
Ethernet	Gigabit LAN x1 (Support Power over Ethernet)
Audio	3.5mm Phone Jack x1
Video	HDMI Out x1
SD Card Slot	Micro SD x1
DC-In	DC-In Jack x1

MECHANICAL AND ENVIRONMENTAL

Infection Control	Anti-Bacteria (Optional)
Operating Temperature	0°C ~ 40°C(32°F ~ 104°F)
Storage Temperature	-20°C ~ 60°C(-4°F ~ 140°F)
Mounting	VESA 75/100 mm
Degree of Protection	Front Panel: IP65, Whole Unit: IPX1
Dimension	299.9 x 2049 x 38.9 mm
Package Size	540 x 230 x 370 mm
Gross Weight	4 kg (8.82lb)
Net Weight	1.5 kg (3.3lb)
Certifications	CE: EN 60601-1-2:2015(V4.0), EN 60601-1:2006/A1:2013(V3.1) FCC: Part 18 Class B UL: ANSI/AAMI ES60601-1:2012 (V3.1) cUL: CAN/CSA-C22.2 No. 60601-1:2014 (V3.1)

11.6" Fanless Android Bedside Computer

Dimension / Unit: mm



Ordering Information

- ONYX-BE122R-P01-A1-0201
RISC Beside Terminal.RK3288.11.6".C-TS.2GB RAM.16GB eMMC.Camera.POE.Android 9.0
- ONYX-BE122R-P01-A1-0202
RISC Beside Terminal.RK3288.11.6".C-TS.2GB RAM.16GB eMMC.POE.Android 9.0

Optional Accessories

- 1757306039
Medical Adapter.60W.12V/5A
- OPM-T018-A1
VoIP Handset w/o keypads