

# Mobile Medical Tablet

## MD116E

### 12" Fanless Intel Pentium Medical Tablet



## Features

- Intel® ELKhart Lake Pentium N6415
- Dual hot-swappable batteries for 24/7 operation
- Dual smart card readers for multiple-care workflow
- Standard USB 3.0 Type-A / Type-C (Data & External Display)
- RJ45 Ethernet for easy connection to medical devices
- IP54 certified & 3 feet drop resistant
- ORION client compatible
- Instant vehicle docking system
- Automotive Directive and EN1789 compliance for ambulances/medical transportation vehicles

## Specifications

### MAIN SPECIFICATIONS

Processor	Intel® ELKhart Lake Pentium N6415 3.0 GHZ
System Memory	DDR4 SO-DIMM x1, Default 4 GB (Up to 16 GB)
OS Support	Microsoft® Windows 10, Windows 11 IOT / Linux ubuntu 20.04 LTS
Storage	M.2 Interface x1, Default 64 GB (up to 1TB), SATA/NVMe
Wireless Communication	802.11 a/b/g/n /AC/AX + BT5.2 (Optional)
Camera	2 MP (Front) / 8 MP (Rear)
Touchscreen	Projected Capacitive Touchscreen, w/Gorilla Glass
Digital Accelerometer	ADI ADXL345
Ambient Light Sensor	TAOS TSL2581
Wi-Fi	Dual Wi-Fi 6 slots
LTE+GPS	Sierra EM7421 x2 (Optional) [5G Sierra EM 9291 Supported]
Function Keys	x2
LED Indicators	x2
Speaker	2W x2
Internal Mic	x1
Power Requirement	DC 12V
Security	Smart Card Reader x2, RFID x1 (optional)

### DISPLAY

Display Size	11.6" 16:9 Widescreen LED Panel
Resolution	FHD 1920 x 1080
Max. Colors	16.7M
Contrast Ratio	800:1
Luminance (cd/m2)	300nits, 600nits

### I/O

USB	USB 3.0 (Type-A) x1, USB 3.0 (Type-C with External Display) x1
Ethernet	Gigabit LAN x1
DC-In	DC-in Jack x1
Docking	Docking Connector x1

### BATTERY PACK

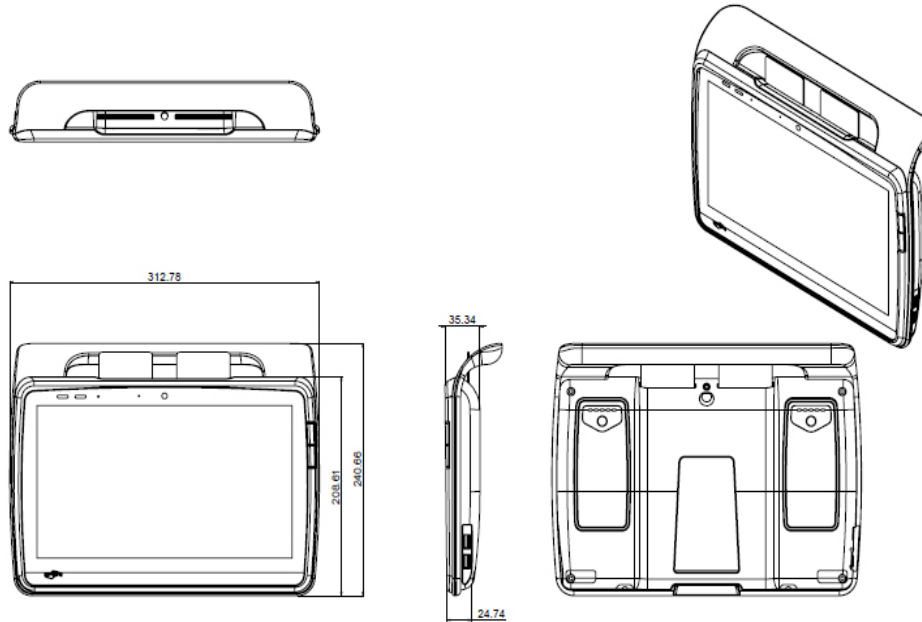
Battery Type	Li-ion
Battery Capacity	4545 mAh (32.72Wh) x2
Battery Run Time	Approx. 8 hrs

### MECHANICAL AND ENVIRONMENTAL

VESA	VESA 75 via docking station
Degree of Protection	IP54
Operating Temperature	0° C ~ 40° C (32° F ~104° F)
Storage Temperature	-20° C ~ 60° C (-4° F ~ 140° F)
Storage Humidity	10%~95%@40°C, non-condensing
Dimensions	312 (W) x 239 (H) x 37 (D) mm
Packing Size	400 x 345 x160 mm
Gross Weight	3 kg (6.6 lb)
Net Weight	Approx. 1.45~1.8 kg (3.2 lb~3.97 lb)
Certifications	CE: EN 60601-1-2:2020 (EMC4.1), EN 60601-1:2020 (Safety 3.2), EN 300 328 (V2.1.1), EN 301 893 (V2.1.1) FCC: Part 18 Class B, Part 15 C/E UL: ANSI/AAMI ES60601-1:2012 (V3.1) CUL: CAN/CSA-C22.2 No. 60601-1:2014 (V3.1)

## 12" Fanless Intel Pentium Medical Tablet

## Dimensions / Unit: mm



## Ordering Information

- ONYX-MD116E-P1-A1-0001  
Tablet.N6415.11.6".FHD.300nits.C-TS(G).SCR.F/R-Camera.RFID.WiFi/BT.Battery(x2)
- ONYX-MD116E-P1-A1-0002  
Tablet.N6415.11.6".FHD.600nits.C-TS(G).SCR.F/R-Camera.RFID.WiFi/BT.Battery(x2)

## Optional Accessories

- 125530120D  
Medical Adaptor.AC/DC.100-240V.12V/ 10A,120W.