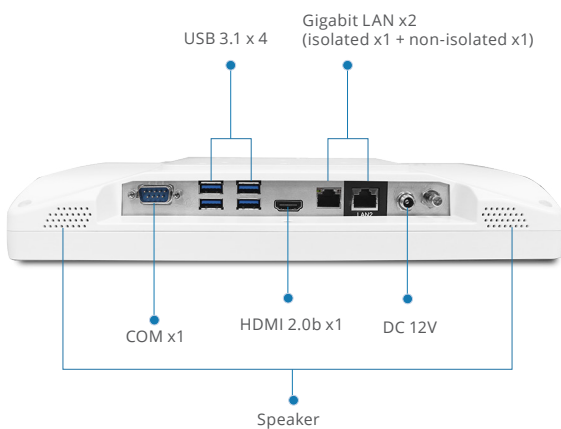


Slim Medical All in One PC

SMA-1233

11.6" Fanless Slim Medical All in One PC



Features

- Intel® Celeron N6210 / Atom x6211E Dual Core Processor
- 11.6" 250-nit WXGA /300-nit FHD LCD
- Supports DDR4 SODIMM up to 32GB (optional In-Band ECC support)
- Capacitive Multi-Touch Screen
- Proprietary PCI Express[x1] Interface
- Easy Cleaning Flat Screen
- 4 Programmable Smart Function Keys
- High Speed USB 3.1 Port
- 2.0M Pixels Camera with Mic (optional)
- HDMI 2.0b Port for 2nd Display
- RFID Reader (optional)
- +12V DC input / Power over Ethernet(optional)

Specifications

MAIN SPECIFICATIONS

| | |
|------------------------|--|
| Processor | Intel® Celeron N6210 2.6GHz / Atom x6211E 3.0GHz Dual Core Processor |
| System Memory | Supports DDR4 3200 SODIMM up to 32GB (In-Band ECC with Atom x6211E) |
| Expansion Interface | M.2 2230(E-key) x 1, Proprietary PCIe[x1] x 1 |
| Storage Disk Drive | M.2 2242 SATA SSD x1 |
| Security | RFID Reader (optional) |
| Wireless Communication | 802.11ac/ax(optional) + Bluetooth 5.1/5.3(optional) |
| Speaker | 2W x 2 |
| Function Key | LCD Brightness Up/Down, Touch Screen On/Off |
| Power Requirement | DC 12V / Power over Ethernet 802.3at Type 2 / PoE+ (optional) |
| OS Support | Windows 10, Windows 11 , Linux |

DISPLAY

| | |
|-----------------------|-----------------------------|
| Size / Type | 11.6" LCD |
| Max. Resolution | 1366 x 768 / 1920 x 1080 |
| Luminance(cd/m2)(TYP) | 250 nits / 400 nits |
| Max. Colors | 16.7 M |
| Viewing Angle | 90(H)/60(V) / 178(H)/178(V) |
| Contrast Ratio | 500:1 / 800:1 |
| Back Light Life Time | > 15,000 hours |
| Touch Screen | Capacitive Multi-Touch |

I/O

| | |
|-------------|--|
| USB | USB 3.1 Gen 1 x4 |
| Serial Port | RS-232 x 1 |
| Ethernet | Gigabit LAN x2 (isolated x1 + non-isolated x1) |
| Video Out | HDMI 2.0b x 1 |

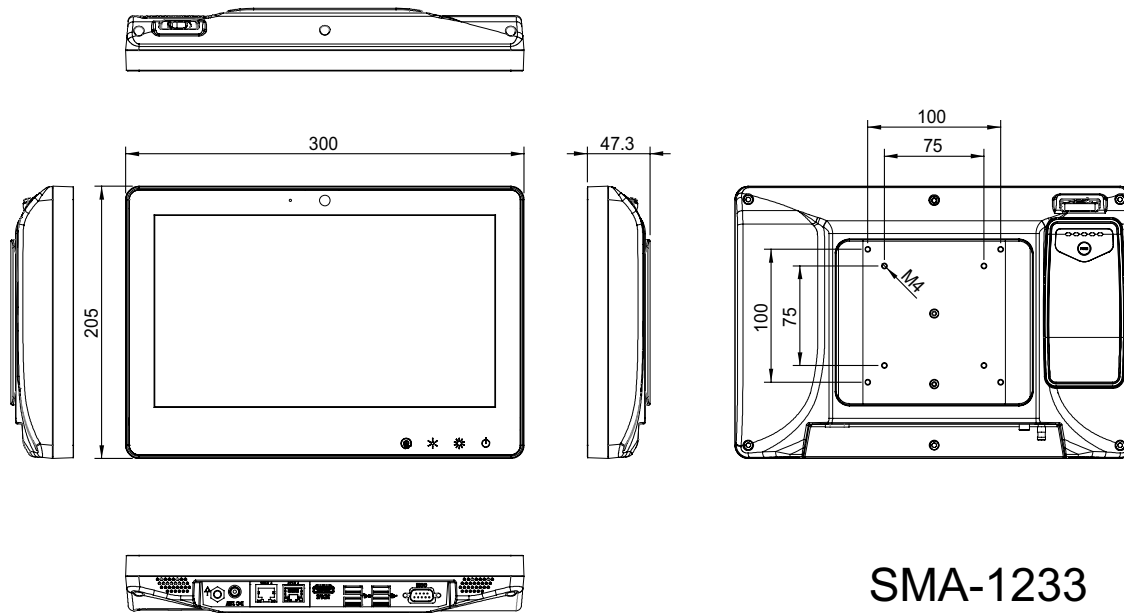
MECHANICAL AND ENVIRONMENTAL

| | |
|-----------------------|----------------------------|
| Power Consumption | Full loading: 28 Watts |
| Operating Temperature | 0°C ~ 40°C(32°F ~ 104°F) |
| Storage Temperature | -20°C ~ 60°C(-4°F ~ 140°F) |
| Mounting | VESA 75/100 mm |
| Degree of Protection | IP65 in the front, IPX1 |
| Dimension | 300 x 205 x 47.3 mm |
| Package Size | 540 x 230 x 370 mm |
| Gross Weight | 4kg (8.82lb) |
| Net Weight | 1.5kg (3.3lb) |

| | |
|----------------|---|
| Certifications | CE: EN 60601-1-2:2015(V4.0), EN 60601-1:2006/A1:2013(V3.1) FCC: Part 18 Class B UL: ANSI/AAMI ES60601-1:2012 (V3.1) cUL: CAN/CSA-C22.2 No. 60601-1:2014 (V3.1) |
|----------------|---|

11.6" Fanless Slim Medical All in One PC

Dimension / Unit: mm



SMA-1233



Ordering Information

- SMA-1233-P1-A1-0010
Slim Medial AIO, 11.6" WXGA LCD, Capacitive Touch, Celeron N6210, DC 12V
- SMA-1233-P1-A2-0010
Slim Medial AIO, 11.6" FHD LCD, Capacitive Touch, Celeron N6210, DC 12V
- SMA-1233-P1-A3-0010
Slim Medial AIO, 11.6" WXGA LCD, Capacitive Touch, Celeron N6210, Battery, DC 12V
- SMA-1233-P1-A4-0010
Slim Medial AIO, 11.6" FHD LCD, Capacitive Touch, Celeron N6210, Battery, DC 12V
- SMA-1233-P1-A5-0010
Slim Medial AIO, 11.6" WXGA LCD, Capacitive Touch, Celeron N6210, Power over Ethernet
- SMA-1233-P1-A6-0010
Slim Medial AIO, 11.6" FHD LCD, Capacitive Touch, Celeron N6210, Power over Ethernet
- SMA-1233-P2-A1-0010
Slim Medial AIO, 11.6" WXGA LCD, Capacitive Touch, Atom x6211E, DC 12V
- SMA-1233-P2-A2-0010
Slim Medial AIO, 11.6" FHD LCD, Capacitive Touch, Atom x6211E, DC 12V
- SMA-1233-P2-A3-0010
Slim Medial AIO, 11.6" WXGA LCD, Capacitive Touch, Atom x6211E, Battery, DC 12V
- SMA-1233-P2-A4-0010
Slim Medial AIO, 11.6" FHD LCD, Capacitive Touch, Atom x6211E, Battery, DC 12V
- SMA-1233-P2-A5-0010
Slim Medial AIO, 11.6" WXGA LCD, Capacitive Touch, Atom x6211E, Power over Ethernet
- SMA-1233-P2-A6-0010
Slim Medial AIO, 11.6" FHD LCD, Capacitive Touch, Atom x6211E, Power over Ethernet

Optional Accessories

- 125530060C
Medical Power Adapter, 60W, 12V
- 1255300841
(AOH)(TF)Medical Power Adaptor.100~240VAC.12VDC.7A.84W.W/ Lock.Adapter.ATM090T-P120 (Level VI)
- OPM-C20W-A9
WLAN Kit.802.11ax(Wi-Fi 6E).w/BT 5.3.dual int. antenna.Intel.AX210.NGWGIE.vPro.for SMA 10"12"15"17"