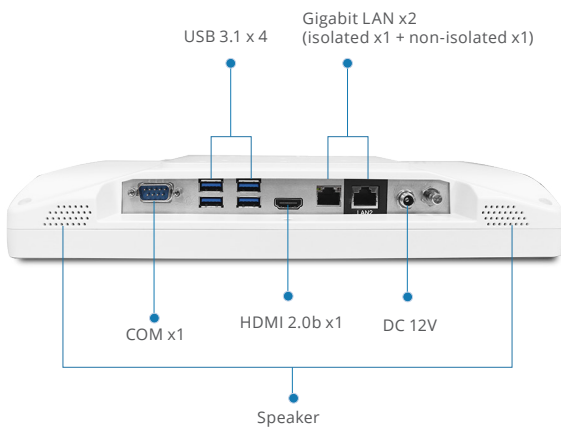
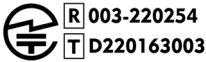


Slim Medical All in One PC

SMA-1233

11.6" Fanless Slim Medical All in One PC



Features

- Intel® Celeron N6210 / Atom x6211E Dual Core Processor
- 11.6" 250-nit WXGA /300-nit FHD LCD
- Supports DDR4 SODIMM up to 32GB (optional In-Band ECC support)
- Capacitive Multi-Touch Screen
- Proprietary PCI Express[x1] Interface
- Easy Cleaning Flat Screen
- 4 Programmable Smart Function Keys
- High Speed USB 3.1 Port
- 2.0M Pixels Camera with Mic (optional)
- HDMI 2.0b Port for 2nd Display
- RFID Reader (optional)
- +12V DC input / Power over Ethernet(optional)

Specifications

MAIN SPECIFICATIONS

Processor	Intel® Celeron N6210 2.6GHz / Atom x6211E 3.0GHz Dual Core Processor
System Memory	Supports DDR4 3200 SODIMM up to 32GB (In-Band ECC with Atom x6211E)
Expansion Interface	M.2 2230(E-key) x 1, Proprietary PCIe[x1] x 1
Storage Disk Drive	M.2 2242 SATA SSD x1
Security	RFID Reader (optional)
Wireless Communication	802.11 a/b/g/n/ac/ax (optional) WiFi 6E + Bluetooth 5.3 (optional)
Speaker	2W x 2
Function Key	LCD Brightness Up/Down, Touch Screen On/Off
Power Requirement	DC 12V / Power over Ethernet 802.3at Type 2 / PoE+ (optional)
OS Support	Windows 10, Windows 11 , Linux

DISPLAY

Size / Type	11.6" LCD
Max. Resolution	1366 x 768 / 1920 x 1080
Luminance(cd/m2)(TYP)	250 nits / 400 nits
Max. Colors	16.7 M
Viewing Angle	90(H)/60(V) / 178(H)/178(V)
Contrast Ratio	500:1 / 800:1
Back Light Life Time	> 15,000 hours
Touch Screen	Capacitive Multi-Touch

I/O

USB	USB 3.1 Gen 1 x4
Serial Port	RS-232 x 1
Ethernet	Gigabit LAN x2 (isolated x1 + non-isolated x1)
Video Out	HDMI 2.0b x 1

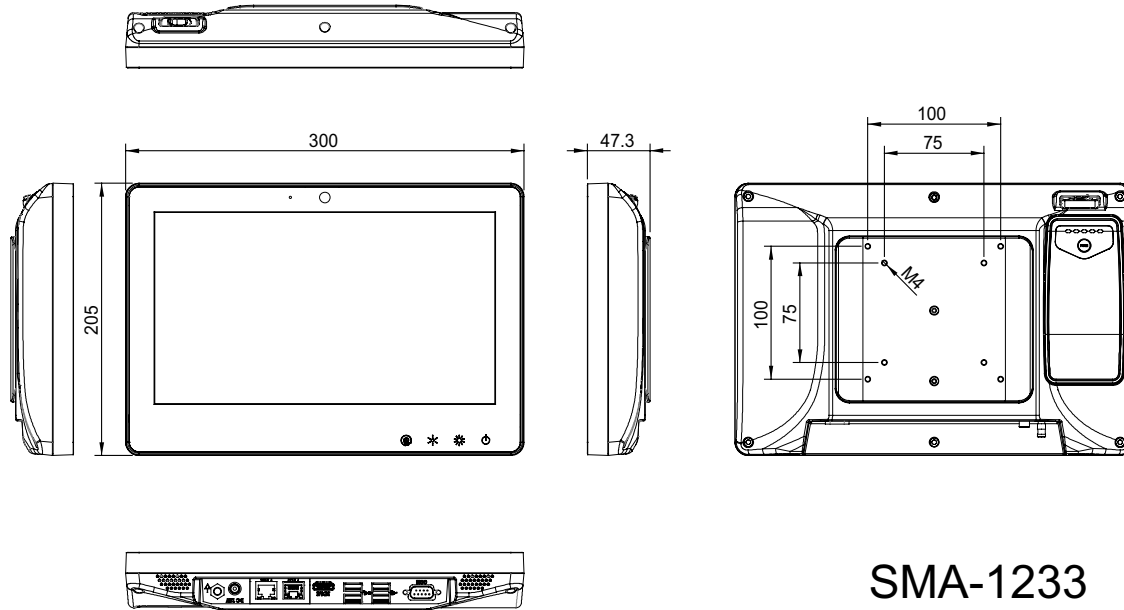
MECHANICAL AND ENVIRONMENTAL

Power Consumption	Full loading: 28 Watts
Operating Temperature	0°C ~ 40°C(32°F ~ 104°F)
Storage Temperature	-20°C ~ 60°C(-4°F ~ 140°F)
Mounting	VESA 75/100 mm
Degree of Protection	IP65 in the front, IPX1
Dimension	300 x 205 x 47.3 mm
Package Size	540 x 230 x 370 mm
Gross Weight	4kg (8.82lb)
Net Weight	1.5kg (3.3lb)

Certifications	CE: EN 60601-1-2: 2015 + A1: 2021 (V4.1), EN 60601-1: 2007 + A1:2013 +A2:2021 (V3.2) EN 55032:2015/A1:2020 EN 55035:2017/A11:2020 (ITE) IEC 62368-1:2020+A11:2020 (ITE) FCC: Part 15B/ Part 18 UL: ANSI AAMI ES60601-1:2005/A1:2012/A2:2021(V3.2) cUL: CAN/CSA-C22.2 No. 60601-1:14 (IEC 60601-1: 2005+A1:2012+A2:2020,MOD) (V3.2) TELEC :JAPAN TELEC
----------------	--

11.6" Fanless Slim Medical All in One PC

Dimension / Unit: mm



SMA-1233



Ordering Information

- SMA-1233-P1-A1-0010
Slim Medial AIO, 11.6" WXGA LCD, Capacitive Touch, Celeron N6210, DC 12V
- SMA-1233-P1-A2-0010
Slim Medial AIO, 11.6" FHD LCD, Capacitive Touch, Celeron N6210, DC 12V
- SMA-1233-P1-A3-0010
Slim Medial AIO, 11.6" WXGA LCD, Capacitive Touch, Celeron N6210, Battery, DC 12V
- SMA-1233-P1-A4-0010
Slim Medial AIO, 11.6" FHD LCD, Capacitive Touch, Celeron N6210, Battery, DC 12V
- SMA-1233-P1-A5-0010
Slim Medial AIO, 11.6" WXGA LCD, Capacitive Touch, Celeron N6210, Power over Ethernet
- SMA-1233-P1-A6-0010
Slim Medial AIO, 11.6" FHD LCD, Capacitive Touch, Celeron N6210, Power over Ethernet
- SMA-1233-P2-A1-0010
Slim Medial AIO, 11.6" WXGA LCD, Capacitive Touch, Atom x6211E, DC 12V
- SMA-1233-P2-A2-0010
Slim Medial AIO, 11.6" FHD LCD, Capacitive Touch, Atom x6211E, DC 12V
- SMA-1233-P2-A3-0010
Slim Medial AIO, 11.6" WXGA LCD, Capacitive Touch, Atom x6211E, Battery, DC 12V
- SMA-1233-P2-A4-0010
Slim Medial AIO, 11.6" FHD LCD, Capacitive Touch, Atom x6211E, Battery, DC 12V
- SMA-1233-P2-A5-0010
Slim Medial AIO, 11.6" WXGA LCD, Capacitive Touch, Atom x6211E, Power over Ethernet
- SMA-1233-P2-A6-0010
Slim Medial AIO, 11.6" FHD LCD, Capacitive Touch, Atom x6211E, Power over Ethernet

Optional Accessories

- 125530060C
Medical Power Adapter, 60W, 12V
- 1255300841
(AOH)(TF)Medical Power Adaptor.100~240VAC.12VDC.7A.84W.W/ Lock.Adapter.ATM090T-P120 (Level VI)
- OPM-C20W-A9
WLAN Kit.802.11ax(Wi-Fi 6E).w/BT 5.3.dual int. antenna.Intel.AX210.NGWGIE.vPro.for SMA 10"12"15"17"