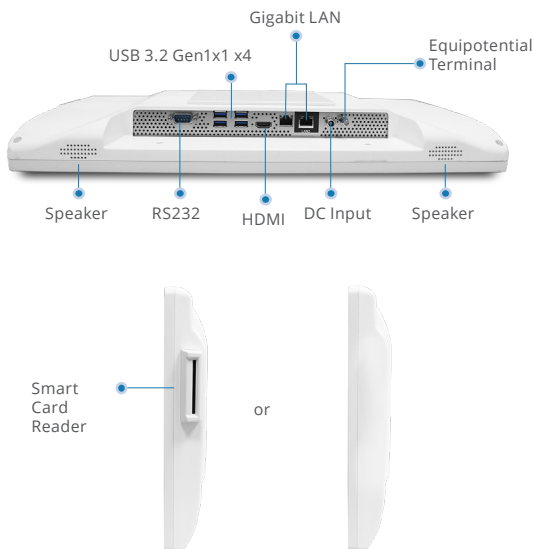
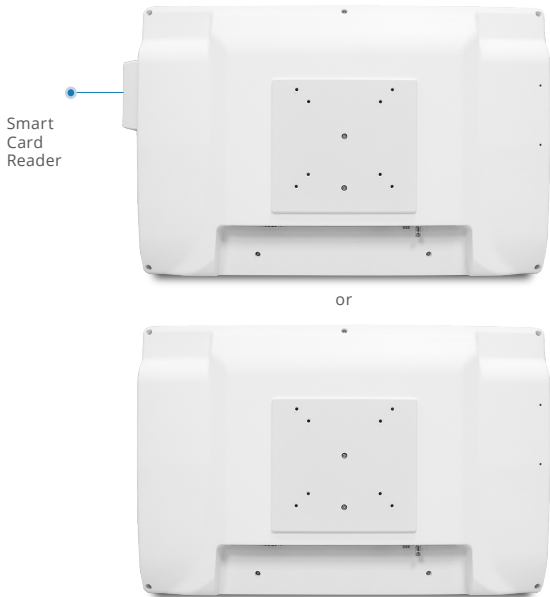


Slim Medical All in One PC

SMA-1833

18.5" Fanless Slim Medical All in One PC



Features

- Intel® Celeron N6210/Atom x6211E /Atom x6425E Processor
- 18.5" High Brightness 350nits Full HD LCD
- Supports DDR4 SODIMM up to 32GB (optional In-Band ECC support)
- Proprietary PCI Express[x1] Interface
- Easy Cleaning Flat Screen
- 4 Programmable Smart Function Keys
- High Speed USB 3.2 Gen 1x1 Ports
- RFID Reader & Smart Card Reader (optional)
- +12V DC input

Specifications

MAIN SPECIFICATIONS

Processor	Intel® Atom x6425E 3.0GHz Quad Core Processor, Intel® Atom x6211E 3.0GHz Dual Core Processor, Intel® Celeron N6210 2.6GHz Dual Core Processor
System Memory	Supports DDR4 SODIMM up to 32GB (optional In-Band ECC Support)
Expansion Interface	M.2 2230(E-key) x 1, Proprietary PCIe[x1] x1(Optional)
Storage Disk Drive	M.2 2242 (B-key) SATA SSD x 1 2.5" SATA SSD x 1(Optional)
Security	TPM2.0, RFID Reader (optional)
Wireless Communication	802.11 a/b/g/n/ac/ax + Bluetooth 5.3 (Optional)
Speaker	Built in Speaker (3Wx2)
Function Key	LCD Brightness Up/Down, Touch Screen On/Off
Power Requirement	DC 12V
OS Support	Windows® 10 and 11, Linux (Optional)

DISPLAY

Size	18.5" TFT LCD
Type	AHVA/ADS
Max. Resolution	1920x 1080(FHD)/1366x 768(WXGA)
Luminance(cd/m ²)(Typ.)	350nits / 250nits
Viewing Angle	178°(H)/178°(V) /170°(H)/160°(V)
Max. Colors	16.7M
Contrast Ratio	1000:1
Back Light Life Time	>50,000 hours / >30,000 hours
Touch Screen	Capacitive Multi-Touch

I/O

USB	USB 3.2 Gen 1x1 x4
Serial Port	RS-232 x 1
Ethernet	Gigabit LAN x2 (Isolated x1 + non-isolated x1)
Video Out	HDMI 2.0b x1

MECHANICAL AND ENVIRONMENTAL

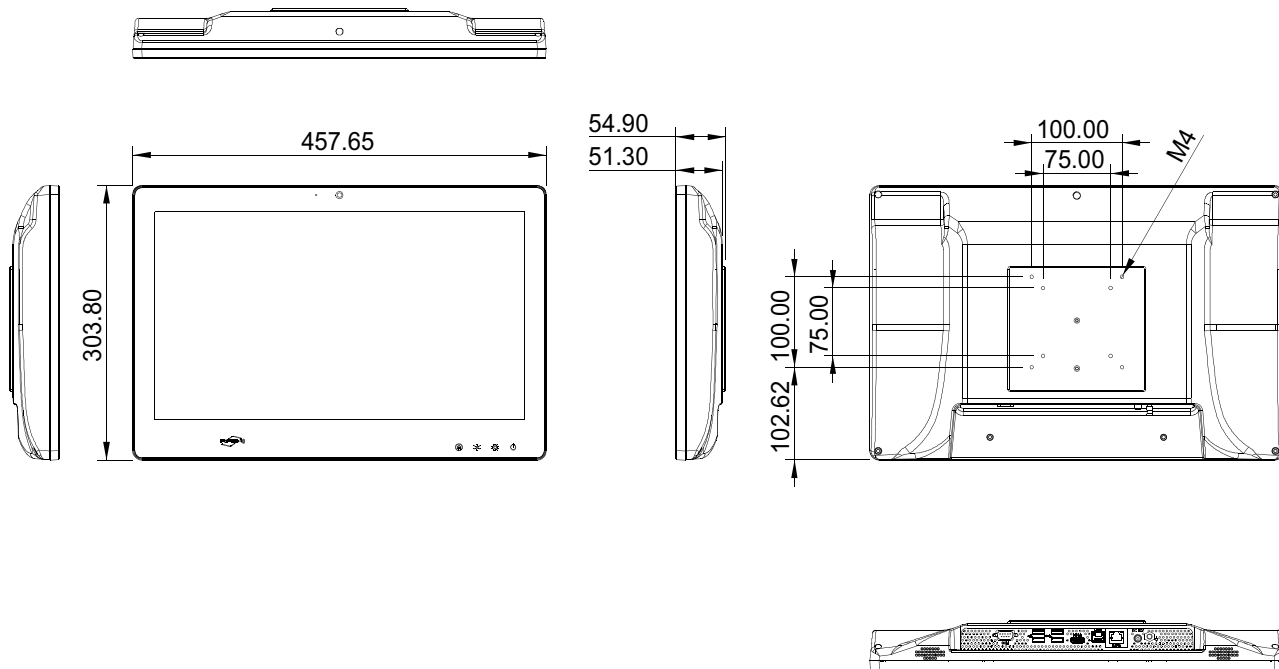
Power Consumption	Full loading:66Watts
Operating Temperature	0°C ~ 40°C(32°F ~ 104°F)
Storage Temperature	-20°C ~ 60°C(-4°F ~ 140°F)
Mounting	VESA 75/100 mm
Degree of Protection	Front IP 65, rear IPX1
Dimension	457 mm x 303 mm x 50mm
Package Size	600 mm x 222mm x 436 mm
Gross Weight	6.3kg (13.9lb)
Net Weight	4.4kg (9.7lb)

Certifications

CE : EN 60601-1-2: 2015 + A1: 2021 (V4.1), EN 60601-1: 2007 + A1:2013 +A2:2021 (V3.2)
EN 55032:2015/A1:2020
EN55035:2017/A11:2020(ITE)
IEC62368-1:2020+A11:2020 (ITE)
FCC : Part 15B/ Part 18
UL : ANSI AAMI ES60601-1:2005/A1:2012/A2:2021(V3.2)
cUL : CAN/CSA-C22.2 No. 60601-1:14 (IEC 60601-1: 2005+A1:2012+A2:2020,MOD) (V3.2)
TELEC : JAPAN TELEC

18.5" Fanless Slim Medical All in One PC

Dimension / Unit: mm



Ordering Information

- SMA-1833-P1-A1-0010
Slim PPC.Celeron N6210.18.5" FHD.DC 12V.PCT
- SMA-1833-P2-A1-0010
Slim PPC.Atom X6211E.18.5" FHD.DC 12V.PCT
- SMA-1833-P3-A1-0010
Slim PPC.Atom X6425E.18.5" FHD.DC 12V.PCT
- SMA-1833-P1-A2-0010
Slim PPC.Celeron N6210.18.5" WXGA.DC 12V.PCT
- SMA-1833-P2-A2-0010
Slim PPC.Atom X6211E.18.5" WXGA.DC 12V.PCT
- SMA-1833-P3-A2-0010
Slim PPC.Atom X6425E.18.5" WXGA.DC 12V.PCT

Optional Accessories

- 1255300841
Medical Power Adapter, 84W, 12V
- OPM-C20W-A9
WLAN Kit, IEEE 802.11 a/b/g/n/ac/ax + Bluetooth 5.3
- OPM-S11R-A3
RFID Reader Kit
- OPM-V08C-A1
2M Pixels Camera with Mic Kit
- OPM-V08C-A2
5M Pixels Camera with Mic Kit